



Series 11, Ceiling-Mounted Units

R22 Technical Data - 50Hz

Table of Contents

Table of Contents	2
Air-cooled Systems	3
Air-cooled Remote Indoor Condensers	5
Air-cooled Remote Outdoor Condensers	5
Air-cooled Remote Indoor Condensing Unit	6
Air-cooled Remote Outdoor Condensing Unit	6
Water-cooled Systems	7
Water-cooled Remote Indoor Condensing Unit	8
Glycol-cooled Systems.....	9
Glycol-cooled Remote Indoor Condensing Unit	10
Chilled Water System	11
Electrical Data - 220Volts/1 Phase/50 Hertz (with standard thermostat)	13
Electrical Data - 220Volts/1 Phase/50 Hertz(with M52 Controller Option).....	14
Appendix A: Dimensional Drawings	15

Air-cooled Systems

Self-contained	11AX10	11AX15	11AX20	11AX25
Split unit - (Requires air-cooled condensing unit)	11AH10	11AH15	11AH20	11AH25
Split unit - (Requires air-cooled condenser)	11DX10	11DX15	11DX20	11DX25

Cooling Capacity - Rated at standard air volume, and 35°C ambient temperature

26°C (79°F) DB, 50%rh

Total	kW	4.0	6.0	6.9	7.7
Sensible	kW	3.4	5.1	6.1	6.8
THR	kW	5.1	7.4	8.5	9.7

26°C (79°F) DB, 45%rh

Total	kW	4.0	5.9	6.8	7.6
Sensible	kW	3.6	5.4	6.5	7.3
THR	kW	5.1	7.3	8.5	9.6

24°C (75°F) DB, 50%rh

Total	kW	3.8	5.7	6.6	7.4
Sensible	kW	3.3	5.0	5.9	6.6
THR	kW	4.9	7.1	8.2	9.3

24°C (75°F) DB, 45%rh

Total	kW	3.8	5.6	6.5	7.3
Sensible	kW	3.6	5.3	6.3	7.1
THR	kW	4.9	7.0	8.1	9.2

22°C (72°F) DB, 50%rh

Total	kW	3.6	5.4	6.2	7.0
Sensible	kW	3.2	4.8	5.7	6.4
THR	kW	4.7	6.8	7.9	8.9

22°C (72°F) DB, 45%rh

Total	kW	3.6	5.3	6.1	6.9
Sensible	kW	3.5	5.1	6.0	6.8
THR	kW	4.7	6.8	7.8	8.9

Fan Section – Impeller backward curved blower system

Standard Air Volume	m ³ /h	850	1275	1615	1870
Quantity of Fans		1	1	1	1
External Static Pressure	Pa	75	75	75	75
Total Fan Motor Power	kW	0.56	0.56	0.56	0.56

Compressor – Refrigerant R22, for self-contained and DX models

Quantity of Compressors		1	1	1	1
Type		Recip.	Scroll	Scroll	Scroll

Evaporator Coil - Copper tube /lanced aluminium fin - Stainless steel drain pan

Face Area	m ²	0.19	0.19	0.19	0.19
Rows Deep		3	3	3	3
Fins per inch	fpi	12	12	12	12
Face Velocity	m/s	1.23	1.85	2.34	2.71
Refrigerant Charge	kg	0.14	0.18	0.20	0.23

Self-contained		11AX10	11AX15	11AX20	11AX25
Split unit - (Requires air-cooled condensing unit)		11AH10	11AH15	11AH20	11AH25
Split unit - (Requires air-cooled condenser)		11DX10	11DX15	11DX20	11DX25
Reheat Section – Electric Reheat - finned tubular type heater, -Optional					
Capacity	kW	5	5	5	5
Quantity of Heaters		1	1	1	1
Humidifier - Electrode boiler type, -Optional					
Steam Generation Capacity	Lb/hr	5.0	5.0	5.0	5.0
Humidifier Power	kW	1.7	1.7	1.7	1.7
Filter Section - Pleated disposable type					
Quantity of Filters		1	1	1	1
Nominal Size	WxHxD mm	508 x 508 x 25.4			
Piping Connection Size					
Liquid Line	- ODM -mm	9.5	9.5	9.5	9.5
Suction Line (11AH**)	- ODM -mm	15.9	15.9	15.9	15.9
Hot Gas Line (11DX**)	- ODM -mm	12.7	12.7	12.7	12.7
Humidifier Water	- ODM -mm	6.4	6.4	6.4	6.4
Condensate Drain	- ODM -mm	19.1	19.1	19.1	19.1
Condenser Coil - Copper tube / aluminium fin (for 11AX** units only)					
Face Area	m ²	0.22	0.22	0.22	0.22
Rows Deep		4	4	4	4
Fins per inch		10	10	10	10
Face Velocity	m/s	1.60	2.79	2.79	2.79
Refrigerant Charge	kg	1.1	1.1	1.1	1.1
Condenser Fan Module Section – Impeller Backward Curved Blower (for 11AX** units only)					
Standard Air Volume	m ³ /h	1270	2210	2210	2210
Quantity of Fans		1	1	1	1
Total Fan Motor Power	kW	0.56	0.56	0.56	0.56
Physical Details					
Width x Depth x Height	mm	603 x 1187 x 552			
Width x Depth x Height	mm	514 x 533 x 451 (condenser fan module with 11AX** only)			
Weight (11AX**)	kg	107	109	111	114
Weight (11DX**)	kg	80	82	84	86
Weight (11AH**)	kg	50	50	50	50

Air-cooled Remote Indoor Condensers – (for use with 11DX**)

		11RC10	11RC15	11RC20	11RC25
Fan Section – Impeller Backward Curved Blower					
Standard Air Volume	m ³ /h	1270	2210	2210	2210
Quantity of Fans		1	1	1	1
Total Fan Motor Power	kW	0.56	0.56	0.56	0.56
Condenser Coil - Copper tube / aluminium fin					
Face Area	m ²	0.22	0.22	0.22	0.22
Rows Deep		4	4	4	4
Fins per inch		10	10	10	10
Face Velocity	m/s	1.60	2.79	2.79	2.79
Normal Refrigerant Charge	kg	1.1	1.1	1.1	1.1
Flooded Refrigerant Charge	kg	2.4	2.4	2.4	2.4
Piping Connection Size					
Liquid Line	- ODM -mm	9.5	9.5	9.5	9.5
Discharge Line	- ODM -mm	12.7	12.7	12.7	12.7
Physical Details					
Width x Depth x Height	mm	610 x 635 x 552			
Weight	kg	34	34	34	34

Air-cooled Remote Outdoor Condensers – (for use with 11DX**)

		11AR10	11AR15	11AR20	11AR25
Fan Section – Impeller Backward Curved Blower					
Standard Air Volume	m ³ /h	2720	2720	2720	3740
Quantity of Fans		1	1	1	
Total Fan Motor Power	kW	0.14	0.14	0.14	0.19
Condenser Coil - Copper tube / aluminium fin					
Face Area	m ²	0.39	0.39	0.39	0.39
Rows Deep		3	3	3	3
Fins per inch		13	13	13	13
Face Velocity	m/s	1.95	1.95	1.95	2.68
Normal Refrigerant Charge	kg	1.4	1.4	1.4	1.4
Flooded Refrigerant Charge	kg	3.1	3.1	3.1	3.1
Piping Connection Size					
Liquid Line	- ODM -mm	9.5	9.5	9.5	9.5
Discharge Line	- ODM -mm	12.7	12.7	12.7	12.7
Physical Details					
Width x Depth x Height	mm	1040 x 330 x 660			
Weight	kg	43	43	43	43

Air-cooled Remote Indoor Condensing Unit – (for use with 11AH**)

		11RU10	11RU15	11RU20	11RU25
Fan Section – Impeller Backward Curved Blower					
Standard Air Volume	m ³ /h	1270	2210	2210	2210
Quantity of Fans	1	1	1	1	
Total Fan Motor Power	kW	0.56	0.56	0.56	0.56
Compressor - Refrigerant R22, Located in remote unit					
Quantity of Compressors		1	1	1	1
Type		Recip.	Scroll	Scroll	Scroll
Condenser Coil - Copper tube / aluminium fin					
Face Area	m ²	0.22	0.22	0.22	0.22
Rows Deep		4	4	4	4
Fins per inch		10	10	10	10
Face Velocity	m/s	1.60	2.79	2.79	2.79
Normal Refrigerant Charge	kg	1.1	1.1	1.1	1.1
Flooded Refrigerant Charge	kg	2.4	2.4	2.4	2.4
Piping Connection Size					
Liquid Line	- ODM -mm	9.5	9.5	9.5	9.5
Suction Line	- ODM -mm	15.9	15.9	15.9	15.9
Physical Details					
Width x Depth x Height	mm			610 x 635 x 552	
Weight	kg	57	59	61	64

Air-cooled Remote Outdoor Condensing Unit – (for use with 11AH**)

		11AC10	11AC15	11AC20	11AC25
Fan Section – Direct drive Propeller Fan					
Standard Air Volume	m ³ /h	2720	2720	2720	3740
Quantity of Fans		1	1	1	1
Total Fan Motor Power	kW	0.14	0.14	0.14	0.19
Compressor - Refrigerant R22, Located in outdoor unit					
Quantity of Compressors		1	1	1	1
Type		Recip.	Scroll	Scroll	Scroll
Condenser Coil - Copper tube / aluminium fin					
Face Area	m ²	0.39	0.39	0.39	0.39
Rows Deep		3	3	3	3
Fins per inch		13	13	13	13
Face Velocity	m/s	1.95	1.95	1.95	2.68
Normal Refrigerant Charge	kg	1.4	1.4	1.4	1.4
Flooded Refrigerant Charge	kg	3.1	3.1	3.1	3.1
Piping Connection Size					
Liquid Line	- ODM -mm	9.5	9.5	9.5	9.5
Suction Line	- ODM -mm	15.9	15.9	15.9	15.9
Physical Details					
Width x Depth x Height	mm			1040 x 330 x 660	
Weight	kg	66	66	66	66

Water-cooled Systems

Self-contained		11WX10	11WX15	11WX20	11WX25
Split unit – (requires water-cooled condensing unit)		11AH10	11AH15	11AH20	11AH25
Cooling Capacity - Rated at standard air volume, 46°C condensing temperature					
79°F (26°C) DB, 50%rh					
Total	kW	4.1	6.1	7.1	8.1
Sensible	kW	3.4	5.2	6.2	7.0
THR	kW	5.2	7.6	8.8	10.0
79°F (26°C) DB, 45%rh					
Total	kW	4.0	6.1	7.0	8.0
Sensible	kW	3.7	5.5	6.6	7.5
THR	kW	5.1	7.5	8.7	9.9
75°F (24°C) DB, 50%rh					
Total	kW	3.8	5.8	6.8	7.7
Sensible	kW	3.3	5.0	6.0	6.8
THR	kW	4.9	7.2	8.4	9.7
75°F (24°C) DB, 45%rh					
Total	kW	3.8	5.7	6.6	7.6
Sensible	kW	3.6	5.3	6.4	7.3
THR	kW	4.9	7.1	8.3	9.5
72°F (22°C) DB, 50%rh					
Total	kW	3.6	5.5	6.4	7.3
Sensible	kW	3.2	4.8	5.8	6.6
THR	kW	4.7	6.9	8.0	9.2
72°F (22°C) DB, 45%rh					
Total	kW	3.6	5.4	6.3	7.2
Sensible	kW	3.5	5.1	6.1	7.0
THR	kW	4.7	6.8	7.9	9.1
Fan Section – Impeller backward curved blower system					
Standard Air Volume	m ³ /h	850	1275	1615	1870
Quantity of Fans		1	1	1	1
External Static Pressure	Pa	75	75	75	75
Total Fan Motor Power	kW	0.56	0.56	0.56	0.56
Compressor – Refrigerant R22, for self-contained and DX models					
Quantity of Compressors		1	1	1	1
Type		Recip.	Scroll	Scroll	Scroll
Evaporator Coil - Copper tube /lanced aluminium fin - Stainless steel drain pan					
Face Area	m ²	0.19	0.19	0.19	0.19
Rows Deep		3	3	3	3
Fins per inch	fpi	12	12	12	12
Face Velocity	m/s	1.23	1.85	2.34	2.71
Refrigerant	kg	0.14	0.18	0.20	0.86
Reheat Section – Electric Reheat - finned tubular type heater, -Optional					
Capacity	kW	5	5	5	5
Quantity of Heaters		1	1	1	1

Self-contained Split unit – (requires water-cooled condensing unit)		11WX10 11AH10	11WX15 11AH15	11WX20 11AH20	11WX25 11AH25
Humidifier - Electrode boiler type, -Optional					
Steam Generation Capacity	Lb/hr	5.0	5.0	5.0	5.0
Humidifier Power	kW	1.7	1.7	1.7	1.7
Filter Section – Pleated disposable type					
Quantity of Filters		1	1	1	1
Nominal Size	WxHxD mm	508 x 508 x 25.4			
Piping Connection Size					
Liquid Line	- ODM -mm	9.5	9.5	9.5	9.5
Suction Line	- ODM -mm	15.9	15.9	15.9	15.9
Humidifier Water	- ODM -mm	19.1	19.1	19.1	19.1
Condensate Drain	- ODM -mm	15.9	15.9	15.9	15.9
Condensing Water	- ODM -mm	22.2	22.2	22.2	22.2
Physical Details					
Width x Depth x Height	mm	603 x 1187 x 552			
Weight (11WX**)	kg	79	82	84	42
Weight (11AH**)	kg	50	50	50	50

Water-cooled Remote Indoor Condensing Unit – (for use with 11AH**)

		11WC10	11WC15	11WC20	11WC25
Compressor - Refrigerant R22, Located in remote unit					
Quantity of Compressors		1	1	1	1
Type		Recip.	Scroll	Scroll	Scroll
Condenser					
Refrigerant Charge	kg	0.59	0.68	0.79	0.86
Condensing Water Requirement (for self-contained units and remote indoor condensing units)					
32.2°C EWT					
Flow Rate	L/s	0.13	0.19	0.17	0.28
Unit Pressure Drop	kPa	24.8	15.7	14.0	29.8
35°C EWT					
Flow Rate	L/s	0.22	0.32	0.46	0.52
Unit Pressure Drop	kPa	53.8	36.4	68.2	76.0
Physical Details Water Regulating Valve - 2-way, head pressure controlled					
Size	mm	19.1	19.1	19.1	19.1
Piping Connection Size					
Liquid Line	- ODM -mm	9.5	9.5	9.5	9.5
Suction Line	- ODM -mm	15.9	15.9	15.9	15.9
Condensing Water	- ODM -mm	22.2	22.2	22.2	22.2
Physical Details					
Width x Depth x Height	mm	1016 x 360 x 660			
Weight	kg	66	66	66	66

Glycol-cooled Systems

Self-contained		11GX10	11GX15	11GX20	11GX25
Split unit – requires glycol-cooled condensing unit		11AH10	11AH15	11AH20	11AH25
Cooling Capacity - Rated at standard air volume					
79°F (26°C) DB, 50%rh					
Total	kW	4.1	6.1	7.1	8.1
Sensible	kW	3.4	5.2	6.2	7.0
THR	kW	5.2	7.6	8.8	10.0
79°F (26°C) DB, 45%rh					
Total	kW	4.0	6.1	7.0	8.0
Sensible	kW	3.7	5.5	6.6	7.5
THR	kW	5.1	7.5	8.7	9.9
75°F (24°C) DB, 50%rh					
Total	kW	3.8	5.8	6.8	7.7
Sensible	kW	3.3	5.0	6.0	6.8
THR	kW	4.9	7.2	8.4	9.7
75°F (24°C) DB, 45%rh					
Total	kW	3.8	5.7	6.6	7.6
Sensible	kW	3.6	5.3	6.4	7.3
THR	kW	4.9	7.1	8.3	9.5
72°F (22°C) DB, 50%rh					
Total	kW	3.6	5.5	6.4	7.3
Sensible	kW	3.2	4.8	5.8	6.6
THR	kW	4.7	6.9	8.0	9.2
72°F (22°C) DB, 45%rh					
Total	kW	3.6	5.4	6.3	7.2
Sensible	kW	3.5	5.1	6.1	7.0
THR	kW	4.7	6.8	7.9	9.1
Fan Section – Impeller backward curved blower system					
Standard Air Volume	m ³ /h	850	1275	1615	1870
Quantity of Fans		1	1	1	1
External Static Pressure	Pa	75	75	75	75
Total Fan Motor Power	kW	0.56	0.56	0.56	0.56
Compressor – Refrigerant R22, for self-contained and DX models					
Quantity of Compressors		1	1	1	1
Type		Recip.	Scroll	Scroll	Scroll
Evaporator Coil - Copper tube /lanced aluminium fin - Stainless steel drain pan					
Face Area	m ²	0.19	0.19	0.19	0.19
Rows Deep		3	3	3	3
Fins per inch	fpi	12	12	12	12
Face Velocity	m/s	1.23	1.85	2.34	2.71
Refrigerant	kg	0.14	0.18	0.20	0.86
Reheat Section – Electric Reheat - finned tubular type heater, -Optional					
Capacity	kW	5	5	5	5
Quantity of Heaters		1	1	1	1

Self-contained Split unit – requires glycol-cooled condensing unit			11GX10 11AH10	11GX15 11AH15	11GX20 11AH20	11GX25 11AH25
Humidifier - Electrode boiler type, -Optional						
Steam Generation Capacity	Lb/hr		5.0	5.0	5.0	5.0
Humidifier Power	kW		1.7	1.7	1.7	1.7
Filter Section – Pleated disposable type						
Quantity of Filters			1	1	1	1
Nominal Size	WxHxD	mm			508 x 508 x 25.4	
Piping Connection Size						
Liquid Line	- ODM	-mm	9.5	9.5	9.5	9.5
Suction Line	- ODM	-mm	15.9	15.9	15.9	15.9
Humidifier Water	- ODM	-mm	6.4	6.4	6.4	6.4
Condensate Drain	- ODM	-mm	19.1	19.1	19.1	19.1
Glycol Solution	- OD	-mm	22.2	22.2	22.2	22.2
Physical Details						
Width x Depth x Height	mm				603 x 1187 x 552	
Weight (11GX**)	kg		79	82	84	42
Weight (11AH**)	kg		50	50	50	50

Glycol-cooled Remote Indoor Condensing Unit – (for use with 11AH**)

			11GC10	11GC15	11GC20	11GC25
Compressor - Refrigerant R22, Located in remote unit						
Quantity of Compressors			1	1	1	1
Type			Recip.	Scroll	Scroll	Scroll
Condenser						
Refrigerant Charge	kg		0.59	0.68	0.79	0.86
Glycol Solution Requirement – 40% ethylene glycol (for self-contained units and remote indoor condensing units)						
35°C EWT						
Flow Rate	L/s		0.11	0.16	0.20	0.11
Unit Pressure Drop	kPa		8.5	23.2	27.3	5.0
40.6°C EWT						
Flow Rate	L/s		0.27	0.47	0.57	0.47
Unit Pressure Drop	kPa		28.6	71.2	87.7	48.0
Glycol Solution Regulating Valve – 2 way, head pressure controlled						
Size	mm		19.1	19.1	19.1	19.1
Piping Connection Size						
Liquid Line	- ODM	-mm	9.5	9.5	9.5	9.5
Suction Line	- ODM	-mm	15.9	15.9	15.9	15.9
Glycol Solution	- OD	-mm	22.2	22.2	22.2	22.2
Physical Details						
Width x Depth x Height	mm				1016 x 360 x 660	
Weight	kg		66	66	66	66

Chilled Water System

Self-contained		11CW10	11CW15	11CW20	11CW25
Cooling Capacity - Rated at standard air volume, 7.2°C (45°F) entering water & 4.5°C (8°F) temperature rise					
26°C (79°F) DB, 50%rh					
Total	kW	5.7	7.9	9.4	10.4
Sensible	kW	4.3	6.1	7.4	8.3
Flow Rate	L/s	0.31	0.42	0.50	0.56
Unit Pressure Drop	kPa	26.0	42.3	57.2	67.8
26°C (79°F) DB, 45%rh					
Total	kW	5.3	7.3	8.8	9.8
Sensible	kW	4.4	6.3	7.7	8.7
Flow Rate	L/s	0.28	0.40	0.47	0.52
Unit Pressure Drop	kPa	23.1	38.6	51.3	61.1
24°C (75°F) DB, 50%rh					
Total	kW	4.4	6.2	7.3	8.2
Sensible	kW	3.7	5.3	6.5	7.3
Flow Rate	L/s	0.24	0.33	0.40	0.44
Unit Pressure Drop	kPa	16.9	29.2	38.6	46.6
24°C (75°F) DB, 45%rh					
Total	kW	4.2	5.8	6.8	7.3
Sensible	kW	3.9	5.5	6.7	7.3
Flow Rate	L/s	0.23	0.31	0.37	0.40
Unit Pressure Drop	kPa	14.7	26.0	34.4	38.6
22°C (72°F) DB, 50%rh					
Total	kW	3.6	4.9	5.7	6.2
Sensible	kW	3.3	4.7	5.7	6.2
Flow Rate	L/s	0.20	0.26	0.31	0.33
Unit Pressure Drop	kPa	11.3	20.1	26.0	30.3
22°C (72°F) DB, 45%rh					
Total	kW	3.3	4.6	5.6	6.2
Sensible	kW	3.3	4.6	5.6	6.2
Flow Rate	L/s	0.18	0.25	0.30	0.33
Unit Pressure Drop	kPa	10.1	17.8	24.9	28.5
Fan Section – Impeller Backward Curved Blower					
Standard Air Volume	m ³ /h	850	1275	1615	1870
Quantity of Fans		1	1	1	1
External Static Pressure	Pa	75	75	75	75
Total Fan Motor Power	kW	0.56	0.56	0.56	0.56

Self-contained		11CW10	11CW15	11CW20	11CW25
<i>Evaporator Coil - Copper tube /lanced aluminium fin - Stainless steel drain pan</i>					
Face Area	m ²	0.19	0.19	0.19	0.19
Rows Deep		3	3	3	3
Fins per inch	fpi	12	12	12	12
Face Velocity	m/s	1.23	1.85	2.34	2.71
<i>Reheat Section - Electric Reheat - finned tubular type heater, -Optional</i>					
Capacity	kW	5	5	5	5
Quantity of Heaters		1	1	1	1
<i>Humidifier - Electrode boiler type, -Optional</i>					
Steam Generation Capacity	Lb/hr	5.0	5.0	5.0	5.0
Humidifier Power	kW	1.7	1.7	1.7	1.7
<i>Filter Section - Pleated disposable type</i>					
Quantity of Filters		1	1	1	1
Nominal Size	WxHxD mm			508 x 508 x 25.4	
<i>Piping Connection Size</i>					
Chilled Water	- ODM -mm	15.9	15.9	15.9	15.9
Humidifier Water	- ODM -mm	6.4	6.4	6.4	6.4
Condensate Drain	- ODM -mm	19.1	19.1	19.1	19.1
<i>Chilled-water Valve - 2-Way modulating</i>					
Valve Size	mm	12.7	12.7	12.7	12.7
<i>Physical Details</i>					
Width x Depth x Height	mm			603 x 1187 x 552	
Weight	kg	50	50	50	50

Electrical Data - 220Volts/1 Phase/50 Hertz *(with standard thermostat)*

Indoor Units with Compressor *

Model	11AX10			11AX15			11AX20			11AX25		
	FLA	MCA	MFS	FLA	MCA	MFS	FLA	MCA	MFS	FLA	MCA	MFS
Electric	27.1	33.4	35	27.1	33.4	35	27.1	33.4	35	27.1	33.4	35
None	10.4	12.5	15	14.4	17.5	25	15.8	19.2	30	18.7	22.8	35

Model	11WX/GX/DX10			11WX/GX/DX15			11WX/GX/DX20			11WX/GX/DX25		
	FLA	MCA	MFS	FLA	MCA	MFS	FLA	MCA	MFS	FLA	MCA	MFS
Electric	24.9	31.2	35	24.9	31.2	35	24.9	31.2	35	24.9	33.4	35
None	8.2	10.3	15	12.2	15.3	20	13.6	17.0	25	16.5	20.6	30

Indoor Units without Compressor *

Model	11AH/CW10			11AH/CW15			11AH/CW20			11AH/CW25		
	FLA	MCA	MFS	FLA	MCA	MFS	FLA	MCA	MFS	FLA	MCA	MFS
Electric	24.9	31.2	35	24.9	31.2	35	24.9	31.2	35	24.9	31.2	35
None	2.2	2.8	15	2.2	2.8	15	2.2	2.8	15	2.2	2.8	15

Condensing Unit *

Model	11RU/AC/WC/GC10			11RU/AC/WC/GC15			11RU/AC/WC/GC20			11RU/AC/WC/GC25		
	FLA	MCA	MFS	FLA	MCA	MFS	FLA	MCA	MFS	FLA	MCA	MFS
Air-Cooled (11RU...)	8.2	9.7	15	12.2	14.7	20	13.6	16.5	25	16.5	20.1	30
Air-Cooled (11AC...)	7.3	8.8	15	11.3	13.8	20	12.7	15.6	25	15.6	19.2	30
Water-Cooled (11W...)	6.0	7.5	15	10.0	12.5	20	11.4	14.3	25	14.3	17.9	30
Glycol-Cooled (11G...)	6.0	7.5	15	10.0	12.5	20	11.4	14.3	25	14.3	17.9	30

Condenser *

Model	11RC/AR10			11RC/AR15			11RC/AR20			11RC/AR25		
	FLA	MCA	MFS	FLA	MCA	MFS	FLA	MCA	MFS	FLA	MCA	MFS
Air cooled (11RC...)	2.2	2.8	15	2.2	2.8	15	2.2	2.8	15	2.2	2.8	15
Air cooled (11AR...)	1.3	1.6	15	1.3	1.6	15	1.3	1.6	15	1.3	1.6	15

* FLA is based on full load current of individual components that result in maximum electrical load condition during normal operation.
FLA = Full Load Amps, MCA = Minimum Circuit Ampacity, MFS = Maximum Fuse Size

Electrical Data - 220Volts/1 Phase/50 Hertz (with M52 Controller Option)

Indoor Units with Compressor *

Model	11AX10			11AX15			11AX20			11AX25		
	FLA	MCA	MFS	FLA	MCA	MFS	FLA	MCA	MFS	FLA	MCA	MFS
Electric / Boiler	33.7	40.9	45	37.7	45.9	50	39.1	47.6	50	42.0	51.3	60
Electric / None	33.7	40.9	45	37.7	45.9	50	39.1	47.6	50	42.0	51.3	60
None / Boiler	18.7	22.1	25	22.7	27.1	35	24.1	28.9	35	27.0	32.5	40
None / None	11.0	12.5	15	15.0	17.5	25	16.4	19.2	30	19.3	22.8	35

Model	11WX/GX/DX10			11WX/GX/DX15			11WX/GX/DX20			11WX/GX/DX25		
	FLA	MCA	MFS	FLA	MCA	MFS	FLA	MCA	MFS	FLA	MCA	MFS
Electric / Boiler	31.5	38.7	45	35.5	43.7	45	36.9	45.4	50	39.8	49.1	60
Electric / None	31.5	38.7	45	35.5	43.7	45	36.9	45.4	50	39.8	49.1	60
None / Boiler	16.5	19.9	25	20.5	24.9	30	21.9	26.7	35	24.8	30.3	40
None / None	8.8	10.3	15	12.8	15.3	25	14.2	17.0	25	17.1	20.6	30

Indoor Units without Compressor *

Model	11AH/CW10			11AH/CW15			11AH/CW20			11AH/CW25		
	FLA	MCA	MFS	FLA	MCA	MFS	FLA	MCA	MFS	FLA	MCA	MFS
Electric / Boiler	33.2	39.5	45	33.2	39.5	45	33.2	39.5	45	33.2	39.5	45
Electric / None	25.5	31.8	35	25.5	31.8	35	25.5	31.8	35	25.5	31.8	35
None / Boiler	10.5	13.0	15	10.5	13.0	15	10.5	13.0	15	10.5	13.0	15
None / None	2.8	3.3	15	2.8	3.3	15	2.8	3.3	15	2.8	3.3	15

Condensing Unit *

Model	11RU/AC/WC/GC10			11RU/AC/WC/GC15			11RU/AC/WC/GC20			11RU/AC/WC/GC25		
	FLA	MCA	MFS	FLA	MCA	MFS	FLA	MCA	MFS	FLA	MCA	MFS
Air-Cooled (11RU...)	8.2	9.7	15	12.2	14.7	20	13.6	16.5	25	16.5	20.1	30
Air-Cooled (11AC...)	7.3	8.8	15	11.3	13.8	20	12.7	15.6	25	15.6	19.2	30
Water-Cooled (11W...)	6.0	7.5	15	10.0	12.5	20	11.4	14.3	25	14.3	17.9	30
Glycol-Cooled (11G...)	6.0	7.5	15	10.0	12.5	20	11.4	14.3	25	14.3	17.9	30

Condenser *

Model	11RC/AR10			11RC/AR15			11RC/AR20			11RC/AR25		
	FLA	MCA	MFS	FLA	MCA	MFS	FLA	MCA	MFS	FLA	MCA	MFS
Air-Cooled (11RC..)	2.2	2.8	15	2.2	2.8	15	2.2	2.8	15	2.2	2.8	15
Air-Cooled (11AR..)	1.3	1.6	15	1.3	1.6	15	1.3	1.6	15	1.3	1.6	15

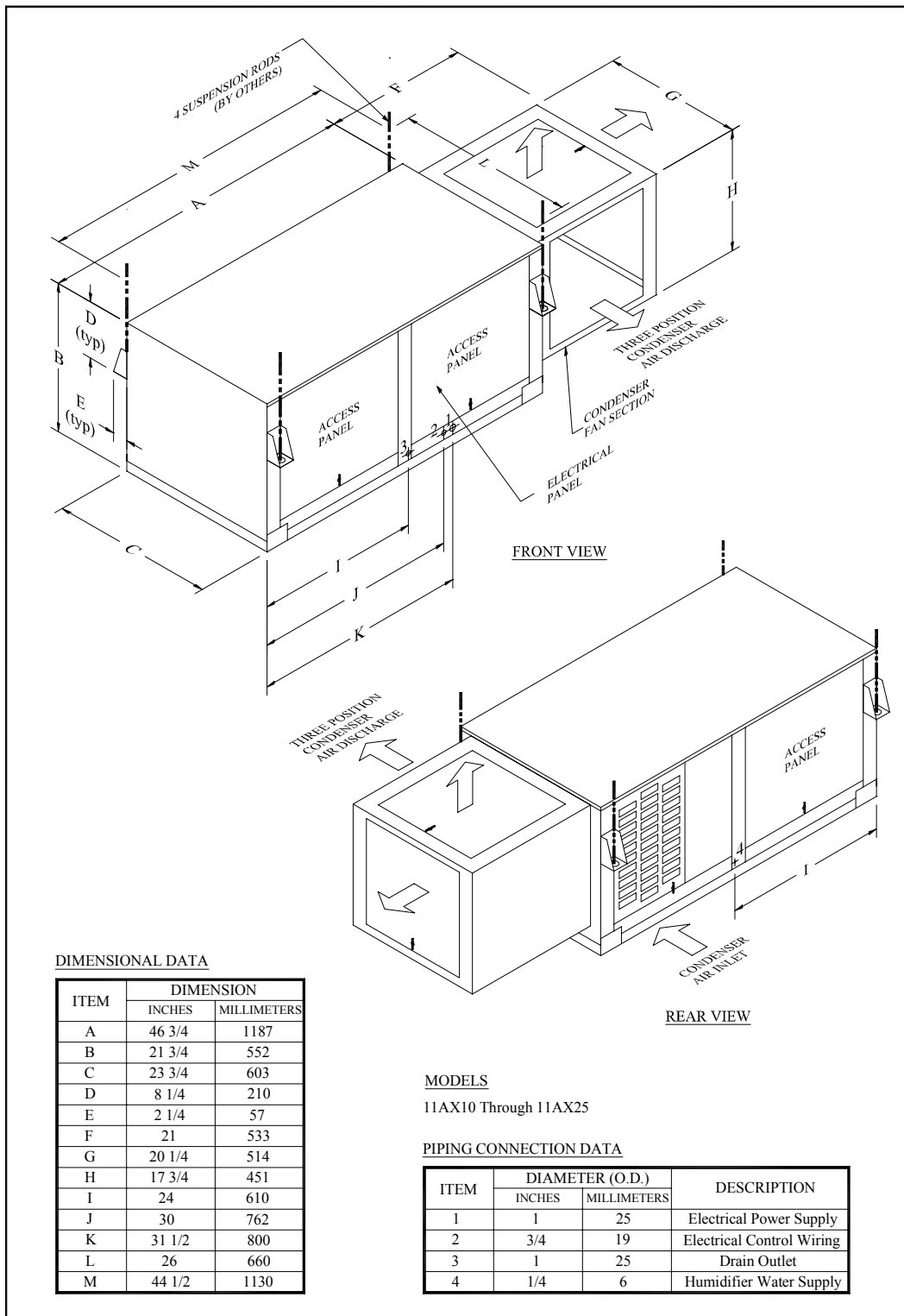
* FLA is based on full load current of individual components that result in maximum electrical load condition during normal operation.
FLA = Full Load Amps, MCA = Minimum Circuit Ampacity, MFS = Maximum Fuse Size

Appendix A: Dimensional Drawings

<u>Drawing Title</u>	<u>Drawing No.</u>	<u>Page No.</u>
SERIES 11: Self-contained air-cooled unit	S11DD101D	38
SERIES 11: Ducted self-contained air-cooled unit	S11DD152B	39
SERIES 11: Self-contained water/glycol-cooled unit	S11DD111C	3:
SERIES 11: Chilled water unit	S11DD121C	3;
SERIES 11: Indoor evap. section w/ compressor	S11DD131C	22
SERIES 11: Indoor evaporator section	S11DD141C	23
SERIES 11: Ducted evaporator connections	S11DD151C	24
SERIES 11: Outdoor condenser/condensing unit	S11DD201C	25
SERIES 11: Indoor condenser/condensing unit	S11DD161B	26
SERIES 11: Air Grille Distribution	S11DD171B	27



SERIES 11- CEILING MOUNTED UNIT
SELF-CONTAINED AIR-COOLED UNIT



DIMENSIONAL DATA

ITEM	DIMENSION	
	INCHES	MILLIMETERS
A	46 3/4	1187
B	21 3/4	552
C	23 3/4	603
D	8 1/4	210
E	2 1/4	57
F	21	533
G	20 1/4	514
H	17 3/4	451
I	24	610
J	30	762
K	31 1/2	800
L	26	660
M	44 1/2	1130

MODELS

11AX10 Through 11AX25

PIPING CONNECTION DATA

ITEM	DIAMETER (O.D.)		DESCRIPTION
	INCHES	MILLIMETERS	
1	1	25	Electrical Power Supply
2	3/4	19	Electrical Control Wiring
3	1	25	Drain Outlet
4	1/4	6	Humidifier Water Supply

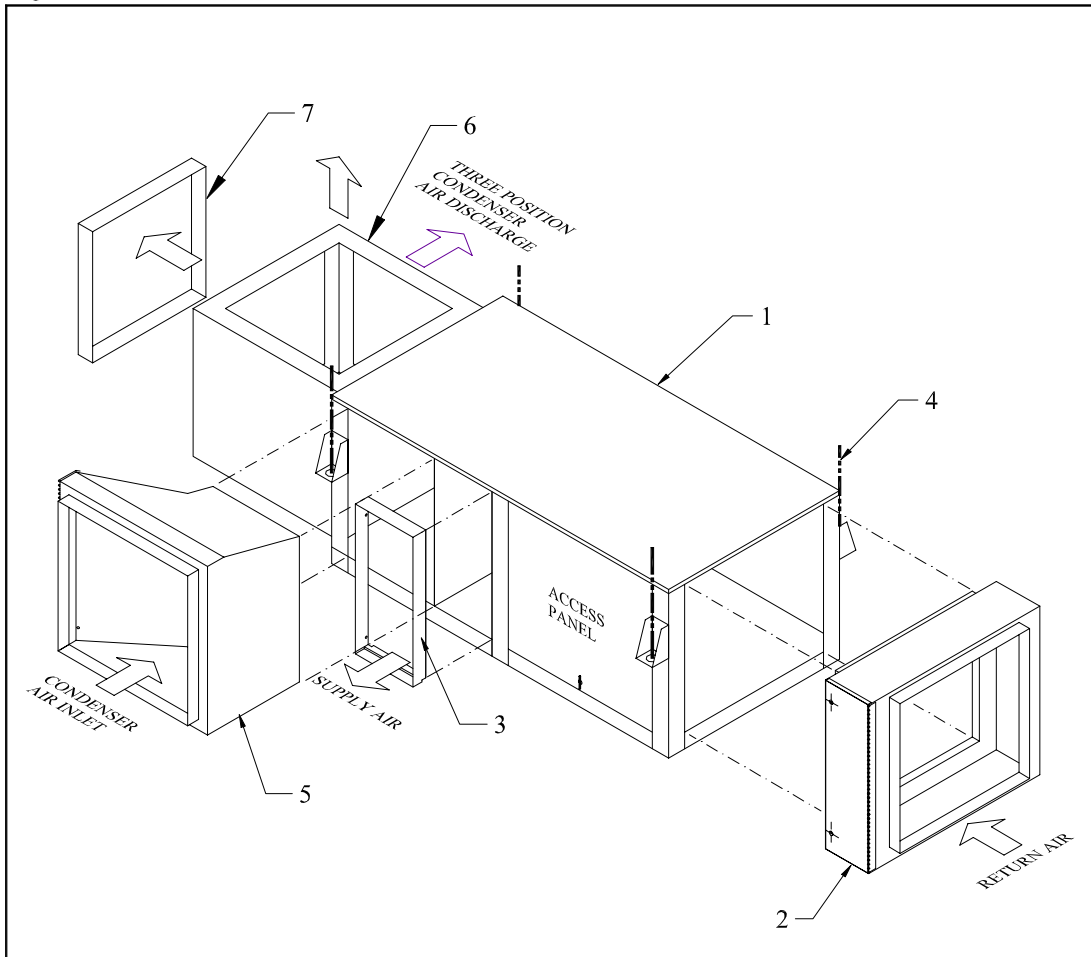
S11DD101D

11 NOVEMBER 2002

NOT TO SCALE



SERIES 11- CEILING MOUNTED UNIT
DUCTED EVAPORATOR AND CONDENSER CONNECTIONS



REAR VIEW

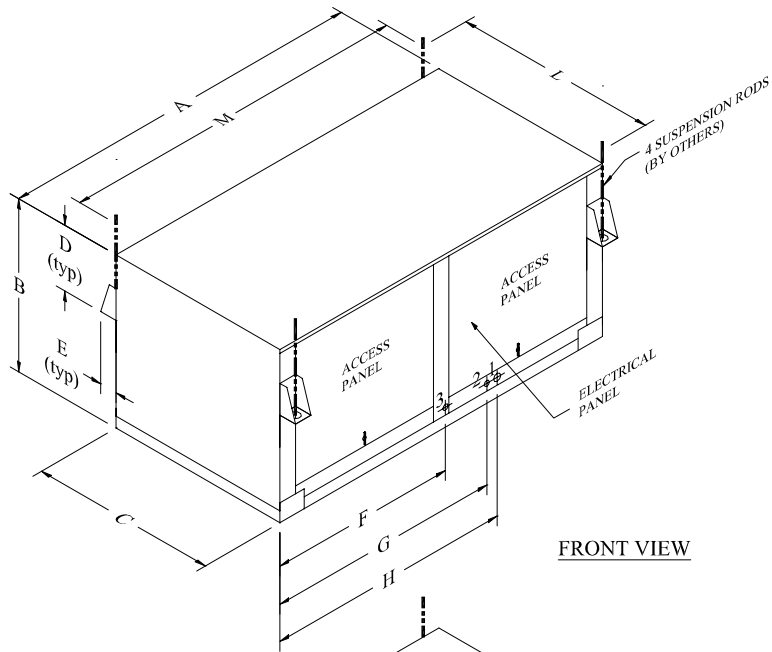
ITEM	DESCRIPTION	DUCT CONNECTION SIZE	
		INCHES	MILLIMETERS
1	Main Unit	--	--
2	Return Air Filter Box for Evaporator	18 x 18	457 x 457
3	Supply Air Duct Collar	8 x 18	203 x 457
4	Suspension Rods (By Others)	--	--
5	Return Air Filter Box for Condenser	18 x 18	457 x 457
6	In Door Air-cooled Fan Box	--	--
7	Discharge Air Duct Collar	15 3/4 x 15 3/4	400 x 400

MODELS

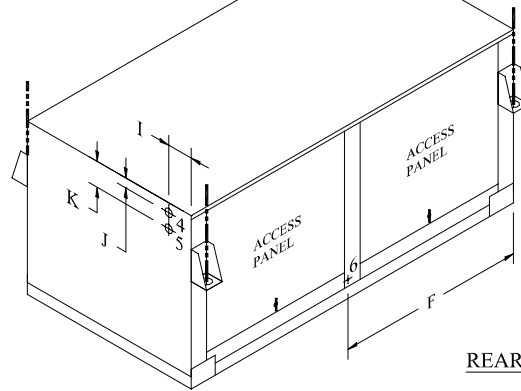
Applicable for all Series 11 units, size 10 through 25



**SERIES 11- CEILING MOUNTED UNIT
SELF-CONTAINED WATER/GLYCOL-COOLED UNIT**



FRONT VIEW



REAR VIEW

DIMENSIONAL DATA

ITEM	DIMENSION	
	INCHES	MILLIMETERS
A	46 3/4	1187
B	21 3/4	552
C	23 3/4	603
D	8 1/4	210
E	2 1/4	57
F	24	610
G	30	762
H	31 1/2	800
I	3 1/4	83
J	1 1/4	32
K	3 1/4	83
L	26	660
M	44 1/2	1130

PIPING CONNECTION DATA

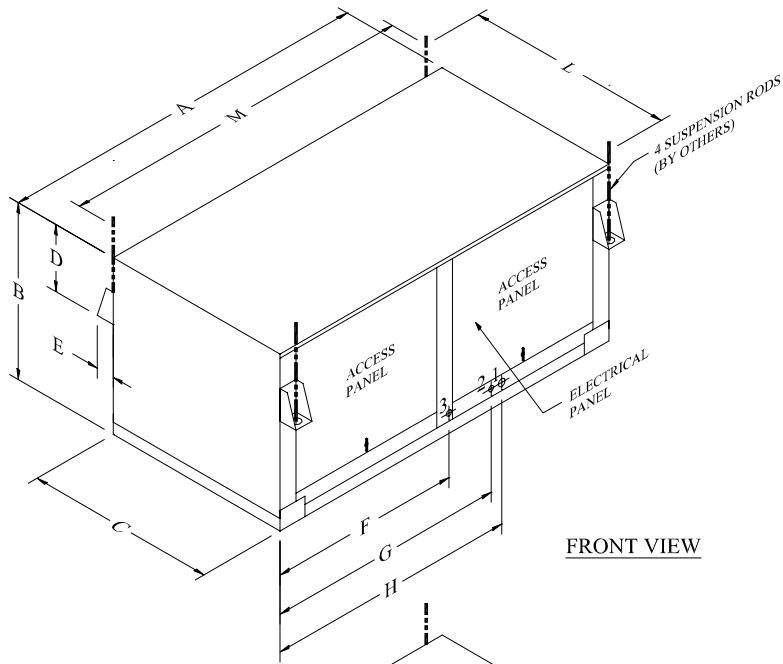
ITEM	DIAMETER (O.D.)		DESCRIPTION
	INCHES	MILLIMETERS	
1	1	25	Electrical Power Supply
2	3/4	19	Electrical Control Wiring
3	1	25	Drain Outlet
4	1 1/8	32	Water/Glycol Supply
5	1 1/8	32	Water/Glycol Return
6	1/4	6	Humidifier Water Supply

MODELS

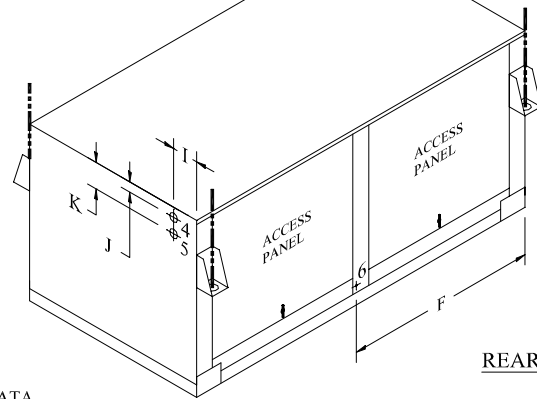
11WX10 through 11WX25
11GX10 through 11GX25



SERIES 11- CEILING MOUNTED UNIT
CHILLED WATER UNIT



FRONT VIEW



REAR VIEW

DIMENSIONAL DATA

ITEM	DIMENSION	
	INCHES	MILLIMETERS
A	46 3/4	1187
B	21 3/4	552
C	23 3/4	603
D	8 1/4	210
E	2 1/4	57
F	24	610
G	30	762
H	31 1/2	800
I	3 1/4	83
J	1 1/4	32
K	3 1/4	83
L	26	660
M	44 1/2	1130

PIPING CONNECTION DATA

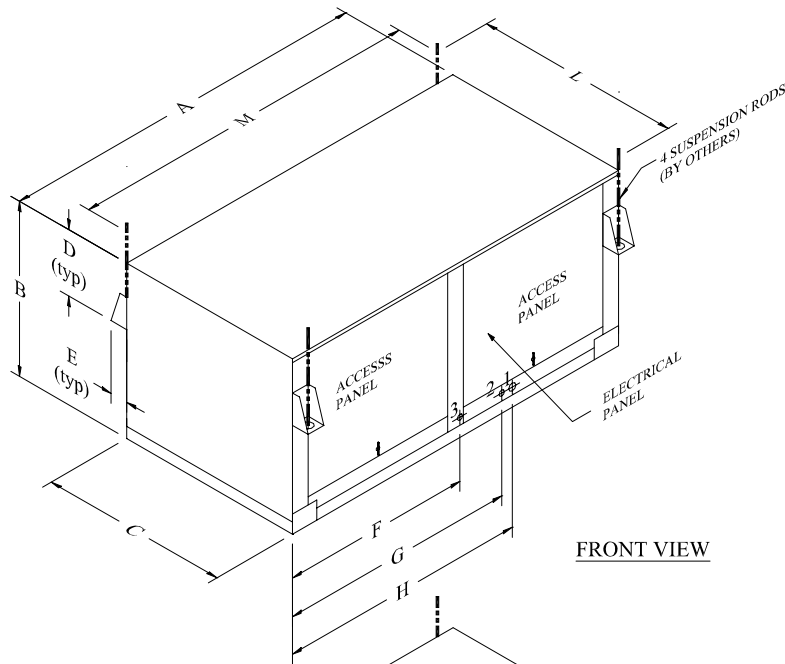
ITEM	DIAMETER (O.D.)		DESCRIPTION
	INCHES	MILLIMETERS	
1	1	25	Electrical Power Supply
2	3/4	19	Electrical Control Wiring
3	1	25	Drain Outlet
4	1 1/8	32	Chilled Water Supply
5	1 1/8	32	Chilled Water Return
6	1/4	6	Humidifier Water Supply

MODELS

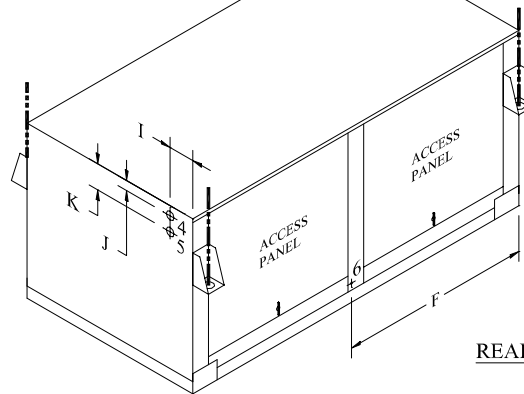
11CW10 through 11CW25



**SERIES 11- CEILING MOUNTED UNIT
INDOOR EVAPORATOR SECTION w/ COMPRESSOR**



FRONT VIEW



REAR VIEW

DIMENSIONAL DATA

ITEM	DIMENSION	
	INCHES	MILLIMETERS
A	46 3/4	1187
B	21 3/4	552
C	23 3/4	603
D	8 1/4	210
E	2 1/4	57
F	24	610
G	30	762
H	31 1/2	800
I	3 1/4	83
J	1 1/4	32
K	3 1/4	83
L	26	660
M	44 1/2	1130

PIPING CONNECTION DATA

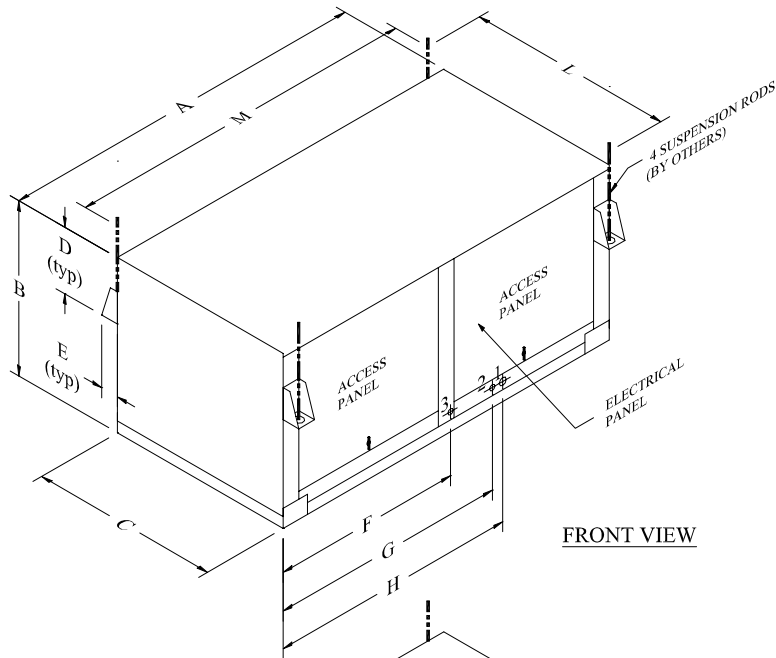
ITEM	DIAMETER (O.D.)		DESCRIPTION
	INCHES	MILLIMETERS	
1	1	25	Electrical Power Supply
2	3/4	19	Electrical Control Wiring
3	1	25	Drain Outlet
4	3/8	10	Liquid Line
5	1/2	13	Hot Gas Line
6	1/4	6	Humidifier Water Supply

MODELS

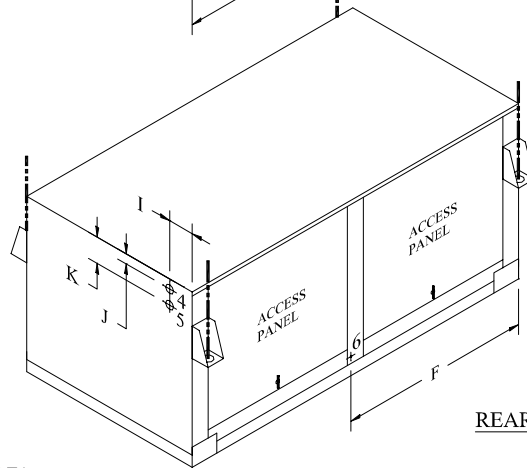
11DX10 through 11DX25



**SERIES 11- CEILING MOUNTED UNIT
INDOOR EVAPORATOR SECTION**



FRONT VIEW



REAR VIEW

DIMENSIONAL DATA

ITEM	DIMENSION	
	INCHES	MILLIMETERS
A	46 3/4	1187
B	21 3/4	552
C	23 3/4	603
D	8 1/4	210
E	2 1/4	57
F	24	610
G	30	762
H	31 1/2	800
I	3 1/4	83
J	1 1/4	32
K	3 1/4	83
L	26	660
M	44 1/2	1130

PIPING CONNECTION DATA

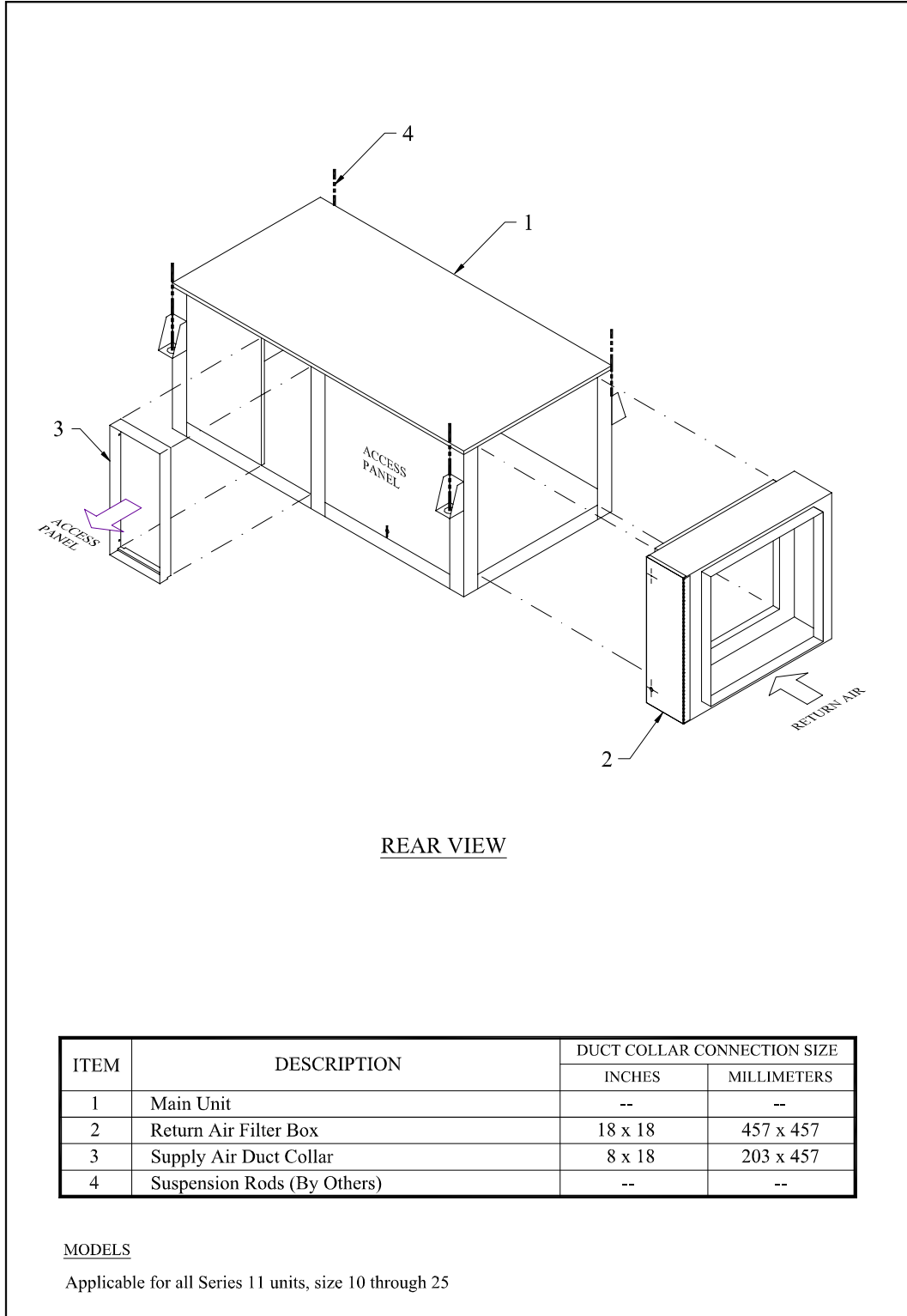
ITEM	DIAMETER (O.D.)		DESCRIPTION
	INCHES	MILLIMETERS	
1	1	25	Electrical Power Supply
2	3/4	19	Electrical Control Wiring
3	1	25	Drain Outlet
4	3/8	10	Liquid Line
5	5/8	16	Suction Line
6	1/4	6	Humidifier Water Supply

MODELS

11AH10 through 11AH25



SERIES 11- CEILING MOUNTED UNIT
DUCTED EVAPORATOR CONNECTIONS



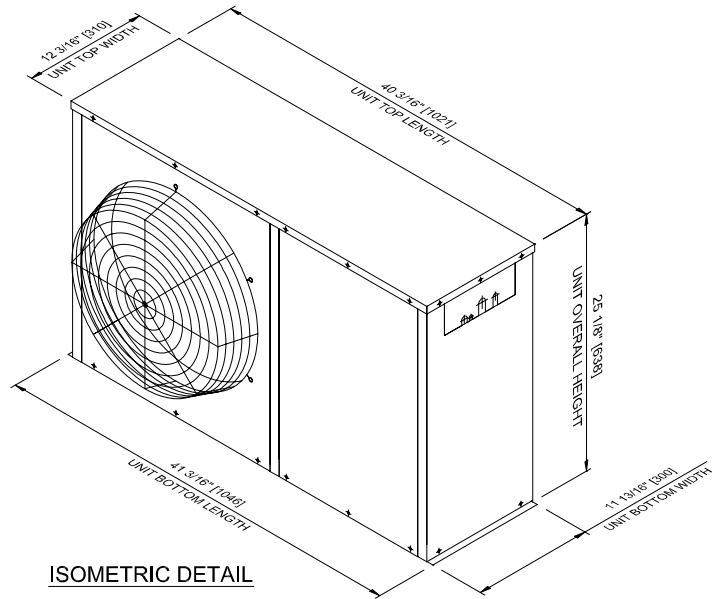
S11DD151C

12 NOVEMBER 2002

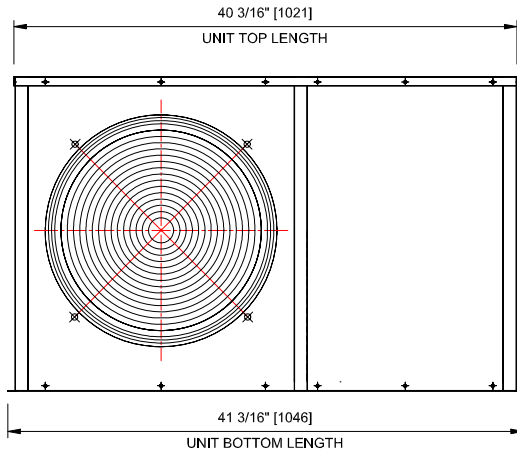
NOT TO SCALE



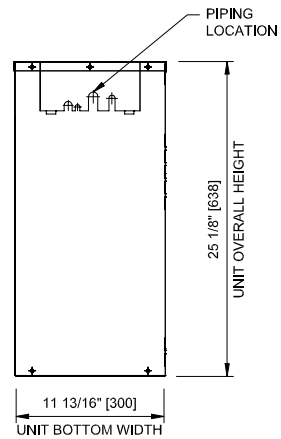
**SERIES 11 - DIMENSIONAL DETAIL
OUTDOOR CONDENSER / CONDENSING UNIT**



ISOMETRIC DETAIL



FRONT PANEL DETAIL



SIDE PANEL DETAIL

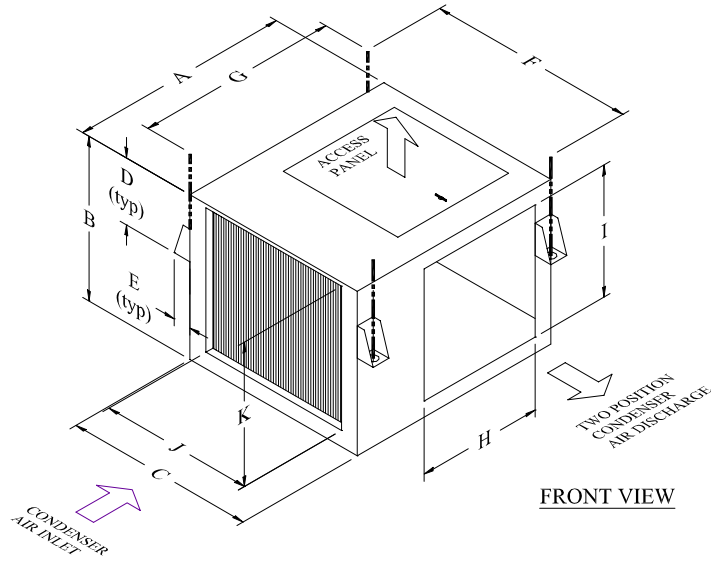
PIPING CONNECTION SIZE

MODEL NO. SUFFIX		11AC10	11AR10	11AC15	11AR15	11AC20	11AR20	11AC25	11AR25
Liquid Line	-ODM in	3/8"	3/8"	3/8"	3/8"	3/8"	3/8"	3/8"	3/8"
Suction Line	-ODM in	-	5/8"	-	5/8"	-	5/8"	-	5/8"
Discharge Line	-ODM in	1/2"	-	1/2"	-	1/2"	-	1/2"	-
Condenser Water	-ODM in	-	-	-	-	-	-	-	-
Glycol Solution	-ODM in	-	-	-	-	-	-	-	-

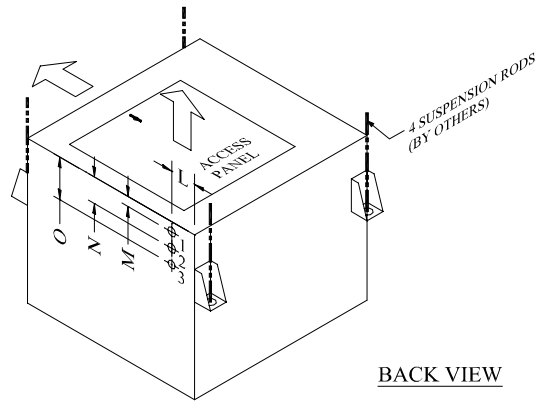
ODM - Outside Diameter of copper pipe in inches for soldering



SERIES 11- CEILING MOUNTED UNIT
INDOOR CONDENSING UNIT/ CONDENSER



FRONT VIEW



BACK VIEW

DIMENSIONAL DATA

ITEM	DIMENSION	
	INCHES	MILLIMETERS
A	24 1/2	622
B	20 1/4	514
C	23 3/4	603
D	8 1/4	210
E	2 1/4	57
F	26	660
G	25 1/4	641
H	20	508
I	17 1/4	438
J	19 1/4	489
K	17 3/4	451
L	3 1/4	83
M	1 1/4	32
N	3 1/4	83
O	5 1/4	133

PIPING CONNECTION DATA

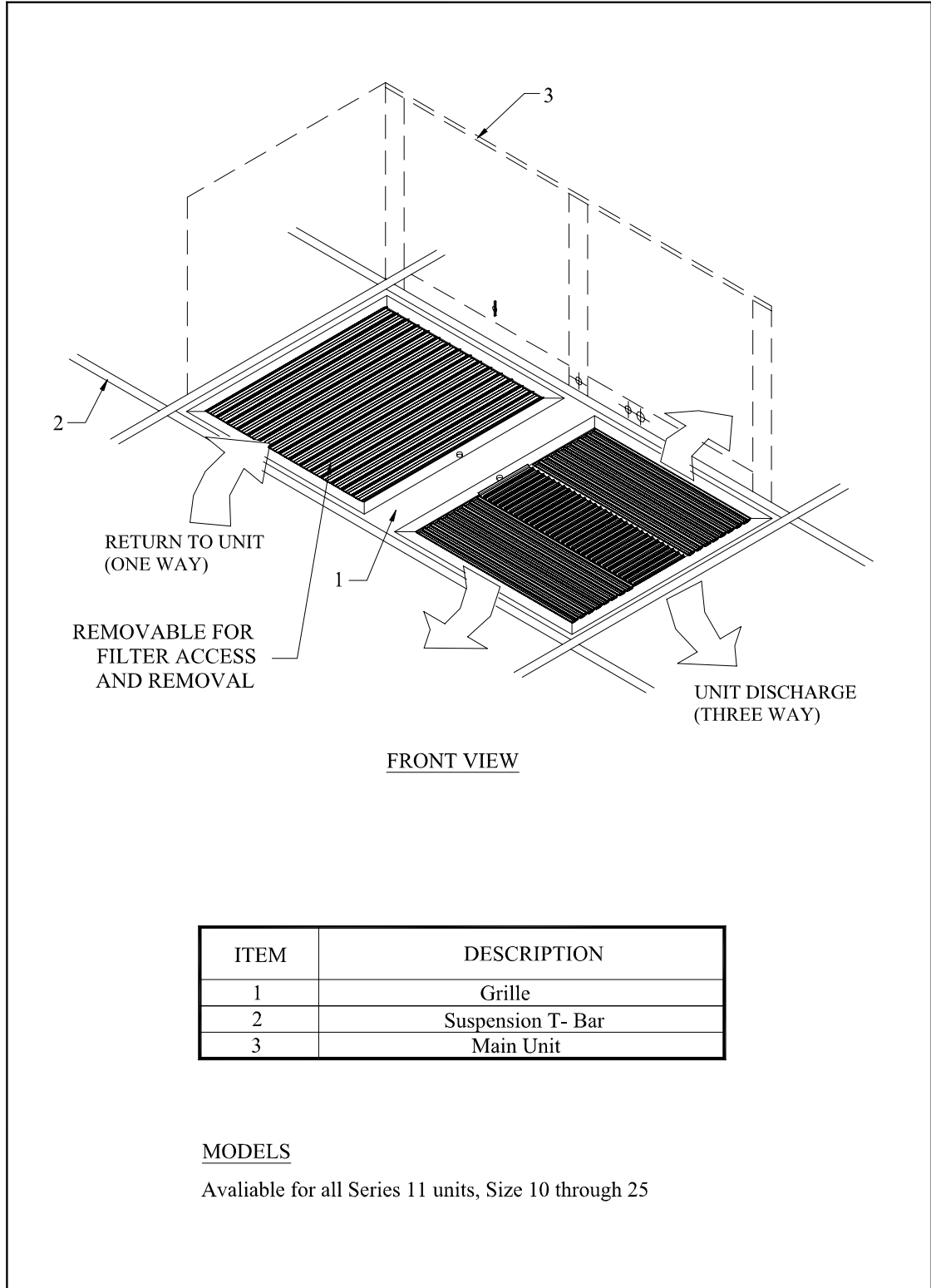
ITEM	DIAMETER (O.D.)		DESCRIPTION
	INCHES	MILLIMETERS	
1	3/8	10	Liquid Line
	1/2	13	Discharge Line
2	5/8	16	Suction Line
	1	25	Electrical Power Supply

MODELS

11RC10 Through 11RC25
11RU10 Through 11RU25



SERIES 11- CEILING MOUNTED UNIT
GRILLE AIR DISTRIBUTION



ITEM	DESCRIPTION
1	Grille
2	Suspension T- Bar
3	Main Unit

MODELS

Available for all Series 11 units, Size 10 through 25