



Series 11, Ceiling-Mounted Units

Technical Data - 60Hz

Table of Contents

Table of Contents.....	2
Air-cooled Systems	3
Air-cooled Remote Indoor Condensers.....	5
Air-cooled Remote Outdoor Condensers	5
Air-cooled Remote Indoor Condensing Unit	6
Air-cooled Remote Outdoor Condensing Unit.....	6
Water-cooled Systems	7
Water-cooled Remote Indoor Condensing Unit.....	8
Glycol-cooled Systems	9
Glycol-cooled Remote Indoor Condensing Unit.....	10
Chilled Water System.....	11
Electrical Data - 208Volts/1 Phase/60 Hertz (with standard thermostat).....	13
Electrical Data - 208Volts/1 Phase/60 Hertz (with M52 Controller Option)	14
Appendix A: Dimensional Drawings.....	17

Air-cooled Systems

Self-contained	11AX10	11AX15	11AX20	11AX25
Split unit - (Requires air-cooled condensing unit)	11AH10	11AH15	11AH20	11AH25
Split unit - (Requires air-cooled condenser)	11DX10	11DX15	11DX20	11DX25

Cooling Capacity - Rated at standard air volume, and 95°F ambient temperature

79°F (26°C) DB, 50%rh					
Total	BTUH	13590	19164	23668	27251
Sensible	BTUH	11589	16797	20775	23720
THR	BTUH	18506	23634	29503	34007
79°F (26°C) DB, 45%rh					
Total	BTUH	13401	18946	23408	26947
Sensible	BTUH	12346	17965	22243	25400
THR	BTUH	18283	23416	29243	33703
75°F (24°C) DB, 50%rh					
Total	BTUH	12683	18199	22583	26062
Sensible	BTUH	11090	16387	20249	23044
THR	BTUH	17439	22669	28418	32852
75°F (24°C) DB, 45%rh					
Total	BTUH	12718	17861	22162	25680
Sensible	BTUH	12056	17370	21503	24632
THR	BTUH	17480	22331	27997	32470
72°F (22°C) DB, 50%rh					
Total	BTUH	12135	17164	21305	24685
Sensible	BTUH	10932	15793	19525	22351
THR	BTUH	16794	21634	27174	31475
72°F (22°C) DB, 45%rh					
Total	BTUH	12218	16945	21037	24439
Sensible	BTUH	11799	16710	20673	23727
THR	BTUH	16892	21415	26906	31263

Fan Section – Impeller backward curved blower system

Standard Air Volume	CFM	500	750	950	1100
Quantity of Fans		1	1	1	1
External Static Pressure	in	0.3	0.3	0.3	0.3
Total Fan Motor Power	Hp	0.75	0.75	0.75	0.75

Compressor – Refrigerant R22, for self contained and DX models

Quantity of Compressors		1	1	1	1
Type		Recip.	Scroll	Scroll	Scroll

Evaporator Coil - Copper tube /lanced aluminium fin - Stainless steel drain pan

Face Area	ft ²	2.06	2.06	2.06	2.06
Rows Deep		3	3	3	3
Fins per inch	fpi	12	12	12	12
Face Velocity	fpm	243	364	461	534
Refrigerant Charge	lbs	0.3	0.4	0.45	0.5

Self-contained		11AX10	11AX15	11AX20	11AX25
Split unit - (Requires air-cooled condensing unit)		11AH10	11AH15	11AH20	11AH25
Split unit - (Requires air-cooled condenser)		11DX10	11DX15	11DX20	11DX25
Reheat Section – Electric Reheat - finned tubular type heater, -Optional					
Capacity @ 208V	kW	5.0	5.0	5.0	5.0
Capacity @ 230V	kW	6.1	6.1	6.1	6.1
Capacity @ 277V	kW	8.9	8.9	8.9	8.9
Humidifier - Electrode boiler type, -Optional					
Steam Generation Capacity	Lb/hr	5.0	5.0	5.0	5.0
Humidifier Power	kW	1.7	1.7	1.7	1.7
Filter Section - Pleated disposable type					
Quantity of Filters		1	1	1	1
Nominal Size	WxHxD in		20 x 20 x 1		
Piping Connection Size					
Liquid Line	- ODM -in	3/8"	3/8"	3/8"	3/8"
Suction Line (11AH**)	- ODM -in	5/8"	5/8"	5/8"	5/8"
Hot Gas Line (11DX**)	- ODM -in	1/2"	1/2"	1/2"	1/2"
Humidifier Water	- ODM -in	1/4"	1/4"	1/4"	1/4"
Condensate Drain	- ODM -in	1/2"	1/2"	1/2"	1/2"
Condenser Coil - Copper tube / aluminium fin (for 11AX** units)					
Face Area	ft ²	2.4	2.4	2.4	2.4
Rows Deep		4	4	4	4
Fins per inch		10	10	10	10
Face Velocity	fpm	313	542	542	542
Refrigerant Charge	lbs	2.4	2.4	2.4	2.4
Condenser Fan Module Section – Impeller Backward Curved Blower (for 11AX** units)					
Standard Air Volume	CFM	750	1300	1300	1300
Quantity of Fans		1	1	1	1
Total Fan Motor Power	Hp	0.75	0.75	0.75	0.75
Physical Details					
Width x Depth x Height	in	24 x 47 x 22			
Weight x Depth x Height	in	20-1/4 x 22 x 17-1/4 (condenser fan module with 11AX** only)			
Weight (11AX**)	lbs	243	246	250	260
Weight (11DX**)	lbs	178	181	185	194
Weight (11AH**)	lbs	135	135	135	135

Air-cooled Remote Indoor Condensers – (for use with 11DX**)

		11RC10	11RC15	11RC20	11RC25
Fan Section – Impeller Backward Curved Blower					
Standard Air Volume	CFM	750	1300	1300	1300
Quantity of Fans		1	1	1	1
Total Fan Motor Power	Hp	0.75	0.75	0.75	0.75
Condenser Coil - Copper tube / aluminium fin					
Face Area	ft ²	2.4	2.4	2.4	2.4
Rows Deep		4	4	4	4
Fins per inch		10	10	10	10
Face Velocity	fpm	313	542	542	542
Normal Refrigerant Charge	lbs	2.4	2.4	2.4	2.4
Flooded Refrigerant Charge	lbs	5.3	5.3	5.3	5.3
Piping Connection Size					
Liquid Line	- ODM -in	3/8"	3/8"	3/8"	3/8"
Discharge Line	- ODM -in	1/2"	1/2"	1/2"	1/2"
Physical Details					
Width x Depth x Height	in		24 x 25 x 21		
Weight	lbs	75	75	75	75

Air-cooled Remote Outdoor Condensers – (for use with 11DX**)

		11AR10	11AR15	11AR20	11AR25
Fan Section – Direct drive Propeller Fan					
Standard Air Volume	CFM	1600	1600	1600	2200
Quantity of Fans	1	1	1	1	
Total Fan Motor Power	Hp	0.25	0.25	0.25	0.25
Condenser Coil - Copper tube / aluminium fin					
Face Area	ft ²	4.2	4.2	4.2	4.2
Rows Deep		3	3	3	3
Fins per inch		13	13	13	13
Face Velocity	fpm	384	384	384	528
Normal Refrigerant Charge	lbs	3.1	3.1	3.1	3.1
Flooded Refrigerant Charge	lbs	6.9	6.9	6.9	6.9
Piping Connection Size					
Liquid Line	- ODM -in	3/8"	3/8"	3/8"	3/8"
Discharge Line	- ODM -in	1/2"	1/2"	1/2"	1/2"
Physical Details					
Width x Depth x Height	in			41 x 13 x 26	
Weight	lbs	95	95	95	95

Air-cooled Remote Indoor Condensing Unit – (for use with 11AH**)

		11RU10	11RU15	11RU20	11RU25
Fan Section – Impeller Backward Curved Blower					
Standard Air Volume	CFM	750	1300	1300	1300
Quantity of Fans		1	1	1	1
Total Fan Motor Power	Hp	0.75	0.75	0.75	0.75
Compressor - Refrigerant R22, Located in remote unit					
Quantity of Compressors		1	1	1	1
Type		Recip.	Scroll	Scroll	Scroll
Condenser Coil - Copper tube / aluminium fin					
Face Area	ft ²	2.4	2.4	2.4	2.4
Rows Deep		4	4	4	4
Fins per inch		10	10	10	10
Face Velocity	fpm	313	542	542	542
Normal Refrigerant Charge	lbs	2.4	2.4	2.4	2.4
Flooded Refrigerant Charge	lbs	5.3	5.3	5.3	5.3
Piping Connection Size					
Liquid Line	- ODM -in	3/8"	3/8"	3/8"	3/8"
Suction Line	- ODM -in	5/8"	5/8"	5/8"	5/8"
Physical Details					
Width x Depth x Height	in			24 x 25 x 21	
Weight	lbs	125	130	135	140

Air-cooled Remote Outdoor Condensing Unit – (for use with 11AH**)

		11AC10	11AC15	11AC20	11AC25
Fan Section – Direct drive Propeller Fan					
Standard Air Volume	CFM	1600	1600	1600	2200
Quantity of Fans		1	1	1	1
Total Fan Motor Power	Hp	0.25	0.25	0.25	0.25
Compressor - Refrigerant R22, Located in outdoor unit					
Quantity of Compressors		1	1	1	1
Type		Recip.	Scroll	Scroll	Scroll
Condenser Coil - Copper tube / aluminium fin					
Face Area	ft ²	4.2	4.2	4.2	4.2
Rows Deep		3	3	3	3
Fins per inch		13	13	13	13
Face Velocity	fpm	384	384	384	528
Normal Refrigerant Charge	lbs	3.1	3.1	3.1	3.1
Flooded Refrigerant Charge	lbs	6.9	6.9	6.9	6.9
Piping Connection Size					
Liquid Line	- ODM -in	3/8"	3/8"	3/8"	3/8"
Suction Line	- ODM -in	5/8"	5/8"	5/8"	5/8"
Physical Details					
Width x Depth x Height	in			41 x 13 x 26	
Weight	lbs	145	145	145	145

Water-cooled Systems

Self-contained		11WX10	11WX15	11WX20	11WX25
Split unit – (requires water-cooled condensing unit)		11AH10	11AH15	11AH20	11AH25
Cooling Capacity - Rated at standard air volume, 115°F condensing temperature					
79°F (26°C) DB, 50%rh					
Total	BTUH	13750	19432	24605	28288
Sensible	BTUH	11664	16916	21178	24156
THR	BTUH	18663	23902	30440	35044
79°F (26°C) DB, 45%rh					
Total	BTUH	13533	19193	24290	27921
Sensible	BTUH	12411	18080	22638	25827
THR	BTUH	18413	23663	30125	34677
75°F (24°C) DB, 50%rh					
Total	BTUH	12725	18392	23365	26935
Sensible	BTUH	11111	16476	20600	23434
THR	BTUH	17468	22862	29200	33725
75°F (24°C) DB, 45%rh					
Total	BTUH	12763	18028	22879	26484
Sensible	BTUH	12078	17451	21845	25012
THR	BTUH	17540	22498	28714	33274
72°F (22°C) DB, 50%rh					
Total	BTUH	12111	17282	21920	25384
Sensible	BTUH	10920	15850	19823	22687
THR	BTUH	16785	21752	27789	32174
72°F (22°C) DB, 45%rh					
Total	BTUH	12205	17046	21617	25107
Sensible	BTUH	11792	16763	20977	24076
THR	BTUH	16879	21516	27486	31931
Fan Section – Impeller Backward Curved Blower					
Standard Air Volume	CFM	500	750	950	1100
Quantity of Fans		1	1	1	1
External Static Pressure	in	0.3	0.3	0.3	0.3
Total Fan Motor Power	Hp	0.75	0.75	0.75	0.75
Compressor - Refrigerant R22, for self-contained model					
Quantity of Compressors		1	1	1	1
Type		Recip.	Scroll	Scroll	Scroll
Evaporator Coil - Copper tube /lanced aluminium fin - Stainless steel drain pan					
Face Area	ft ²	2.06	2.06	2.06	2.06
Rows Deep		3	3	3	3
Fins per inch	fpi	12	12	12	12
Face Velocity	fpm	243	364	461	534
Refrigerant Charge (11AH**)	lbs	0.3	0.4	0.45	0.5
Reheat Section – Electric Reheat - finned tubular type heater, -Optional					
Capacity @ 208V	kW	5.0	5.0	5.0	5.0
Capacity @ 230V	kW	6.1	6.1	6.1	6.1
Capacity @ 277V	kW	8.9	8.9	8.9	8.9

Self-contained		11WX10	11WX15	11WX20	11WX25
Split unit – (requires water-cooled condensing unit)		11AH10	11AH15	11AH20	11AH25
Humidifier - Electrode boiler type, -Optional					
Steam Generation Capacity	Lb/hr	5.0	5.0	5.0	5.0
Humidifier Power	kW	1.7	1.7	1.7	1.7
Filter Section – Pleated disposable type					
Quantity of Filters		1	1	1	1
Nominal Size	WxHxD in			20 x 20 x 1	
Piping Connection Size					
Liquid Line	- ODM -in	3/8"	3/8"	3/8"	3/8"
Suction Line (11AH**)	- ODM -in	5/8"	5/8"	5/8"	5/8"
Humidifier Water	- ODM -in	1/4"	1/4"	1/4"	1/4"
Condensate Drain	- ODM -in	1/2"	1/2"	1/2"	1/2"
Condensing Water	- ODM -in	7/8"	7/8"	7/8"	7/8"
Physical Details					
Width x Depth x Height	in			24 x 47 x 22	
Weight (11WX**)	lbs	193	196	200	210
Weight (11AH**)	lbs	135	135	135	135

Water-cooled Remote Indoor Condensing Unit – (for use with 11AH**)

		11WC10	11WC15	11WC20	11WC25
Compressor - Refrigerant R22, Located in remote unit					
Quantity of Compressors		1	1	1	1
Type		Scroll	Scroll	Scroll	Scroll
Condenser					
Refrigerant Charge	lbs	1.3	1.5	1.75	1.9
Condensing Water Requirement (for self-contained units and remote indoor condensing units)					
75°F EWT					
Flow Rate	GPM	1.8	1.7	2.7	2.8
Unit Pressure Drop	ft-H ₂ O	5.4	6.0	12.3	5.1
85°F EWT					
Flow Rate	GPM	2.4	2.2	3.6	3.5
Unit Pressure Drop	ft-H ₂ O	7.9	8.9	19.3	7.1
Water Regulating Valve - 2-way, head pressure controlled					
Size	in.	3/4	3/4	3/4	3/4
Piping Connection Size					
Liquid Line	- ODM -in	3/8"	3/8"	3/8"	3/8"
Suction Line	- ODM -in	5/8"	5/8"	5/8"	5/8"
Condensing Water	- ODM -in	7/8"	7/8"	7/8"	7/8"
Physical Details					
Width x Depth x Height	in			40 x 14 x 26	
Weight	lbs	145	145	145	145

Glycol-cooled Systems

Self-contained		11GX10	11GX15	11GX20	11GX25
Split unit – requires glycol-cooled condensing unit		11AH10	11AH15	11AH20	11AH25
Cooling Capacity - Rated at standard air volume					
79°F (26°C) DB, 50%rh					
Total	BTUH	13750	19432	24605	28288
Sensible	BTUH	11664	16916	21178	24156
THR	BTUH	18663	23902	30440	35044
79°F (26°C) DB, 45%rh					
Total	BTUH	13533	19193	24290	27921
Sensible	BTUH	12411	18080	22638	25827
THR	BTUH	18413	23663	30125	34677
75°F (24°C) DB, 50%rh					
Total	BTUH	12725	18392	23365	26935
Sensible	BTUH	11111	16476	20600	23434
THR	BTUH	17468	22862	29200	33725
75°F (24°C) DB, 45%rh					
Total	BTUH	12763	18028	22879	26484
Sensible	BTUH	12078	17451	21845	25012
THR	BTUH	17540	22498	28714	33274
72°F (22°C) DB, 50%rh					
Total	BTUH	12111	17282	21920	25384
Sensible	BTUH	10920	15850	19823	22687
THR	BTUH	16785	21752	27789	32174
72°F (22°C) DB, 45%rh					
Total	BTUH	12205	17046	21617	25107
Sensible	BTUH	11792	16763	20977	24076
THR	BTUH	16879	21516	27486	31931
Fan Section – Impeller Backward Curved Blower					
Standard Air Volume	CFM	500	750	950	1100
Quantity of Fans		1	1	1	1
External Static Pressure	in	0.3	0.3	0.3	0.3
Total Fan Motor Power	Hp	0.75	0.75	0.75	0.75
Compressor - Refrigerant R22, for self-contained model					
Quantity of Compressors		1	1	1	1
Type		Recip.	Scroll	Scroll	Scroll
Evaporator Coil - Copper tube /lanced aluminium fin - Stainless steel drain pan					
Face Area	ft ²	2.06	2.06	2.06	2.06
Rows Deep		3	3	3	3
Fins per inch	fpi	12	12	12	12
Face Velocity	fpm	243	364	461	534
Refrigerant Charge	lbs	0.3	0.4	0.45	0.5
Reheat Section – Electric Reheat - finned tubular type heater, -Optional					
Capacity @ 208V	kW	5.0	5.0	5.0	5.0
Capacity @ 230V	kW	6.1	6.1	6.1	6.1
Capacity @ 277V	kW	8.9	8.9	8.9	8.9

Self-contained		11GX10	11GX15	11GX20	11GX25
Split unit – requires glycol-cooled condensing unit		11AH10	11AH15	11AH20	11AH25
Humidifier - Electrode boiler type, -Optional					
Steam Generation Capacity	Lb/hr	5.0	5.0	5.0	5.0
Humidifier Power	kW	1.7	1.7	1.7	1.7
Filter Section – Pleated disposable type					
Quantity of Filters		1	1	1	1
Nominal Size	WxHxD in			20 x 20 x 1	
Piping Connection Size					
Liquid Line	- ODM -in	3.8"	3/8"	3/8"	3/8"
Suction Line (11AH**)	- ODM -in	5/8"	5/8"	5/8"	5/8"
Humidifier Water	- ODM -in	1/4"	1/4"	1/4"	1/4"
Condensate Drain	- ODM -in	1/2"	1/2"	1/2"	1/2"
Glycol Solution	- OD -in	7/8"	7/8"	7/8"	7/8"
Physical Details					
Width x Depth x Height	in			24 x 47 x 22	
Weight (11GX**)	lbs	193	196	200	210
Weight (11AH**)	lbs	135	135	135	135

Glycol-cooled Remote Indoor Condensing Unit – (for use with 11AH**)

		11GC10	11GC15	11GC20	11GC25
Compressor - Refrigerant R22, Located in remote unit					
Quantity of Compressors		1	1	1	1
Type		Recip.	Scroll	Scroll	Scroll
Condenser					
Refrigerant Charge	lbs	1.3	1.5	1.75	1.9
Glycol Solution Requirement – 40% ethylene glycol (for self-contained units and remote indoor condensing units)					
95°F EWT					
Flow Rate	GPM	2.1	2.5	3.2	2.0
Unit Pressure Drop	ft-H ₂ O	3.1	4.6	6.0	1.9
105°F EWT					
Flow Rate	GPM	5.0	6.4	9.0	8.0
Unit Pressure Drop	ft-H ₂ O	11.3	17.8	29.1	17.7
Glycol Solution Regulating Valve – 2 way, head pressure controlled					
Size	in.	3/4	3/4	3/4	3/4
Piping Connection Size					
Liquid Line	- ODM -in	3/8"	3/8"	3/8"	3/8"
Suction Line	- ODM -in	5/8"	5/8"	5/8"	5/8"
Glycol Solution	- OD -in	7/8"	7/8"	7/8"	7/8"
Physical Details					
Width x Depth x Height	in			40 x 14 x 26	
Weight	lbs	145	145	145	145

Chilled Water System

Self-contained		11CW10	11CW15	11CW20	11CW25
Cooling Capacity - Rated at standard air volume, 45°F (7.2°C) entering water & 8°F (4.5°C) temperature rise					
79°F (26°C) DB, 50%rh					
Total	BTUH	19451	26800	31993	35533
Sensible	BTUH	14500	20652	25196	28396
Flow Rate	GPM	4.9	6.6	7.9	8.8
Unit Pressure Drop	ft-H ₂ O	8.7	14.2	19.2	22.7
79°F (26°C) DB, 45%rh					
Total	BTUH	18019	25028	29871	33286
Sensible	BTUH	14964	21449	26180	29559
Flow Rate	GPM	4.5	6.3	7.4	8.3
Unit Pressure Drop	ft-H ₂ O	7.8	12.9	17.2	20.5
75°F (24°C) DB, 50%rh					
Total	BTUH	15071	20974	25040	27929
Sensible	BTUH	12600	18061	22029	24867
Flow Rate	GPM	3.8	5.3	6.3	7.0
Unit Pressure Drop	ft-H ₂ O	5.7	9.8	12.9	15.6
75°F (24°C) DB, 45%rh					
Total	BTUH	14393	19658	23110	24956
Sensible	BTUH	13352	18911	22832	24956
Flow Rate	GPM	3.6	4.9	5.8	6.3
Unit Pressure Drop	ft-H ₂ O	4.9	8.7	11.5	12.9
72°F (22°C) DB, 50%rh					
Total	BTUH	12203	16635	19475	21145
Sensible	BTUH	11383	16085	19350	21145
Flow Rate	GPM	3.1	4.2	4.9	5.3
Unit Pressure Drop	ft-H ₂ O	3.8	6.7	8.7	10.2
72°F (22°C) DB, 45%rh					
Total	BTUH	11084	15700	18987	21306
Sensible	BTUH	11084	15700	18987	21306
Flow Rate	GPM	2.8	3.9	4.7	5.3
Unit Pressure Drop	ft-H ₂ O	3.4	6.0	8.4	9.6
Fan Section - Impeller Backward Curved Blower					
Standard Air Volume	CFM	500	750	950	1100
Quantity of Fans		1	1	1	1
External Static Pressure	in	0.3	0.3	0.3	0.3
Total Fan Motor Power	Hp	0.75	0.75	0.75	0.75

Self-contained		11CW10	11CW15	11CW20	11CW25
<i>Evaporator Coil - Copper tube /lanced aluminium fin - Stainless steel drain pan</i>					
Face Area	ft ²	2.06	2.06	2.06	2.06
Rows Deep		4	4	4	4
Fins per inch	fpi	12	12	12	12
Face Velocity	fpm	243	364	461	534
<i>Reheat Section – Electric Reheat - finned tubular type heater, -Optional</i>					
Capacity @ 208V	kW	5.0	5.0	5.0	5.0
Capacity @ 230V	kW	6.1	6.1	6.1	6.1
Capacity @ 277V	kW	8.9	8.9	8.9	8.9
<i>Humidifier - Electrode boiler type, -Optional</i>					
Steam Generation Capacity	Lb/hr	5.0	5.0	5.0	5.0
Humidifier Power	kW	1.7	1.7	1.7	1.7
<i>Filter Section - Pleated disposable type</i>					
Quantity of Filters		1	1	1	1
Nominal Size	WxHxD in			20 x 20 x 1	
<i>Piping Connection Size</i>					
Chilled Water	- ODM -in	5/8"	5/8"	5/8"	5/8"
Humidifier Water	- ODM -in	1/4"	1/4"	1/4"	1/4"
Condensate Drain	- ODM -in	1/2"	1/2"	1/2"	1/2"
<i>Chilled-water Valve - 2-Way modulating</i>					
Valve Size	in.	1/2	1/2	1/2	1/2
<i>Physical Details</i>					
Width x Depth x Height	in			24 x 47 x 22	
Weight	lbs	145	145	145	145

Electrical Data - 208Volts/1 Phase/60 Hertz *(with standard thermostat)*

Indoor Units with Compressor *

Model	11AX10			11AX15			11AX20			11AX25		
	FLA	MCA	MFS	FLA	MCA	MFS	FLA	MCA	MFS	FLA	MCA	MFS
Electric	29.4	36.1	40	29.4	36.1	40	29.4	36.1	40	29.4	36.1	40
None	11.0	13.1	15	15.4	18.6	25	16.8	20.3	30	19.0	23.1	35

Model	11WX/GX/DX10			11WX/GX/DX15			11WX/GX/DX20			11WX/GX/DX25		
	FLA	MCA	MFS	FLA	MCA	MFS	FLA	MCA	MFS	FLA	MCA	MFS
Electric	26.7	33.4	35	26.7	33.4	35	26.7	33.4	35	26.7	33.4	35
None	8.3	10.4	15	12.7	15.9	25	14.1	17.6	25	16.3	20.4	30

Indoor Units without Compressor *

Model	11AH/CW10			11AH/CW15			11AH/CW20			11AH/CW25		
	FLA	MCA	MFS	FLA	MCA	MFS	FLA	MCA	MFS	FLA	MCA	MFS
Electric	26.7	33.4	35	26.7	33.4	35	26.7	33.4	35	26.7	33.4	35
None	2.7	3.4	15	2.7	3.4	15	2.7	3.4	15	2.7	3.4	15

Condensing Unit *

Model	11RU/AC/WC/GC10			11RU/AC/WC/GC15			11RU/AC/WC/GC20			11RU/AC/WC/GC25		
	FLA	MCA	MFS	FLA	MCA	MFS	FLA	MCA	MFS	FLA	MCA	MFS
Air-Cooled (11RU...)	8.3	9.7	15	12.7	15.2	25	14.1	17.0	25	16.3	19.7	30
Air-Cooled (11AC...)	6.9	8.3	15	11.3	13.8	20	12.7	15.6	25	14.9	18.3	30
Water-Cooled (11W...)	5.6	7.0	15	10.0	12.5	20	11.4	14.3	25	13.6	17.0	30
Glycol-Cooled (11G...)	5.6	7.0	15	10.0	12.5	20	11.4	14.3	25	13.6	17.0	30

Condenser *

Model	11RC/AR10			11RC/AR15			11RC/AR20			11RC/AR25		
	FLA	MCA	MFS	FLA	MCA	MFS	FLA	MCA	MFS	FLA	MCA	MFS
Air cooled (11RC...)	2.7	3.4	15	2.7	3.4	15	2.7	3.4	15	2.7	3.4	15
Air cooled (11AR...)	1.3	1.6	15	1.3	1.6	15	1.3	1.6	15	1.3	1.6	15

* FLA is based on full load current of individual components that result in maximum electrical load condition during normal operation.
FLA = Full Load Amps, MCA = Minimum Circuit Ampacity, MFS = Maximum Fuse Size

Electrical Data - 208Volts/1 Phase/60 Hertz (with M52 Controller Option)

Indoor Units with Compressor *

Model	11AX10			11AX15			11AX20			11AX25		
	FLA	MCA	MFS	FLA	MCA	MFS	FLA	MCA	MFS	FLA	MCA	MFS
Electric / Boiler	35.6	43.1	45	40.0	48.6	50	41.4	50.3	60	43.6	53.1	60
Electric / None	35.6	43.1	45	40.0	48.6	50	41.4	50.3	60	43.6	53.1	60
None / Boiler	19.8	23.2	25	24.2	28.7	35	25.6	30.5	35	27.8	33.2	40
None / None	11.6	13.0	15	16.0	18.5	25	17.4	20.3	30	19.6	23.0	30

Model	11WX/GX/DX10			11WX/GX/DX15			11WX/GX/DX20			11WX/GX/DX25		
	FLA	MCA	MFS	FLA	MCA	MFS	FLA	MCA	MFS	FLA	MCA	MFS
Electric / Boiler	35.5	42.2	45	37.3	45.9	50	38.7	47.6	50	40.9	50.4	60
Electric / None	32.9	40.4	45	37.3	45.9	50	38.7	47.6	50	40.9	50.4	60
None / Boiler	17.1	20.5	25	21.5	26.0	30	22.9	27.8	35	25.1	30.5	40
None / None	8.9	10.3	15	13.3	15.8	25	14.7	17.6	25	16.9	20.3	30

Indoor Units without Compressor *

Model	11AH/CW10			11AH/CW15			11AH/CW20			11AH/CW25		
	FLA	MCA	MFS	FLA	MCA	MFS	FLA	MCA	MFS	FLA	MCA	MFS
Electric / Boiler	35.5	42.2	45	35.5	42.2	45	35.5	42.2	45	35.5	42.2	45
Electric / None	27.3	34.0	40	27.3	34.0	40	27.3	34.0	40	27.3	34.0	40
None / Boiler	11.5	14.2	20	11.5	14.2	20	11.5	14.2	20	11.5	14.2	20
None / None	3.3	4.0	15	3.3	4.0	15	3.3	4.0	15	3.3	4.0	15

Condensing Unit *

Model	11RU/AC/WC/GC10			11RU/AC/WC/GC15			11RU/AC/WC/GC20			11RU/AC/WC/GC25		
	FLA	MCA	MFS	FLA	MCA	MFS	FLA	MCA	MFS	FLA	MCA	MFS
Air-Cooled (11RU...)	8.3	9.7	15	12.7	15.2	25	14.1	17.0	25	16.3	19.8	30
Air-Cooled (11AC...)	6.9	8.3	15	11.3	13.8	20	12.7	15.6	25	14.9	18.3	30
Water-Cooled (11W...)	5.6	7.0	15	10.0	12.5	20	11.4	14.3	25	13.6	17.0	30
Glycol-Cooled (11G...)	5.6	7.0	15	10.0	12.5	20	11.4	14.3	25	13.6	17.0	30

Condenser *

Model	11RC/AR10			11RC/AR15			11RC/AR20			11RC/AR25		
	FLA	MCA	MFS	FLA	MCA	MFS	FLA	MCA	MFS	FLA	MCA	MFS
Air cooled (11RC...)	2.7	3.4	15	2.7	3.4	15	2.7	3.4	15	2.7	3.4	15
Air cooled (11AR...)	1.3	1.6	15	1.3	1.6	15	1.3	1.6	15	1.3	1.6	15

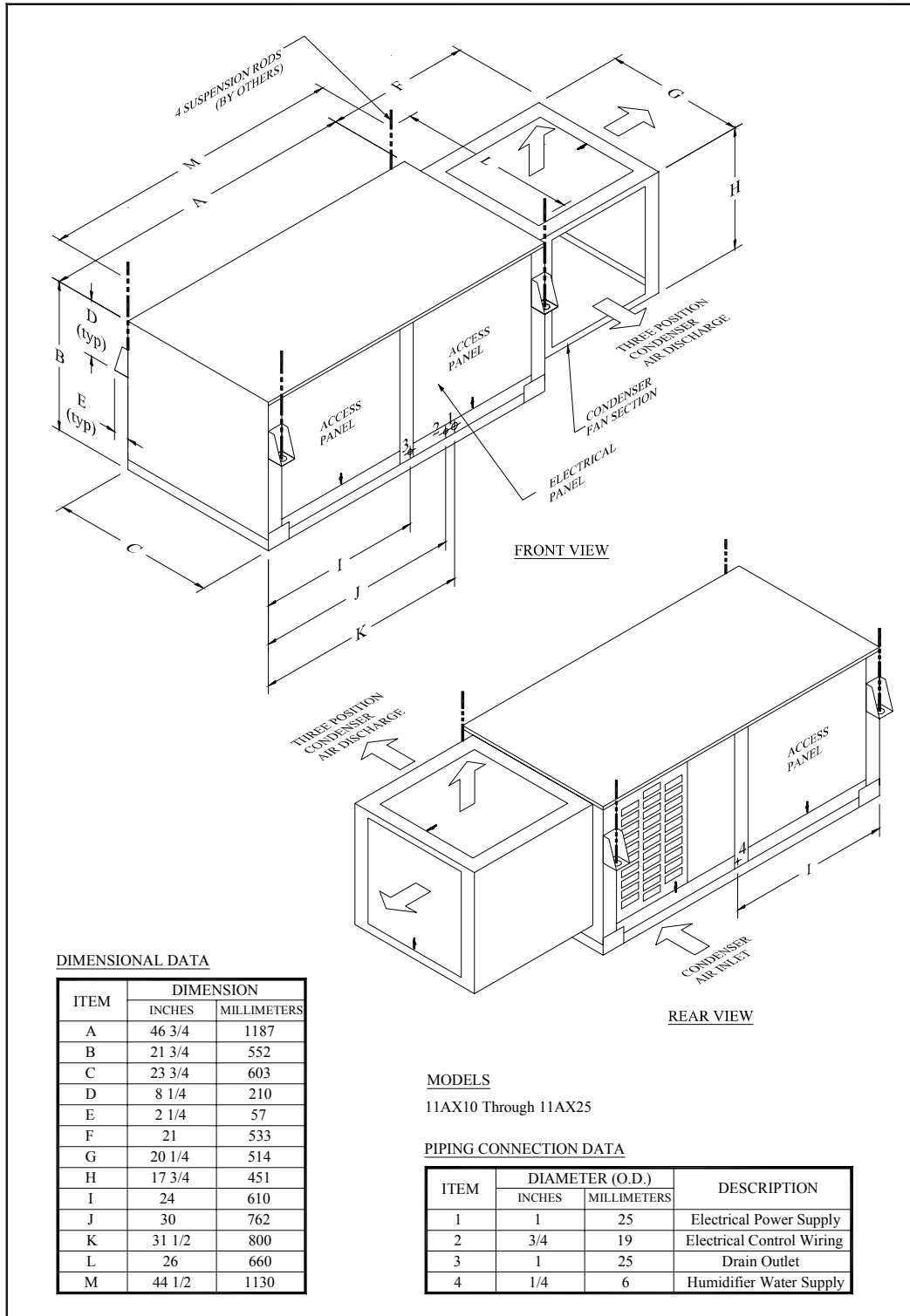
* FLA is based on full load current of individual components that result in maximum electrical load condition during normal operation.
FLA = Full Load Amps, MCA = Minimum Circuit Ampacity, MFS = Maximum Fuse Size

Appendix A: Dimensional Drawings

<u>Drawing Title</u>	<u>Drawing No.</u>	<u>Page No.</u>
SERIES 11: Self-contained Air-cooled Unit	S11DD101D	16
SERIES 11: Ducted Self-contained Air-cooled Unit	S11DD152B	17
SERIES 11: Self-contained Water/Glycol-cooled Unit	S11DD111C	18
SERIES 11: Chilled Water Unit	S11DD121C	19
SERIES 11: Indoor Evaporator Section w/ Compressor	S11DD131C	20
SERIES 11: Indoor Evaporator Section	S11DD141C	21
SERIES 11: Ducted Evaporator Connections	S11DD151C	22
SERIES 11: Outdoor Condenser/Condensing Unit	S11DD202B	23
SERIES 11: Indoor Condenser/Condensing Unit	S11DD161B	24
SERIES 11: Air Grille Distribution	S11DD171B	25



**SERIES 11- CEILING MOUNTED UNIT
SELF-CONTAINED AIR-COOLED UNIT**



DIMENSIONAL DATA

ITEM	DIMENSION	
	INCHES	MILLIMETERS
A	46 3/4	1187
B	21 3/4	552
C	23 3/4	603
D	8 1/4	210
E	2 1/4	57
F	21	533
G	20 1/4	514
H	17 3/4	451
I	24	610
J	30	762
K	31 1/2	800
L	26	660
M	44 1/2	1130

MODELS

11AX10 Through 11AX25

PIPING CONNECTION DATA

ITEM	DIAMETER (O.D.)		DESCRIPTION
	INCHES	MILLIMETERS	
1	1	25	Electrical Power Supply
2	3/4	19	Electrical Control Wiring
3	1	25	Drain Outlet
4	1/4	6	Humidifier Water Supply

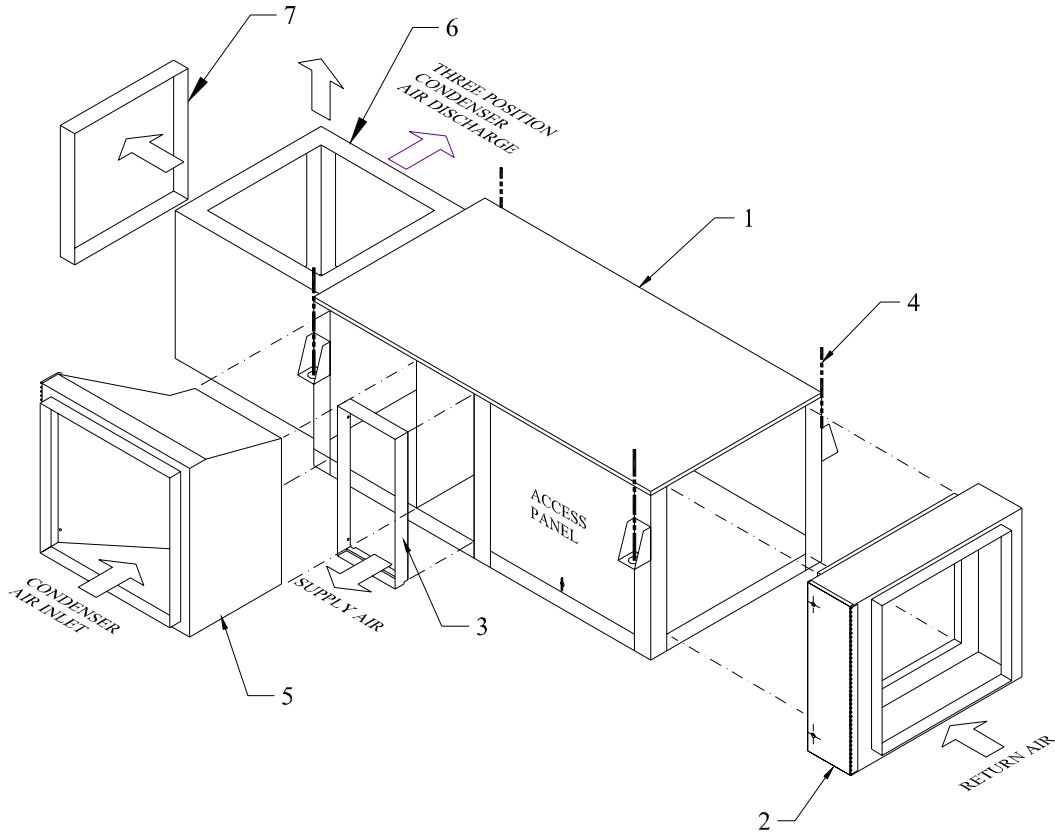
S11DD101D

11 NOVEMBER 2002

NOT TO SCALE



SERIES 11- CEILING MOUNTED UNIT
DUCTED EVAPORATOR AND CONDENSER CONNECTIONS



REAR VIEW

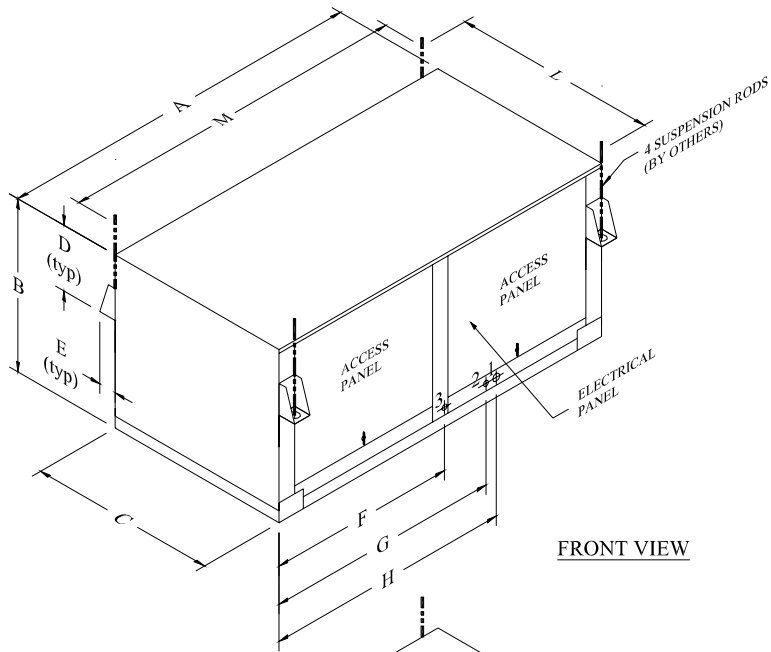
ITEM	DESCRIPTION	DUCT CONNECTION SIZE	
		INCHES	MILLIMETERS
1	Main Unit	--	--
2	Return Air Filter Box for Evaporator	18 x 18	457 x 457
3	Supply Air Duct Collar	8 x 18	203 x 457
4	Suspension Rods (By Others)	--	--
5	Return Air Filter Box for Condenser	18 x 18	457 x 457
6	In Door Air-cooled Fan Box	--	--
7	Discharge Air Duct Collar	15 3/4 x 15 3/4	400 x 400

MODELS

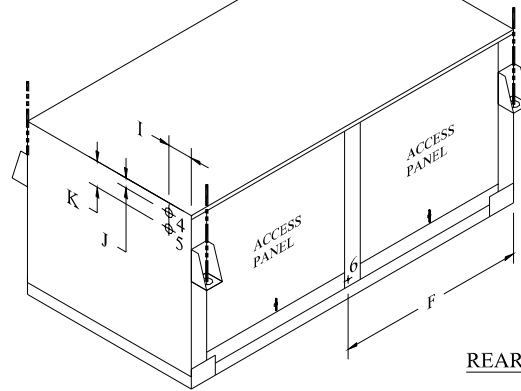
Applicable for all Series 11 units, size 10 through 25



**SERIES 11- CEILING MOUNTED UNIT
SELF-CONTAINED WATER/GLYCOL-COOLED UNIT**



FRONT VIEW



REAR VIEW

DIMENSIONAL DATA

ITEM	DIMENSION	
	INCHES	MILLIMETERS
A	46 3/4	1187
B	21 3/4	552
C	23 3/4	603
D	8 1/4	210
E	2 1/4	57
F	24	610
G	30	762
H	31 1/2	800
I	3 1/4	83
J	1 1/4	32
K	3 1/4	83
L	26	660
M	44 1/2	1130

PIPING CONNECTION DATA

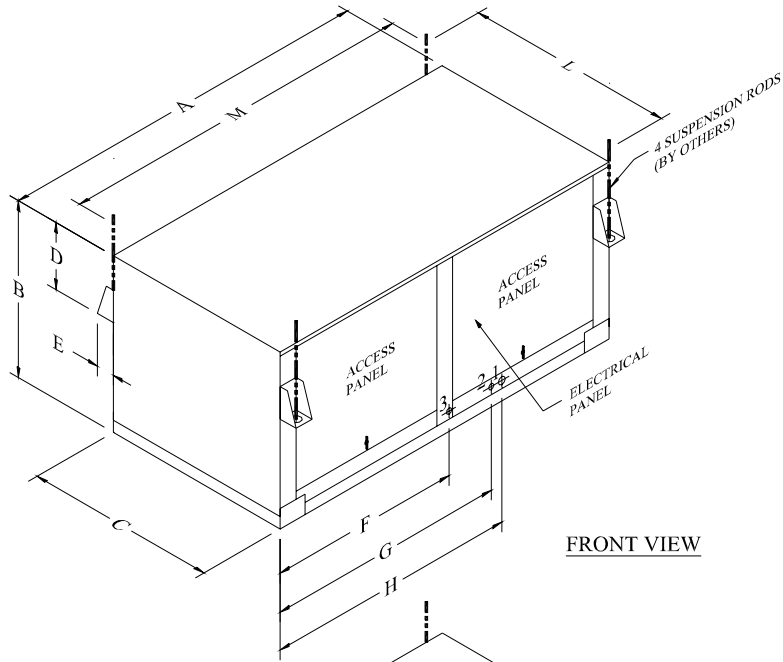
ITEM	DIAMETER (O.D.)		DESCRIPTION
	INCHES	MILLIMETERS	
1	1	25	Electrical Power Supply
2	3/4	19	Electrical Control Wiring
3	1	25	Drain Outlet
4	1 1/8	32	Water/Glycol Supply
5	1 1/8	32	Water/Glycol Return
6	1/4	6	Humidifier Water Supply

MODELS

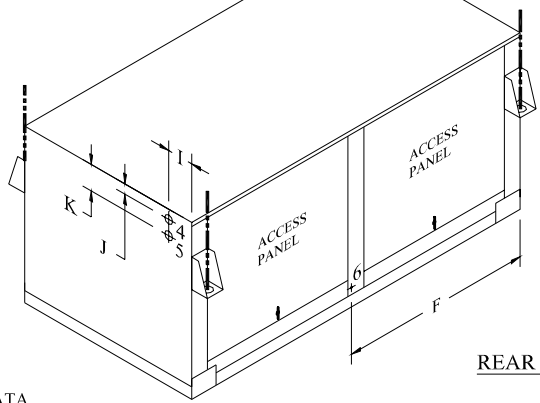
11WX10 through 11WX25
11GX10 through 11GX25



SERIES 11- CEILING MOUNTED UNIT
CHILLED WATER UNIT



FRONT VIEW



REAR VIEW

DIMENSIONAL DATA

ITEM	DIMENSION	
	INCHES	MILLIMETERS
A	46 3/4	1187
B	21 3/4	552
C	23 3/4	603
D	8 1/4	210
E	2 1/4	57
F	24	610
G	30	762
H	31 1/2	800
I	3 1/4	83
J	1 1/4	32
K	3 1/4	83
L	26	660
M	44 1/2	1130

PIPING CONNECTION DATA

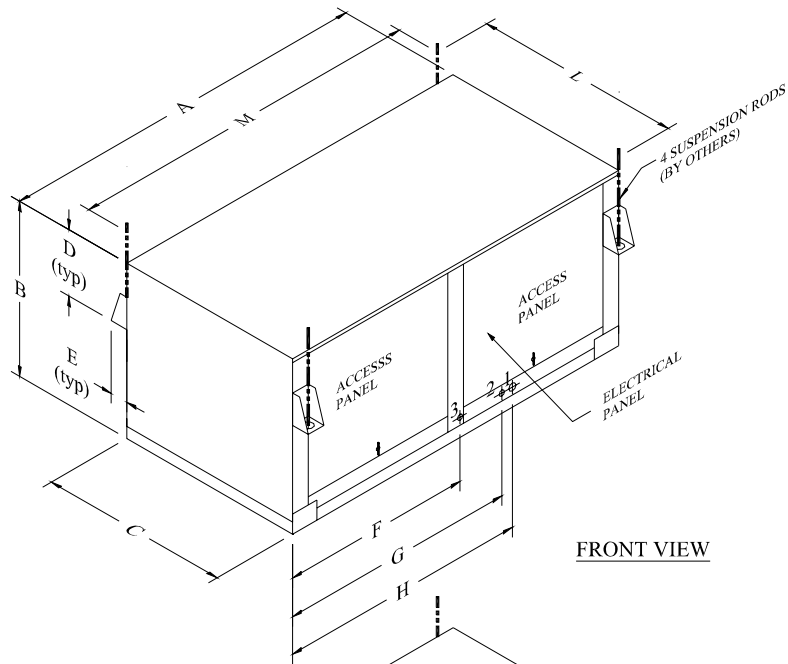
ITEM	DIAMETER (O.D.)		DESCRIPTION
	INCHES	MILLIMETERS	
1	1	25	Electrical Power Supply
2	3/4	19	Electrical Control Wiring
3	1	25	Drain Outlet
4	1 1/8	32	Chilled Water Supply
5	1 1/8	32	Chilled Water Return
6	1/4	6	Humidifier Water Supply

MODELS

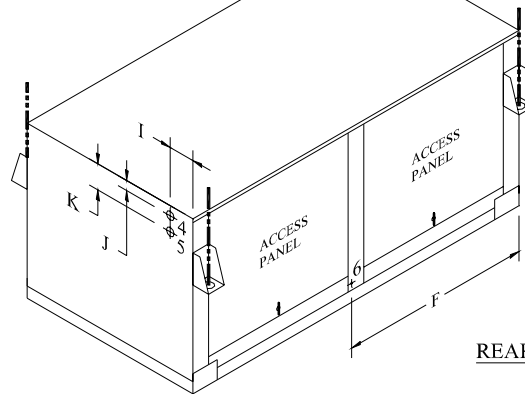
11CW10 through 11CW25



**SERIES 11- CEILING MOUNTED UNIT
INDOOR EVAPORATOR SECTION w/ COMPRESSOR**



FRONT VIEW



REAR VIEW

DIMENSIONAL DATA

ITEM	DIMENSION	
	INCHES	MILLIMETERS
A	46 3/4	1187
B	21 3/4	552
C	23 3/4	603
D	8 1/4	210
E	2 1/4	57
F	24	610
G	30	762
H	31 1/2	800
I	3 1/4	83
J	1 1/4	32
K	3 1/4	83
L	26	660
M	44 1/2	1130

PIPING CONNECTION DATA

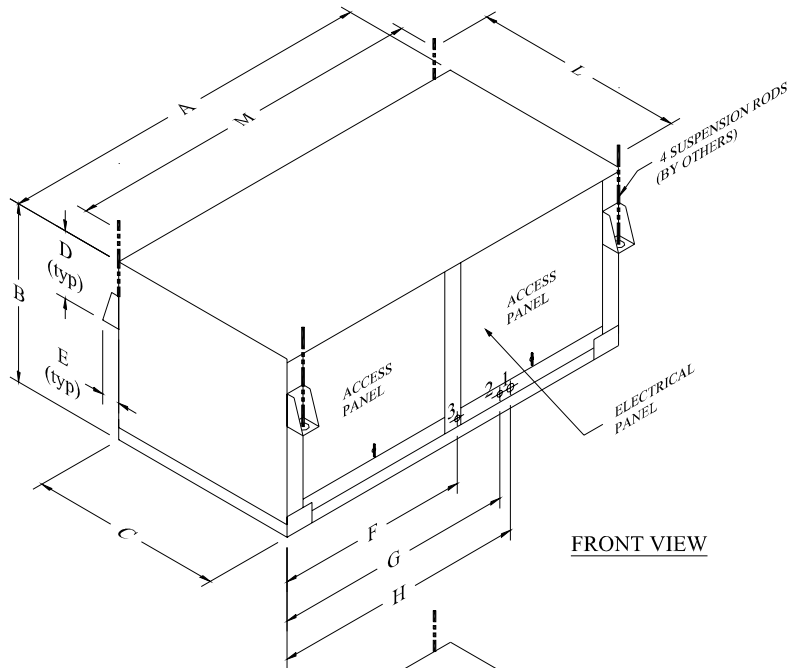
ITEM	DIAMETER (O.D.)		DESCRIPTION
	INCHES	MILLIMETERS	
1	1	25	Electrical Power Supply
2	3/4	19	Electrical Control Wiring
3	1	25	Drain Outlet
4	3/8	10	Liquid Line
5	1/2	13	Hot Gas Line
6	1/4	6	Humidifier Water Supply

MODELS

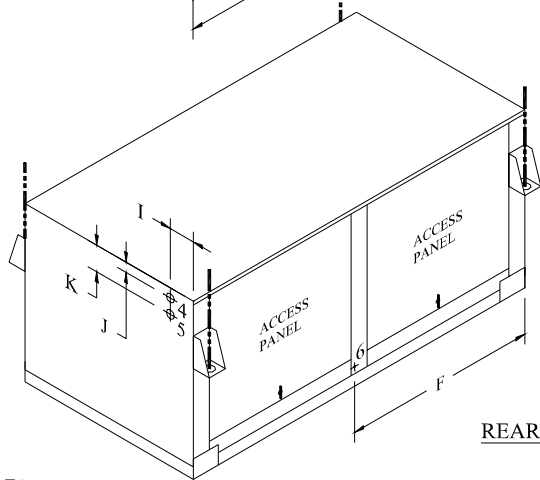
11DX10 through 11DX25



SERIES 11- CEILING MOUNTED UNIT
INDOOR EVAPORATOR SECTION



FRONT VIEW



REAR VIEW

DIMENSIONAL DATA

ITEM	DIMENSION	
	INCHES	MILLIMETERS
A	46 3/4	1187
B	21 3/4	552
C	23 3/4	603
D	8 1/4	210
E	2 1/4	57
F	24	610
G	30	762
H	31 1/2	800
I	3 1/4	83
J	1 1/4	32
K	3 1/4	83
L	26	660
M	44 1/2	1130

PIPING CONNECTION DATA

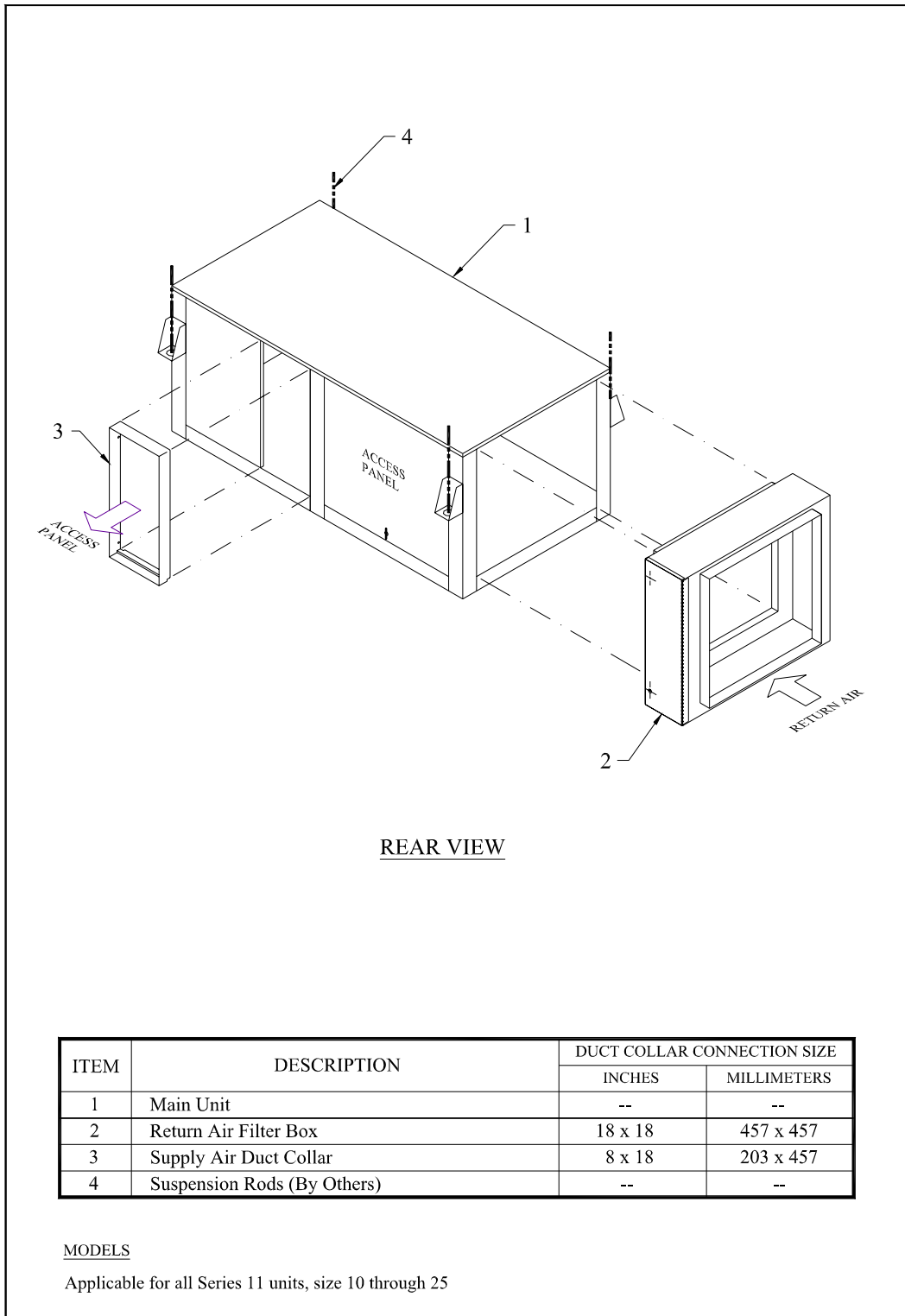
ITEM	DIAMETER (O.D.)		DESCRIPTION
	INCHES	MILLIMETERS	
1	1	25	Electrical Power Supply
2	3/4	19	Electrical Control Wiring
3	1	25	Drain Outlet
4	3/8	10	Liquid Line
5	5/8	16	Suction Line
6	1/4	6	Humidifier Water Supply

MODELS

11AH10 through 11AH25



SERIES 11- CEILING MOUNTED UNIT
DUCTED EVAPORATOR CONNECTIONS



S11DD151C

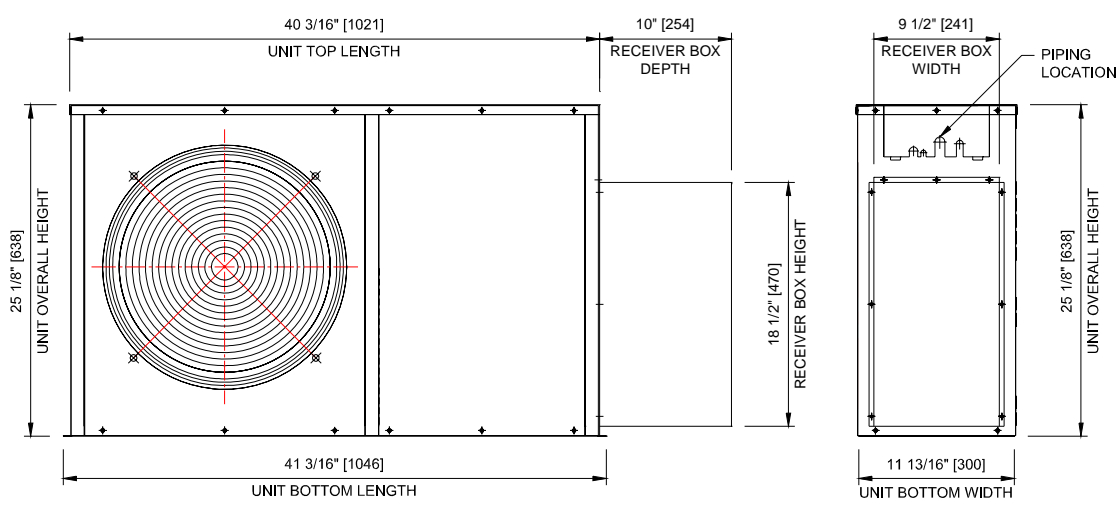
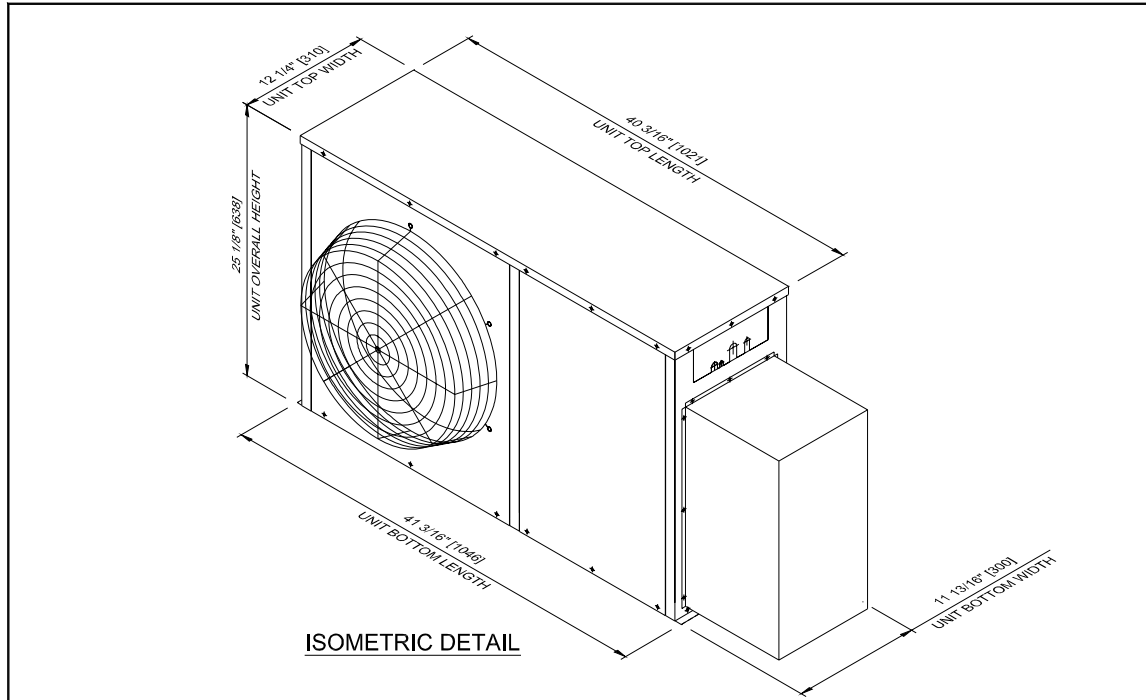
12 NOVEMBER 2002

NOT TO SCALE



SERIES 11 - DIMENSIONAL DETAIL

INTERNATIONAL OUTDOOR CONDENSING UNIT/CONDENSER WITH HEAD PRESS. CTRL.



FRONT PANEL DETAIL

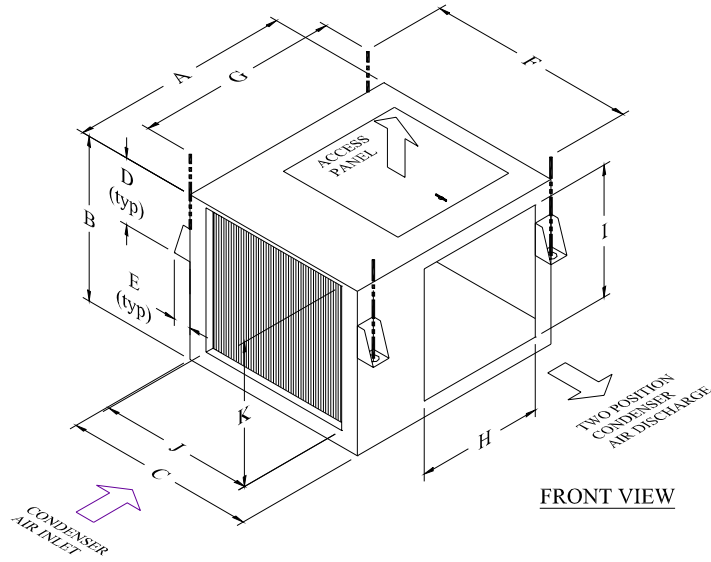
SIDE PANEL DETAIL

PIPING CONNECTION SIZE		11AR10	11AC10	11AR15	11AC15	11AR20	11AC20	11AR25	11AC25
Liquid Line	-ODM in	3/8"	3/8"	3/8"	3/8"	3/8"	3/8"	3/8"	3/8"
Suction Line	-ODM in	-	5/8"	-	5/8"	-	5/8"	-	5/8"
Discharge Line	-ODM in	1/2"	-	1/2"	-	1/2"	-	1/2"	-
Condenser Water	-ODM in	-	-	-	-	-	-	-	-
Glycol Solution	-ODM in	-	-	-	-	-	-	-	-

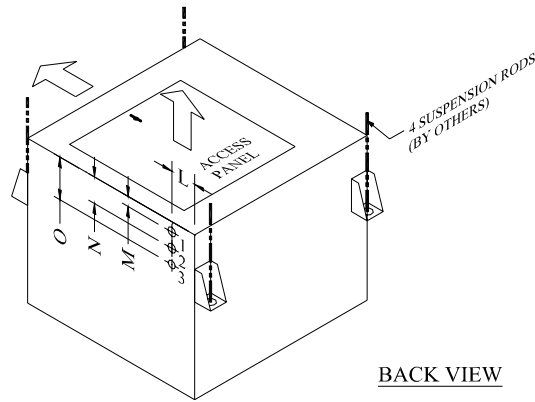
ODM - Outside Diameter of copper pipe in inches for soldering



SERIES 11- CEILING MOUNTED UNIT
INDOOR CONDENSING UNIT/ CONDENSER



FRONT VIEW



BACK VIEW

DIMENSIONAL DATA

ITEM	DIMENSION	
	INCHES	MILLIMETERS
A	24 1/2	622
B	20 1/4	514
C	23 3/4	603
D	8 1/4	210
E	2 1/4	57
F	26	660
G	25 1/4	641
H	20	508
I	17 1/4	438
J	19 1/4	489
K	17 3/4	451
L	3 1/4	83
M	1 1/4	32
N	3 1/4	83
O	5 1/4	133

PIPING CONNECTION DATA

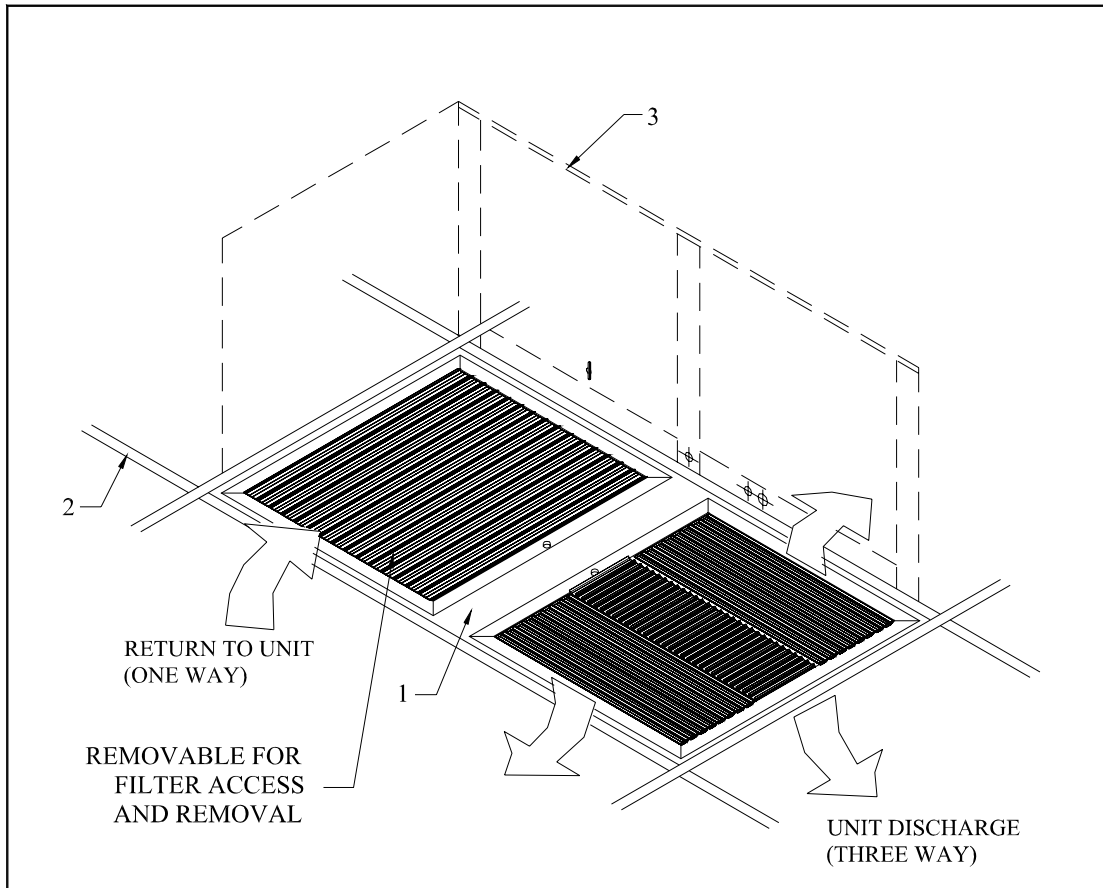
ITEM	DIAMETER (O.D.)		DESCRIPTION
	INCHES	MILLIMETERS	
1	3/8	10	Liquid Line
	1/2	13	Discharge Line
2	5/8	16	Suction Line
	1	25	Electrical Power Supply

MODELS

11RC10 Through 11RC25
11RU10 Through 11RU25



SERIES 11- CEILING MOUNTED UNIT
GRILLE AIR DISTRIBUTION



FRONT VIEW

ITEM	DESCRIPTION
1	Grille
2	Suspension T- Bar
3	Main Unit

MODELS

Available for all Series 11 units, Size 10 through 25