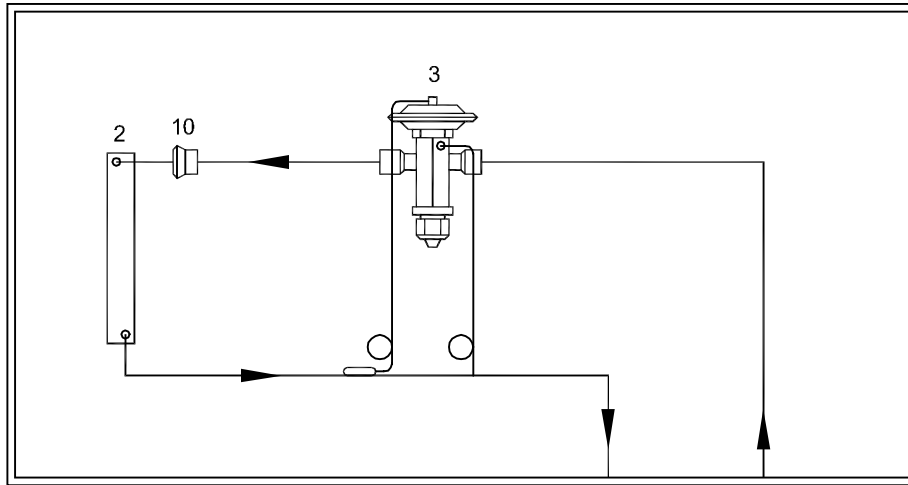
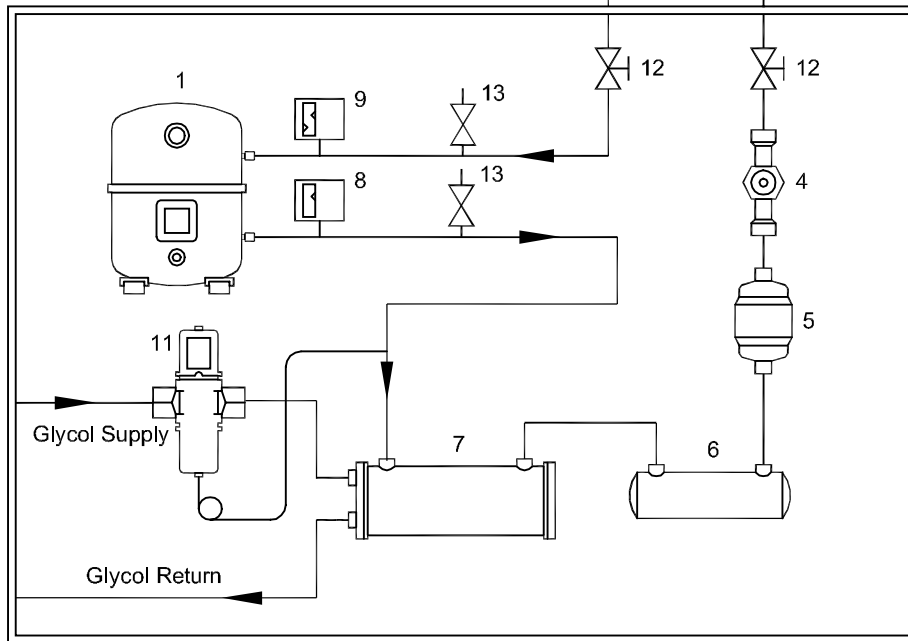
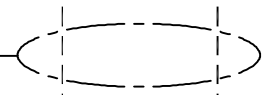


CEILING MOUNTED INDOOR EVAPORATING UNIT



Field Connection



INDOOR CONDENSING UNIT



COMPONENTS

- | | | | |
|---|------------------------------|----|--|
| 1 | Compressor | 8 | High pressure switch |
| 2 | Evaporator coil | 9 | Low pressure switch |
| 3 | Thermostatic expansion valve | 10 | Refrigerant distributor |
| 4 | Sight glass | 11 | Glycol regulating valve (Standard 2-way, optional 3-way) |
| 5 | Filter-drier | 12 | Isolation valve |
| 6 | Receiver | 13 | Access valve |
| 7 | Glycol cooled condenser | 14 | Globe valve (supplied by others) |
| | | 15 | Gate valve (supplied by others) |