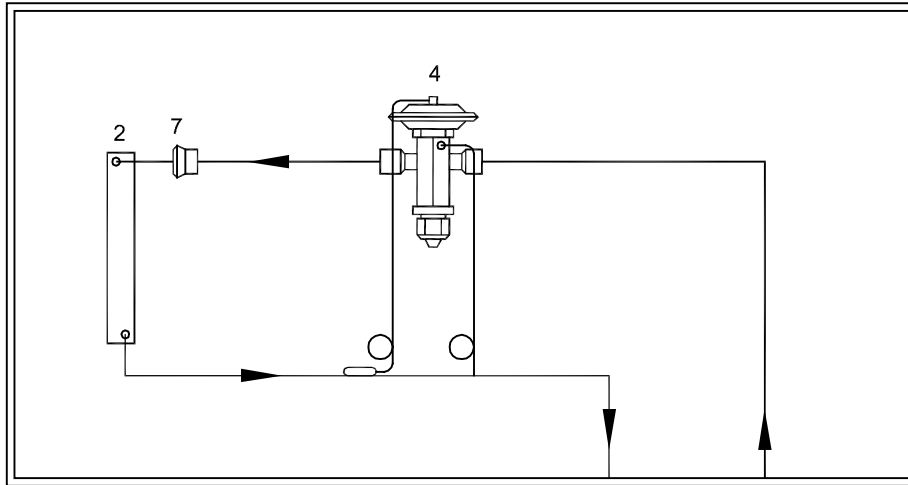
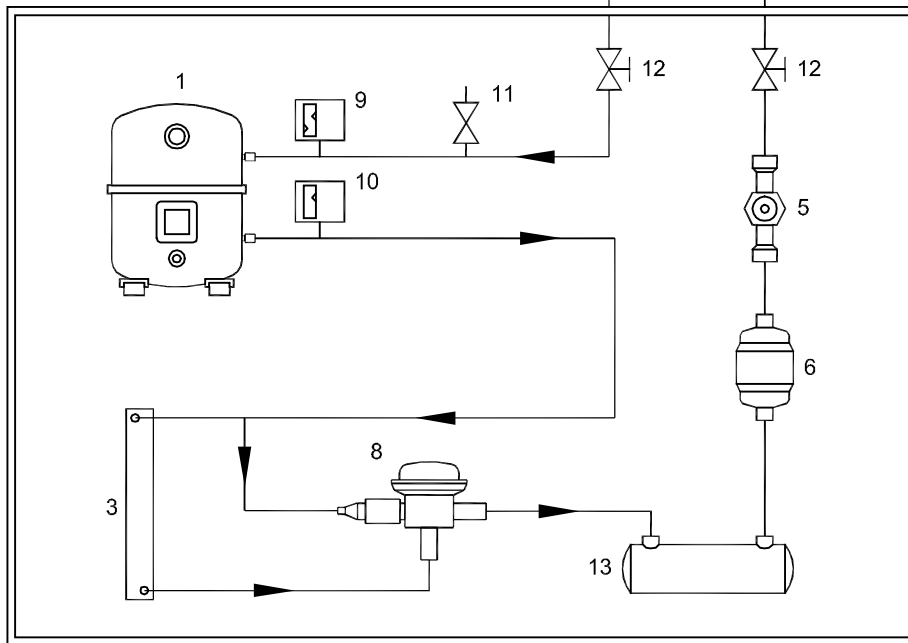


CEILING MOUNTED INDOOR EVAPORATING UNIT



Field Connection



OUTDOOR CONDENSING UNIT

COMPONENTS

- | | | | |
|---|------------------------------|----|------------------------------------|
| 1 | Compressor | 8 | Head Pressure Control Valve (OROA) |
| 2 | Evaporator Coil | 9 | Low Pressure Switch |
| 3 | Condenser Coil | 10 | High Pressure Switch |
| 4 | Thermostatic Expansion Valve | 11 | Access Valve |
| 5 | Sight Glass | 12 | Isolation Valve |
| 6 | Filter-Drier | 13 | Receiver |
| 7 | Refrigerant Distributor | | |