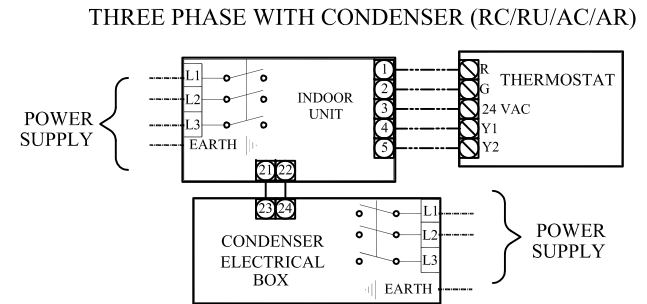
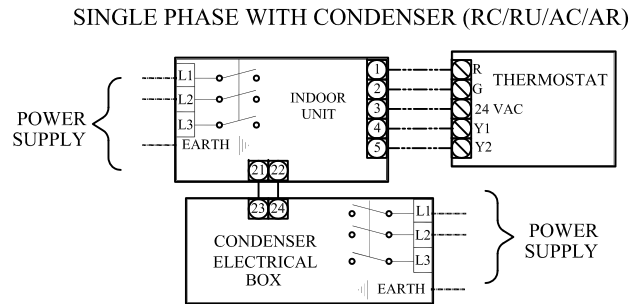
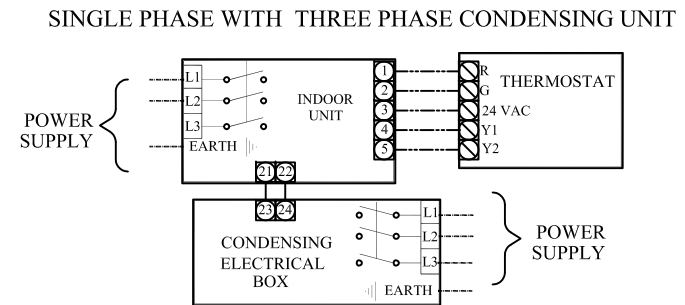
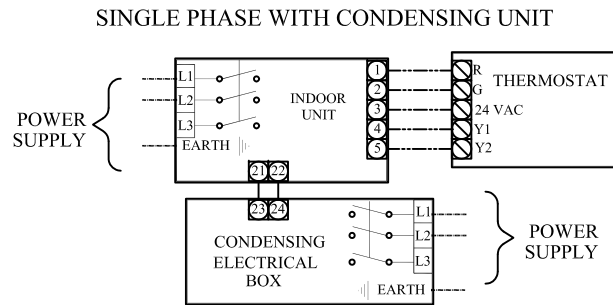
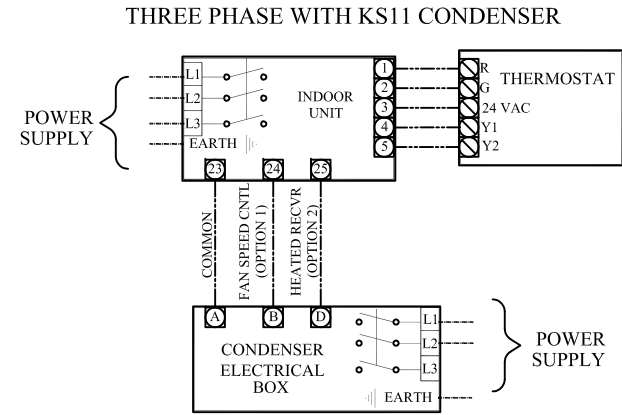
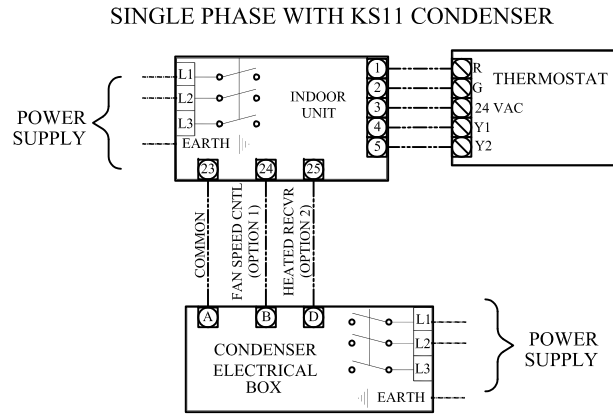


# SERIES 11 - GENERAL ELECTRICAL CONTROL PANEL DIAGRAM MASTER - THERMOSTAT INDOOR UNIT WITH CONDENSER/CONDENSING UNIT



**LEGEND**

- CONNECTION TERMINAL
- FIELD SUPPLIED LINE VOLTAGE WIRING

INTERCONNECTING WIRES	
THERMOSTAT	24VAC
FAN SPEED CONTROL	24 VAC
HEATED RECEIVER KS11	115 VAC
HEATED RECEIVER RU/AC/RC/AR	24 VAC