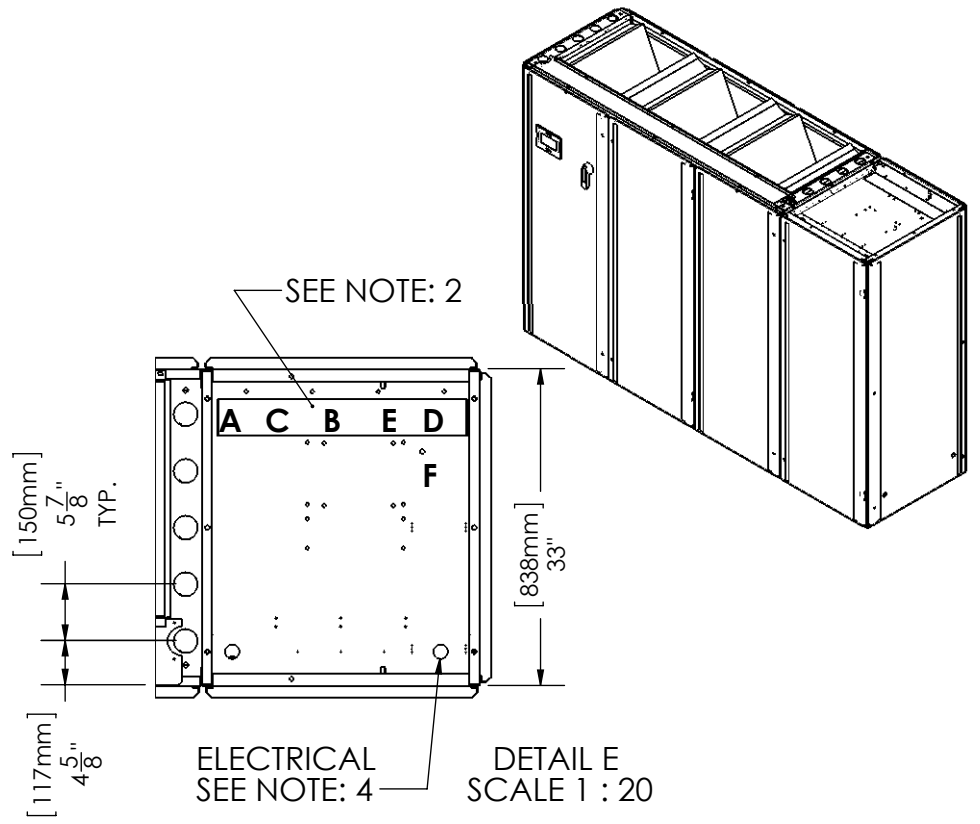
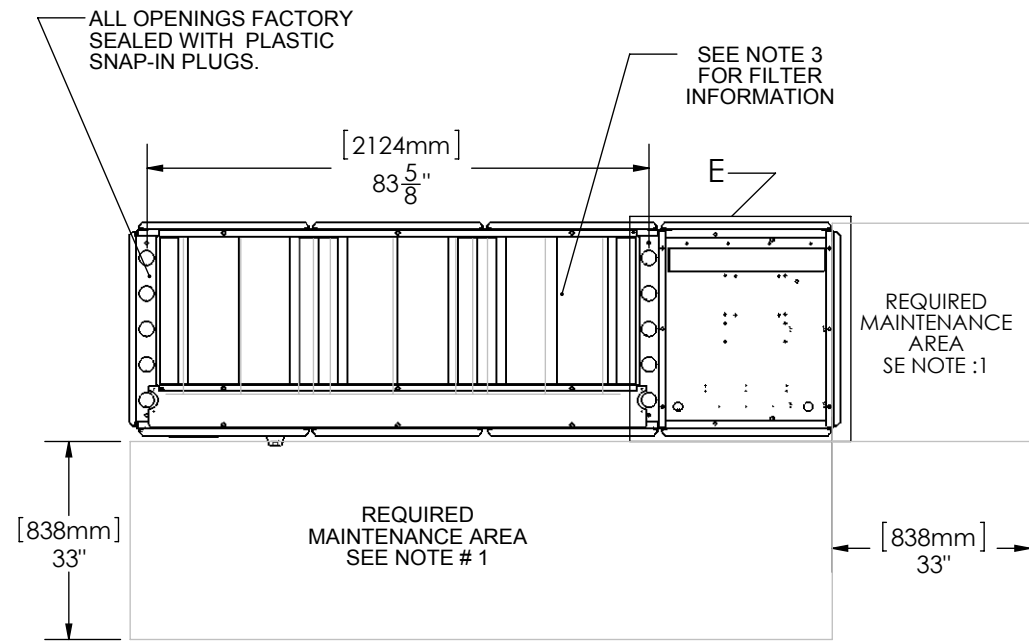


DATE PRINTED: 7/14/2014

REVISIONS			
REV.	DESCRIPTION	DATE	APPROVED
-	-	-	-
-	-	-	-



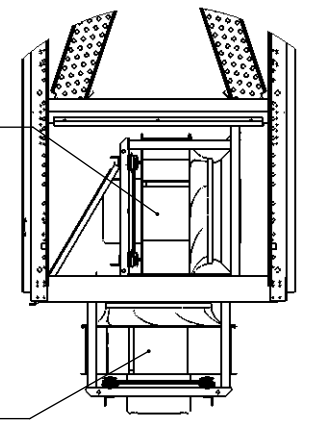
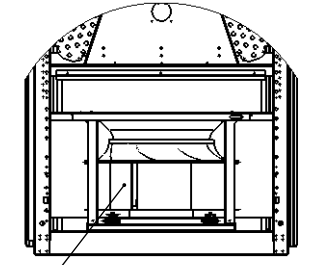
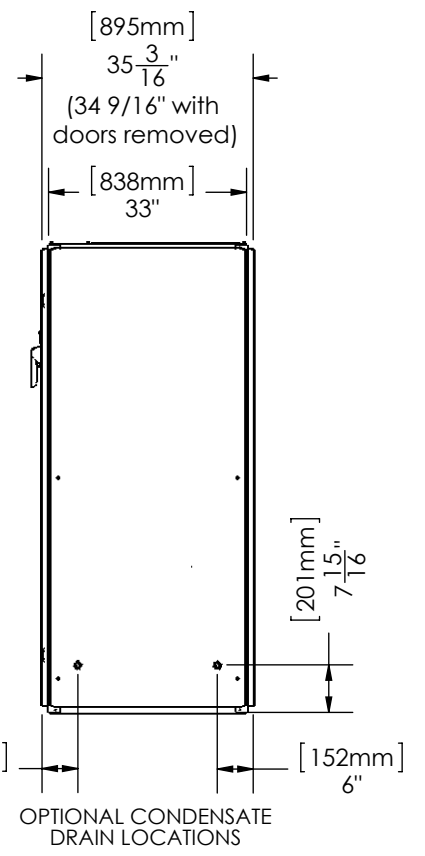
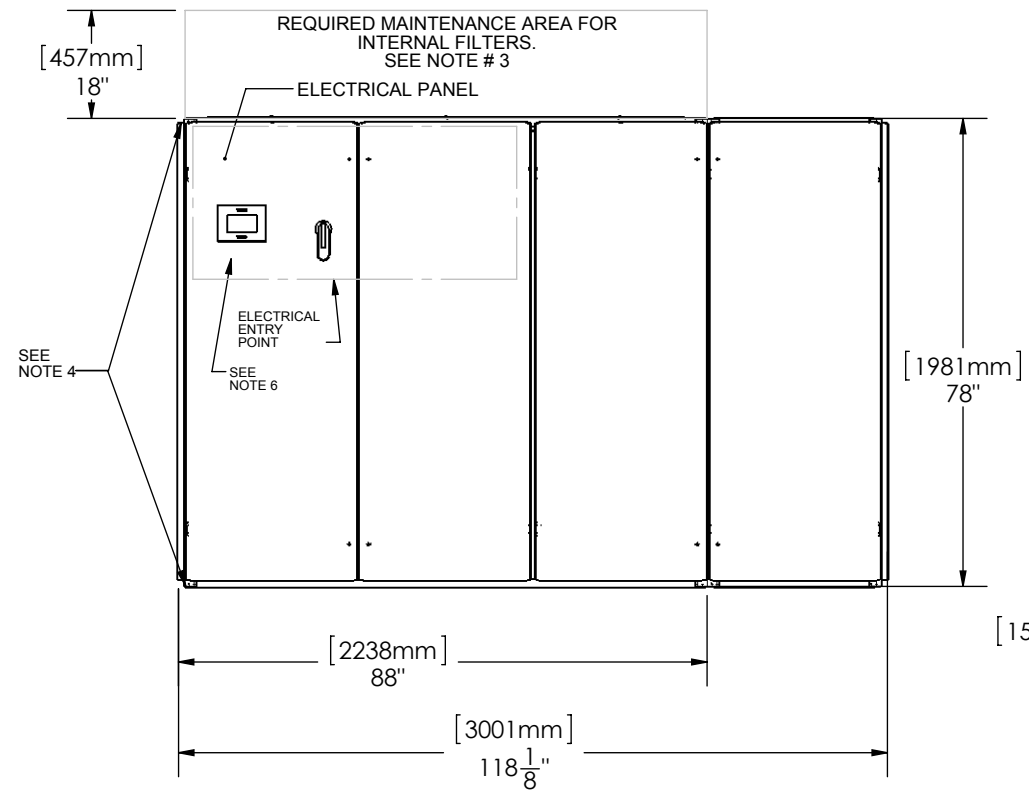
PIPING CONNECTION SIZES

A = HOT WATER REHEAT Ø 7/8" - RETURN
B = HOT WATER REHEAT Ø 7/8" - SUPPLY
C = GLYCOL SUPPLY Ø 2 1/8"
D = CONDENSATE DRAIN Ø 3/4"
E = GLYCOL RETURN Ø 2 1/8"
F = HUMIDIFIER WATER SUPPLY Ø 1/4"

NOTES:

NOTES:

- FANS, MOTORS AND ELECTRICAL PANEL ARE FRONT SERVICEABLE. VALVES, PIPING AND COMPRESSORS ARE SIDE SERVICEABLE.
- ALL PIPING THROUGH TOP PIPING HOLES UNLESS SPECIFIED AT TIME OF ORDER. UNUSED HOLES WILL BE FACTORY PLUGGED.
- IF NO RETURN AIR PLENUM FILTER BOX IS ORDERED, INTERNAL FILTER BOX SET WILL BE SUPPLIED. FILTER SIZE 20"X25", QUANTITY 6. (FILTER SIZE AND QUANTITY FOR INTERNAL FILTER BOX ONLY SEE R/A PLENUM DRAWING FOR OTHER SIZES). SEE MAINTENANCE AREA REQUIRED.
- ELECTRICAL WIRING THROUGH TOP OR BOTTOM HOLES. ALL ENTRY POINTS MUST BE SEALED BY CONTRACTOR.
- FANS AVAILABLE IN UPPER OR LOWERED POSITION. PLEASE SPECIFY WHEN ORDERED. FANS LOWERED INTO THE FLOOR WILL SHIP IN THE RAISED POSITION. SEE FACTORY LOWERING INSTRUCTIONS.
- AUTO TRANSFER SWITCH INDICATOR LIGHTS OPTIONAL.



UNLESS OTHERWISE SPECIFIED DIMENSIONS ARE IN INCHES TOLERANCES:
 FRACTIONAL ± 1/8
 ANGULAR: ± 0.5° BEND ±2°
 DECIMAL
 XXX = ±.010
 XX = ±.020
 X = ±.030
 HOLE DIA. +.003/-0.000

	BY	DATE
DRAWN	CL	07/18/2013
CHECKED	JD	07/18/2013
CNC PROGRAM		
FINISH:		
MATERIAL	THICKNESS	

		FINAL ASSEMBLY	DIMENSIONAL DETAIL DOWN FLOW
		DUAL OR FREE COOLING, PFD076-PFD087	
PART NAME		SPDD-GPB	
SIZE	DWG. NO.	REV.	SEE TABLE
B	SPDD-GPB		
BD	K	SCALE: 1:20	SHEET 1 OF 1

CONFIDENTIAL: THE COPYRIGHT OF THIS DOCUMENT IS RESERVED BY CLIMATEWORX. THIS DOCUMENT IS ISSUED ON THE CONDITION THAT IT IS NOT COPIED, REPRODUCED OR DISCLOSED TO ANY OTHER PARTY WITHOUT WRITTEN CONSENT OF CLIMATEWORX.

