



Series 6, Vertical Floor-Mount Units

Technical Data – 50Hz

Table of Contents

Table of Contents	2
Air-cooled System.....	3
Water-cooled System.....	5
Glycol-cooled System	7
Chilled-water System	9
Electrical Data	11
Dimensional Drawings	14

Air-cooled System

Model no. 6AU__ /6AD__	02	03	04	05
------------------------	----	----	----	----

Cooling Capacity - Rated at standard air volume, 35°C ambient temperature, R407c

24°C(75.2°F)DB, 50%rh

Total	kW	8.1	10.7	13.5	17.9
Sensible	kW	7.8	10.2	12.5	16.7
THR	kW	9.8	13.0	16.7	21.9

24°C(75.2°F)DB, 45%rh

Total	kW	7.9	10.5	13.2	17.7
Sensible	kW	7.9	10.5	13.2	17.7
THR	kW	9.6	12.8	16.4	21.6

22°C(71.6°F)DB, 50%rh

Total	kW	7.7	10.3	12.8	17.0
Sensible	kW	7.2	9.8	12.4	16.2
THR	kW	9.3	12.5	16.1	21.0

22°C(71.6°F)DB, 45%rh

Total	kW	7.5	10.1	12.6	16.8
Sensible	kW	7.5	10.1	12.6	16.8
THR	kW	9.2	12.4	15.9	20.7

20°C(68.0°F)DB, 50%rh

Total	kW	7.3	9.7	12.3	16.2
Sensible	kW	6.9	9.7	12.2	15.9
THR	kW	9.0	12.0	15.4	20.1

20°C(68.0°F)DB, 45%rh

Total	kW	7.1	9.5	12.0	16.0
Sensible	kW	7.1	9.5	12.0	16.0
THR	kW	8.8	11.9	15.2	20.0

Fan Section - Single belt, variable pitch, single shaft centrifugal blower system

Standard Air Volume	m ³ /h	2380	3230	4080	5100
External Static Pressure	Pa	75	75	75	75
Quantity of Fans		1	1	1	1
Total Fan Motor Power	kW	0.75	0.75	0.75	1.12
Absorbed Power	kW	0.18	0.31	0.54	1.03

Compressor - Refrigerant R407c

Quantity of Compressors	1	1	1	1
Type	Scroll	Scroll	Scroll	Scroll

Model no. 6AU__/6AD__	02	03	04	05	
Evaporator Coil - Copper tube / aluminium fin - Stainless steel drain pan					
Face Area	m ²	0.58	0.58	0.58	0.58
Rows deep	D	3	3	3	4
Fins per inch		12	12	12	12
Face Velocity	m/s	1.14	1.55	1.95	2.44
Reheat Section - Electric Reheat - finned tubular type heater, SCR controlled					
Capacity	kW	6	6	6	6
Quantity of Heaters		3	3	3	3
Humidifier - Electrode boiler type, Serviceable Bottle					
Steam Generation Capacity	kg/h	4.5	4.5	4.5	4.5
Humidifier Power	kW	3.4	3.4	3.4	3.4
Filter Section - Pleated disposable type					
Quantity of Filters		3	3	3	3
Nominal Size	LxWxD mm	610 x 457 x 51			
Piping Connection Size					
Liquid line - DM	mm	13	13	13	13
Hot Gas Line - ODM	-mm	22	22	22	22
Humidifier Water - ODM	-mm	6.4	6.4	6.4	6.4
Condensate drain - DM	mm	19	19	19	19
Physical Details					
Width x Depth x Height	mm	915 x 637 x 1880			
Weight	kg	235	265	265	270
Air Cooled Condenser - Factory Matched					
Model*		SC62SE	SC62SE	SC62SE	SC63SE
No. of condenser coils		1	1	1	1

Water-cooled System

Model no. 6WU__/6WD__		02	03	04	05
Cooling Capacity - Rated at standard air volume, 35°C ambient temperature, R407c					
24°C(75.2°F)DB, 50%rh					
Total	kW	8.0	10.8	14.1	18.1
Sensible	kW	7.8	10.2	12.8	16.9
THR	kW	9.7	13.1	17.3	22.0
24°C(75.2°F)DB, 45%rh					
Total	kW	7.8	10.6	13.8	17.9
Sensible	kW	7.8	10.6	13.8	17.9
THR	kW	9.5	12.9	17.0	21.9
22°C(71.6°F)DB, 50%rh					
Total	kW	7.6	10.3	13.3	17.2
Sensible	kW	7.2	9.8	12.5	16.2
THR	kW	9.2	12.5	16.5	21.2
22°C(71.6°F)DB, 45%rh					
Total	kW	7.4	10.1	13.0	17.0
Sensible	kW	7.4	10.1	13.0	17.0
THR	kW	9.1	12.4	16.2	20.9
20°C(68.0°F)DB, 50%rh					
Total	kW	7.1	9.7	12.5	16.3
Sensible	kW	6.8	9.6	12.4	16.0
THR	kW	8.8	12.0	15.8	20.2
20°C(68.0°F)DB, 45%rh					
Total	kW	7.0	9.5	12.4	16.1
Sensible	kW	7.0	9.5	12.4	16.1
THR	kW	8.7	11.8	15.5	20.0
Fan Section - Single belt, variable pitch, single shaft centrifugal blower system					
Standard Air Volume	m ³ /h	2380	3230	4080	5100
External Static Pressure	Pa	75	75	75	75
Quantity of Fans		1	1	1	1
Total Fan Motor Power	kW	0.75	0.75	0.75	1.12
Absorbed Power	kW	0.18	0.31	0.54	1.03
Compressor - Refrigerant R407c					
Quantity of Compressors		1	1	1	1
Type		Scroll	Scroll	Scroll	Scroll

Model no.	6WU__ /6WD__	02	03	04	05
Evaporator Coil - Copper tube / aluminium fin - Stainless steel drain pan					
Face Area	m ²	0.58	0.58	0.58	0.58
Rows eep	D	3	3	3	4
Fins per inch		12	12	12	12
Face Velocity	m/s	1.14	1.54	1.95	2.44
Reheat Section – Electric Reheat - finned tubular type heater, SCR controlled					
Capacity	kW	6	6	6	6
Quantity of Heaters		3	3	3	3
Humidifier - Electrode boiler type, Serviceable Bottle					
Steam Generation Capacity	kg/h	4.5	4.5	4.5	4.5
Humidifier Power	kW	3.4	3.4	3.4	3.4
Filter Section - Pleated disposable type					
Quantity of Filters		3	3	3	3
Nominal Size	LxWxD mm	610 x 457 x 51	610 x 457 x 51	610 x 457 x 51	610 x 457 x 51
Condensing Water Requirement					
35°C EWT					
Flow Rate	l/s	0.33	0.40	0.54	0.77
Unit Pressure Drop	kPa	26.9	28.3	37.4	47.5
32.2°C EWT					
Flow Rate	l/s	0.21	0.28	0.41	0.51
Unit Pressure Drop	kPa	15.9	18.3	24.5	24.2
Water Regulating Valve - 3-way, head pressure controlled					
Size	m	9.5	19.1	19.1	19.1
Piping Connection Size					
Liquid line	-L DM-mm	O 13	13	13	13
Hot Gas Line	- ODM-mm	22	22	22	22
Humidifier Water	- ODM-mm	6.4	6.4	6.4	6.4
Condensate rain	- DM-mm	O 19	19	19	19
Condensing Water	- ODM-mm	12.7	22	22	22
Physical Details					
Width x Depth x Height	mm	915 x 637 x 1880			
Weight	k g	264	276	276	281

Glycol-cooled System

Model no. 6GU__/6GD__		02	03	04	05
Cooling Capacity - Rated at standard air volume, 35°C ambient temperature, R407c					
24°C(75.2°F)DB, 50%rh					
Total	kW	8.0	10.8	14.1	18.1
Sensible	kW	7.8	10.2	12.8	16.9
THR	kW	9.7	13.1	17.3	22.0
24°C(75.2°F)DB, 45%rh					
Total	kW	7.8	10.6	13.8	17.9
Sensible	kW	7.8	10.6	13.8	17.9
THR	kW	9.5	12.9	17.0	21.9
22°C(71.6°F)DB, 50%rh					
Total	kW	7.6	10.3	13.3	17.2
Sensible	kW	7.2	9.8	12.5	16.2
THR	kW	9.2	12.5	16.5	21.2
22°C(71.6°F)DB, 45%rh					
Total	kW	7.4	10.1	13.0	17.0
Sensible	kW	7.4	10.1	13.0	17.0
THR	kW	9.1	12.4	16.2	20.9
20°C(68.0°F)DB, 50%rh					
Total	kW	7.1	9.7	12.5	16.3
Sensible	kW	6.8	9.6	12.4	16.0
THR	kW	8.8	12.0	15.8	20.2
20°C(68.0°F)DB, 45%rh					
Total	kW	7.0	9.5	12.4	16.1
Sensible	kW	7.0	9.5	12.4	16.1
THR	kW	8.7	11.8	15.5	20.0
Fan Section - Single belt, variable pitch, single shaft centrifugal blower system					
Standard Air Volume	m ³ /h	2380	3230	4080	5100
External Static Pressure	Pa	75	75	75	75
Quantity of Fans		1	1	1	1
Total Fan Motor Power	kW	0.75	0.75	0.75	1.12
Absorbed Power	kW	0.18	0.31	0.54	1.03
Compressor - Refrigerant R407c					
Quantity of Compressors		1	1	1	1
Type		Scroll	Scroll	Scroll	Scroll

Model no.	6GU__/6GD__	02	03	04	05
Evaporator Coil - Copper tube / aluminium fin - Stainless steel drain pan					
Face Area	m ²	0.58	0.58	0.58	0.58
Rows eep	D	3	3	3	4
Fins per inch		12	12	12	12
Face Velocity	m/s	1.14	1.54	1.95	2.44
Reheat Section – Electric Reheat - finned tubular type heater, SCR controlled					
Capacity	kW	6	6	6	6
Quantity of Heaters		3	3	3	3
Humidifier - Electrode boiler type, Serviceable Bottle					
Steam Generation Capacity	kg/h	4.5	4.5	4.5	4.5
Humidifier Power	kW	3.4	3.4	3.4	3.4
Filter Section - Pleated disposable type					
Quantity of Filters		3	3	3	3
Nominal Size	LxWxD mm	610 x 457 x 51	610 x 457 x 51	610 x 457 x 51	610 x 457 x 51
Glycol Solution Requirement					
40.5°C EWT					
Flow Rate	l/s	0.49	0.64	0.95	1.19
Unit Pressure Drop	kPa	28.3	44.7	51.0	62.8
35°C EWT					
Flow Rate	l/s	0.34	0.39	0.57	0.74
Unit Pressure Drop	kPa	13.1	16.4	20.7	27.2
Glycol Solution Regulating Valve - 3-way, head pressure controlled					
Size m	m	19.1	19.1	25.4	25.4
Piping Connection Size					
Liquid line	-L DM-mm	O 13	13	13	13
Hot Gas Line	- ODM-mm	15.9	15.9	15.9	15.9
Humidifier Water	- ODM-mm	6.4	6.4	6.4	6.4
Condensate rain	- DM-mm	O 19	19	19	19
Glycol Solution	- ODM-mm	22	22	28.6	28.6
Physical Details					
Width x Depth x Height	mm	915 x 637 x 1880			
Weight k	g	273	285	285	290

Chilled-water System

Model no.	6CU__ /6CD__	02	03	04	05
Cooling Capacity - Rated at standard air volume, 7.2°C entering water & 5.6°C temperature rise					
26°C(78.8°F)DB, 50%rh					
Total k	W	12.5	16.3	19.4	28.3
Sensible	kW	9.7	12.3	14.7	21.0
Flow Rate	l/s	0.54	0.70	0.83	1.22
Coil Pressure Drop	kPa	13	22	29	77
26°C(78.8°F)DB, 45%rh					
Total k	W	11.3	14.7	17.4	25.3
Sensible	kW	9.9	12.6	15.0	21.2
Flow Rate	l/s	0.48	0.63	0.74	1.09
Coil Pressure Drop	kPa	11	18	24	63
24°C(75.2°F)DB, 50%rh					
Total	kW	9.8	12.8	15.1	22.0
Sensible	kW	8.5	10.8	12.9	18.3
Flow Rate	l/s	0.42	0.55	0.65	0.95
Coil Pressure Drop	kPa	9	14	19	49
24°C(75.2°F)DB, 45%rh					
Total	kW	8.7	11.0	13.1	20.1
Sensible	kW	8.7	11.0	13.1	18.8
Flow Rate	l/s	0.37	0.47	0.56	0.86
Coil Pressure Drop	kPa	8	11	15	42
22°C(71.6°F)DB, 50%rh					
Total k	W	7.4	9.3	11.1	15.9
Sensible k	W	7.4	9.3	11.1	15.9
Flow Rate	l/s	0.32	0.40	0.47	0.68
Coil Pressure Drop	kPa	5	8	11	28
22°C(71.6°F)DB, 45%rh					
Total k	W	7.4	9.3	11.1	15.9
Sensible k	W	7.4	9.3	11.1	15.9
Flow Rate	l/s	0.32	0.40	0.47	0.68
Coil Pressure Drop	kPa	5	8	11	28
Fan Section - Single belt, variable pitch, single shaft centrifugal blower system					
Standard Air Volume	m ³ /h	2380	3230	4080	5100
External Static Pressure	Pa	75	75	75	75
Quantity of Fans		1	1	1	1
Total Fan Motor Power	kW	0.75	0.75	0.75	1.12
Absorbed Power	kW	0.18	0.31	0.54	1.03

Model no.	6CU__/6CD__	02	03	04	05
Evaporator Coil - Copper tube / aluminium fin - Stainless steel drain pan					
Face Area	m ²	0.58	0.58	0.58	0.58
Rows	Deep D	3	3	4	4
Fins per inch		12	12	12	12
Face Velocity	m/s	1.14	1.55	1.95	2.44
Reheat Section - Electric Reheat - finned tubular type heater, SCR controlled					
Capacity	kW	6	6	6	6
Quantity of Heaters		3	3	3	3
Humidifier - Electrode boiler type, Serviceable Bottle					
Steam Generation Capacity	kg/h	4.5	4.5	4.5	4.5
Humidifier Power	kW	3.4	3.4	3.4	3.4
Filter Section - Pleated disposable type					
Quantity of Filters		3	3	3	3
Nominal Size	LxWxD mm	610 x 457 x 51	610 x 457 x 51	610 x 457 x 51	610 x 457 x 51
Chilled-water Valve - 3-Way modulating					
Valve Size	mm	25.4	25.4	25.4	25.4
Piping Connection Size					
Chilled-water - ODM	mm	29	29	29	29
Humidifier Water - ODM	mm	6.4	6.4	6.4	6.4
Condensate Drain- ODM	mm	19	19	19	19
Physical Details					
Width x Depth x Height	mm	915 x 637 x 1880			
Weight	k g	235	235	240	240

Electrical Data

Air/Water/Glycol Cooled Systems*†

<i>Model</i>	<i>6_02</i>			<i>6_03</i>			<i>6_04</i>			<i>6_05</i>		
Reheat Option / Humidifier Option	FLA	MCA	MFS	FLA	MCA	MFS	FLA	MCA	MFS	FLA	MCA	MFS
Electric / Boiler	16.5	19.7	25	17.9	21.4	25.0	19.7	23.7	25.0	22.3	26.7	30.0
Electric / None	16.5	19.7	25	17.9	21.4	25.0	19.7	23.7	25.0	22.3	26.7	30.0
None, Non-electric / Boiler	16.3	19.4	25	17.7	21.2	25.0	19.5	23.4	25.0	22.1	26.5	30.0
None, Non-electric / None	7.3	8.3	15	8.7	10.0	15.0	10.5	12.3	20.0	13.1	15.3	25.0

Chilled Water Systems*

<i>Model</i>	<i>6CU02/6CD02</i>			<i>6CU03/6CD03</i>			<i>6CU04/6CD04</i>			<i>6CU05/6CD05</i>		
Reheat Option / Humidifier Option	FLA	MCA	MFS	FLA	MCA	MFS	FLA	MCA	MFS	FLA	MCA	MFS
Electric / Boiler	20.4	22.8	25	20.4	22.8	25.0	20.4	22.8	25.0	21.2	23.8	25.0
Electric / None	11.5	13.9	15	11.5	13.9	15.0	11.5	13.9	15.0	12.3	14.9	20.0
None, Non-electric / Boiler	11.3	13.7	15	11.3	13.7	15.0	11.3	13.7	15.0	12.1	14.7	20.0
None, Non-electric / None	2.3	2.5	15	2.3	2.5	15.0	2.3	2.5	15.0	3.1	3.5	15.0

† Above FLA does not include air-cooled condenser amps.

• FLA is based on full load current of individual components that result in maximum electrical load condition during normal operation.

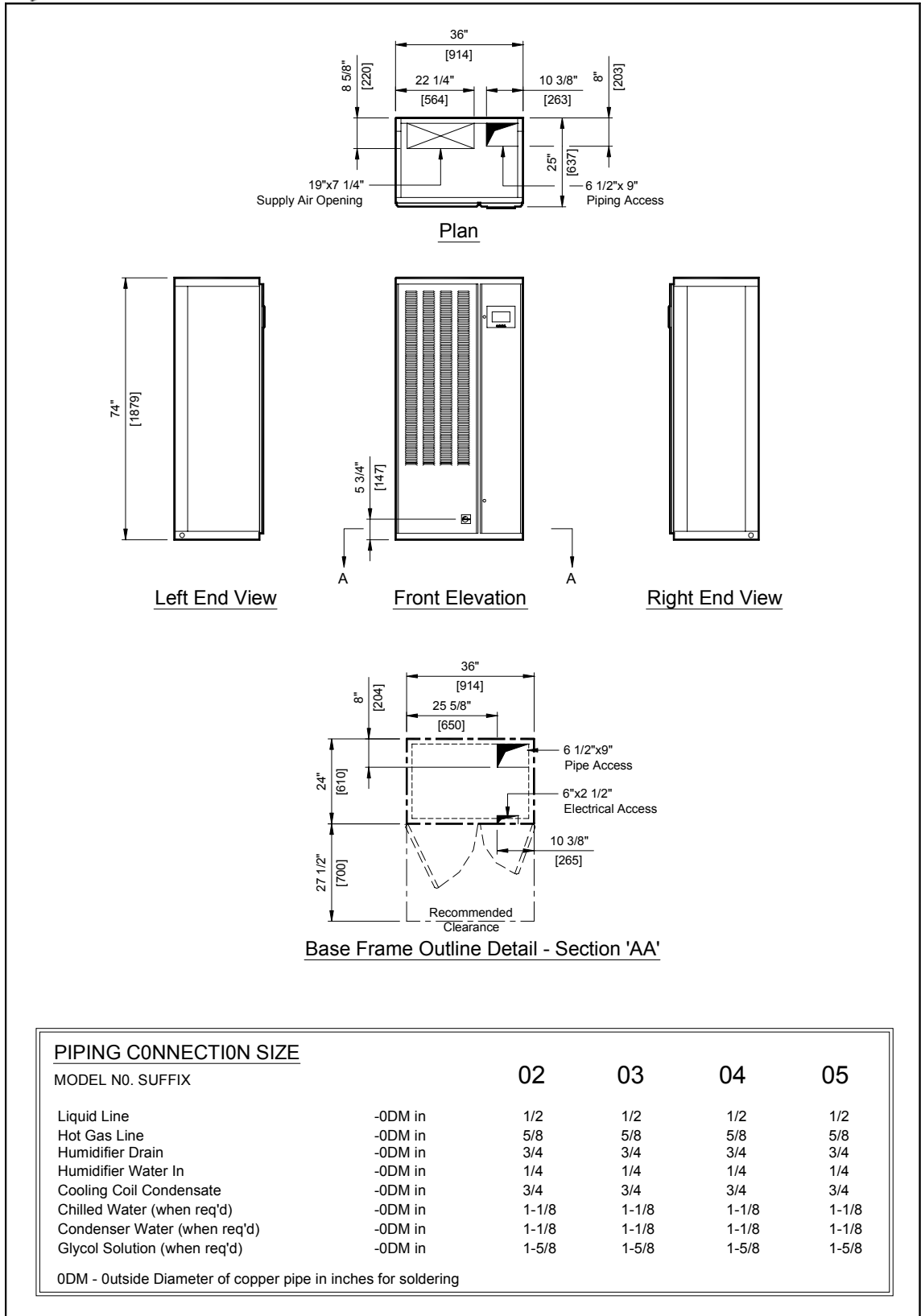
FLA = Full Load Amps, MCA = Minimum Circuit Ampacity, MFS = Maximum Fuse Size

Dimensional Drawings

<u>Drawing Title</u>	<u>Drawing Number</u>
Upflow System	S6DD101
Downflow System	S6DD102
Upflow System with Ducted Return Plenum	S6DD103
Downflow System with Ducted Return Plenum	S9DD104



**SERIES 6 - VERTICAL FLOOR MOUNT UPFLOW UNIT
DIMENSIONAL DETAIL**



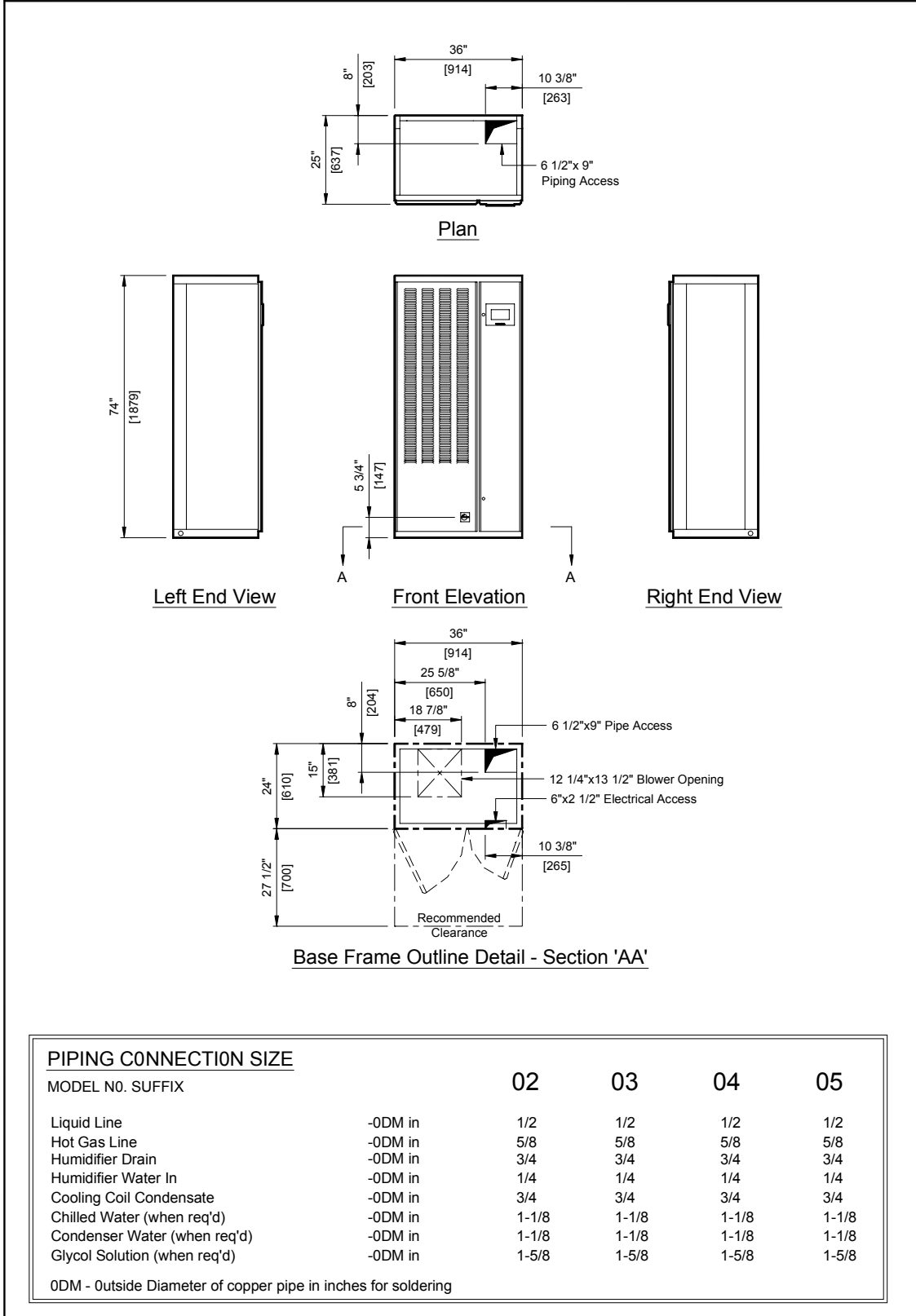
S6DD101A

25 JULY 2001

NOT TO SCALE



SERIES 6 - VERT. FLOOR MOUNT DOWNFLOW UNIT
DIMENSIONAL DETAIL



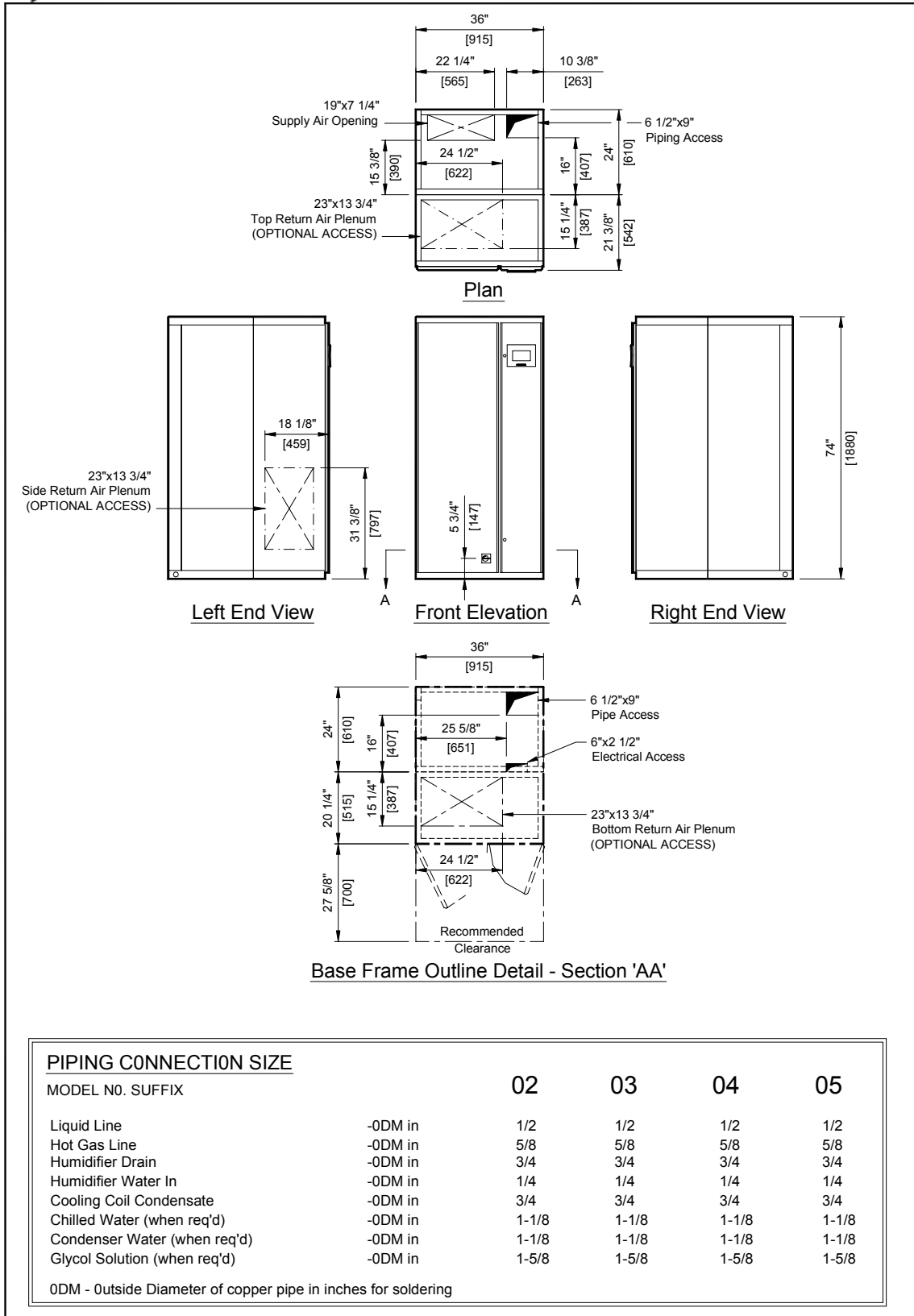
S6DD102A

25 JULY 2001

NOT TO SCALE



SERIES 6 - VERT. FLOOR MOUNT UPFLOW UNIT DUCTED RETURN PLENUM DIMENSIONAL DETAIL



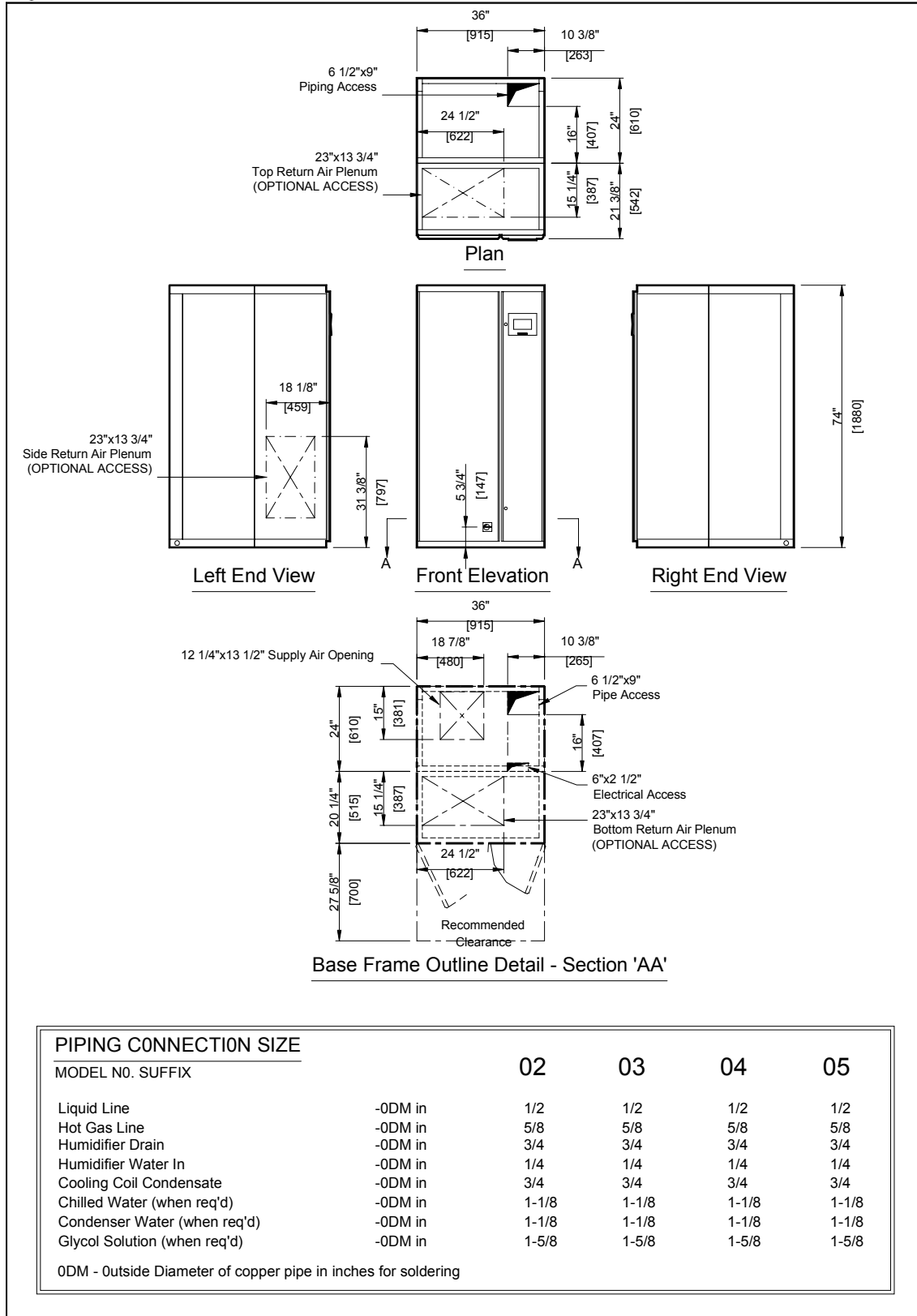
S6DD103A

30 JULY 2001

NOT TO SCALE



**SERIES 6 - VERT. FLOOR MOUNT DOWNFLOW UNIT
DUCTED RETURN PLENUM DIMENSIONAL DETAIL**



PIPING CONNECTION SIZE

MODEL NO. SUFFIX		02	03	04	05
Liquid Line	-ODM in	1/2	1/2	1/2	1/2
Hot Gas Line	-ODM in	5/8	5/8	5/8	5/8
Humidifier Drain	-ODM in	3/4	3/4	3/4	3/4
Humidifier Water In	-ODM in	1/4	1/4	1/4	1/4
Cooling Coil Condensate	-ODM in	3/4	3/4	3/4	3/4
Chilled Water (when req'd)	-ODM in	1-1/8	1-1/8	1-1/8	1-1/8
Condenser Water (when req'd)	-ODM in	1-1/8	1-1/8	1-1/8	1-1/8
Glycol Solution (when req'd)	-ODM in	1-5/8	1-5/8	1-5/8	1-5/8

ODM - Outside Diameter of copper pipe in inches for soldering