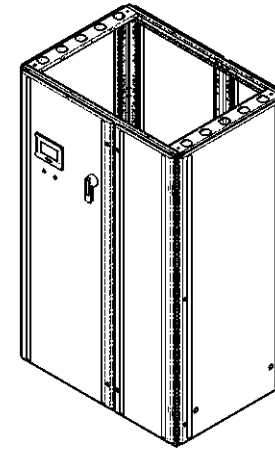
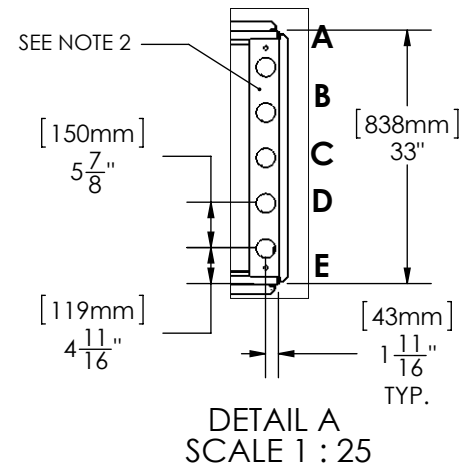
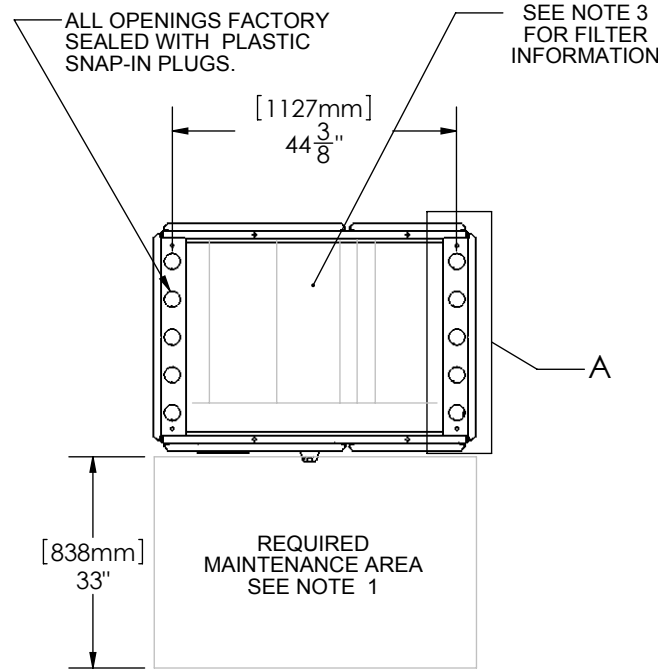


DATE PRINTED: 3/28/2013

REVISIONS			
REV.	DESCRIPTION	DATE	APPROVED
-	-	-	-
-	-	-	-



**PIPING CONNECTION SIZES**

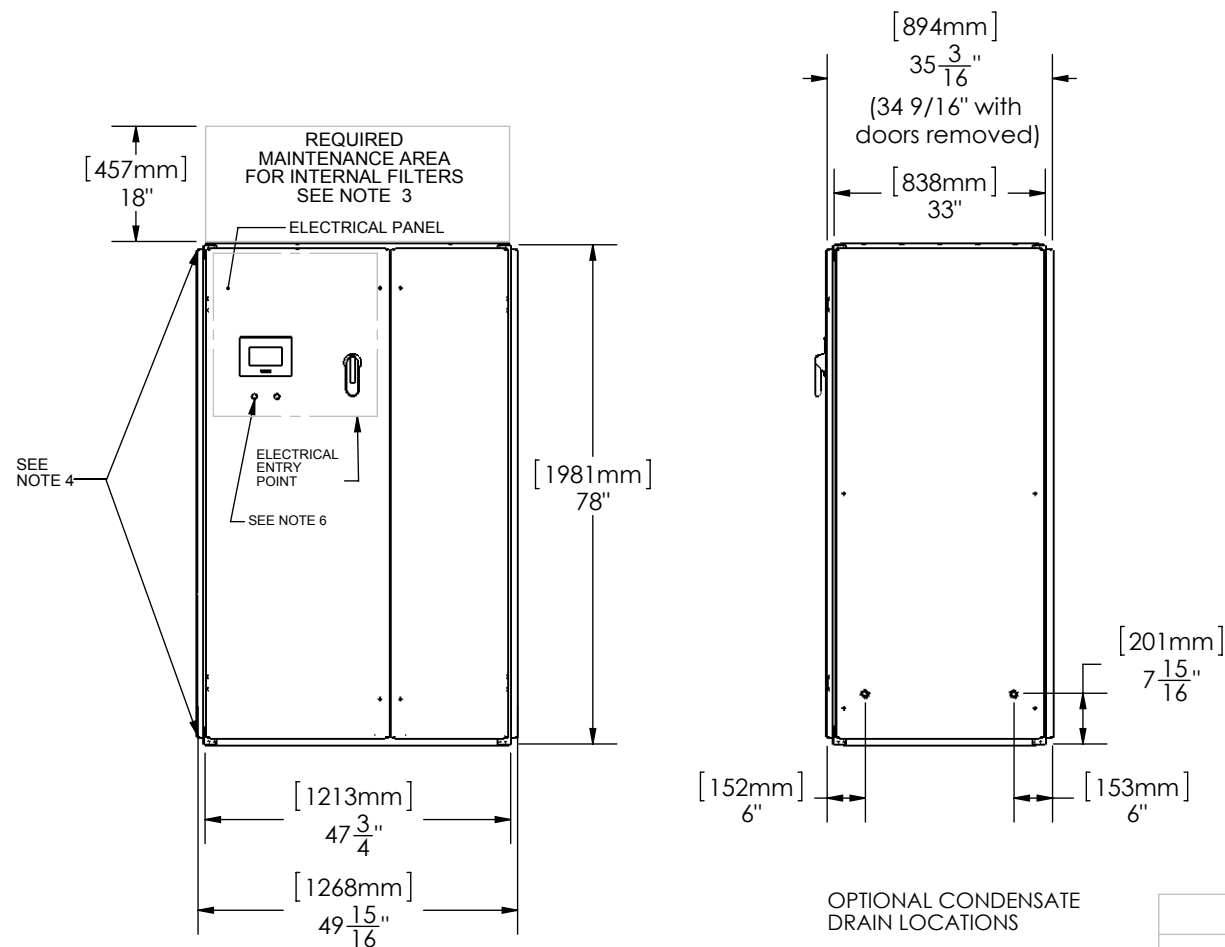
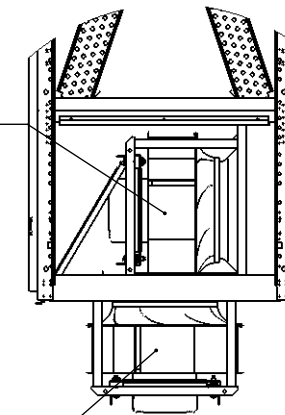
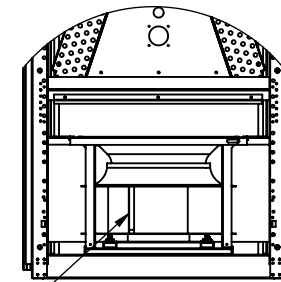
SINGLE CIRCUIT CHILLED WATER PCD XXX
A = HOT WATER REHEAT Ø 7/8" - RETURN
B = HOT WATER REHEAT Ø 7/8" - SUPPLY
C = CHILLED WATER Ø 1 1/8" - SUPPLY
D = CONDENSATE DRAIN Ø 3/4"
E = CHILLED WATER Ø 1 1/8" - RETURN

DUAL CIRCUIT CHILLED WATER PJD XXX
A = CHILLED WATER B Ø 1 1/8" - RETURN
B = CHILLED WATER B Ø 1 1/8" - SUPPLY
C = CHILLED WATER A Ø 1 1/8" - SUPPLY
D = CONDENSATE DRAIN Ø 3/4"
E = CHILLED WATER A Ø 1 1/8" - RETURN

**NOTES:**

**NOTES:**

- FANS, MOTORS, VALVES AND ELECTRICAL PANEL ARE FRONT SERVICEABLE.
- ALL PIPING THROUGH BOTTOM PIPING HOLES UNLESS SPECIFIED AT TIME OF ORDER. UNUSED HOLES WILL BE FACTORY PLUGGED.
- IF NO RETURN AIR PLENUM FILTER BOX IS ORDERED, INTERNAL FILTER BOX SET WILL BE SUPPLIED. FILTER SIZE 20"X25", QUANTITY 3. (FILTER SIZE AND QUANTITY FOR INTERNAL FILTER BOX ONLY SEE R/A PLENUM DRAWING FOR OTHER SIZES). SEE MAINTENANCE AREA REQUIRED.
- ELECTRICAL WIRING THROUGH TOP OR BOTTOM HOLES. ALL ENTRY POINTS MUST BE SEALED BY CONTRACTOR.
- FANS AVAILABLE IN UPPER OR LOWERED POSITION. PLEASE SPECIFY WHEN ORDERED. FANS LOWERED INTO THE FLOOR WILL SHIP IN THE RAISED POSITION. SEE FACTORY LOWERING INSTRUCTIONS.
- AUTO TRANSFER SWITCH INDICATOR LIGHT S OPTIONAL.



**CONFIDENTIAL:** THE COPYRIGHT OF THIS DOCUMENT IS RESERVED BY CLIMATEWORX. THIS DOCUMENT IS ISSUED ON THE CONDITION THAT IT IS NOT COPIED, REPRODUCED OR DISCLOSED TO ANY OTHER PARTY WITHOUT WRITTEN CONSENT OF CLIMATEWORX.

UNLESS OTHERWISE SPECIFIED DIMENSIONS ARE IN INCHES TOLERANCES:  
 FRACTIONAL: ± 1/8  
 ANGULAR: ± 0.5° BEND ± 2°  
 DECIMAL  
 XXX = ± .010  
 XX = ± .020  
 X = ± .030  
 HOLE DIA. +.003/- .000

THIRD ANGLE PROJECTION

	BY	DATE
DRAWN	I.Z.	11/11/2009
CHECKED	G.N.	11/11/2009
CNC PROGRAM		
FINISH:		
MATERIAL	N/A	THICKNESS N/A



FINAL ASSEMBLY  
 P SERIES, DOWNFLOW

PART NAME  
 D SIZE, SUBMITTAL

SIZE DWG. NO. SPDD-DP REV. SEE TABLE

BD N/A K SCALE: 1:20 SHEET 1 OF 1