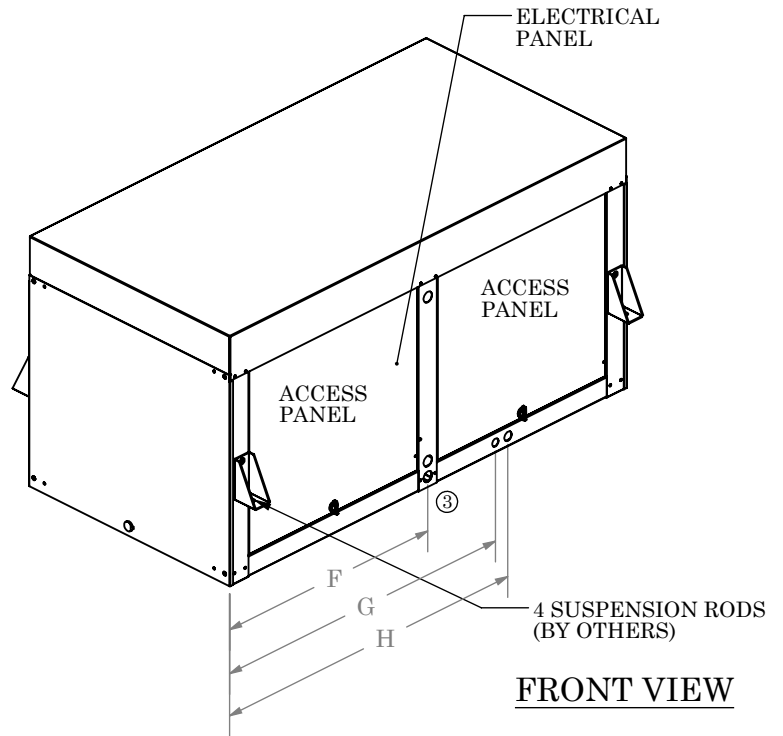
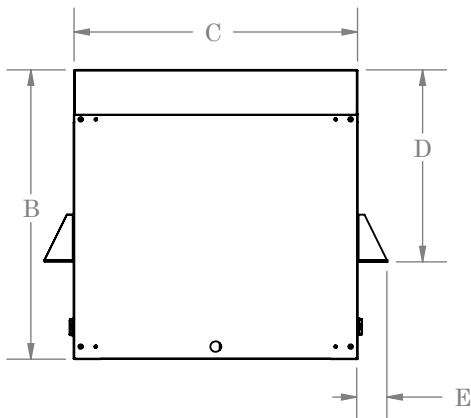


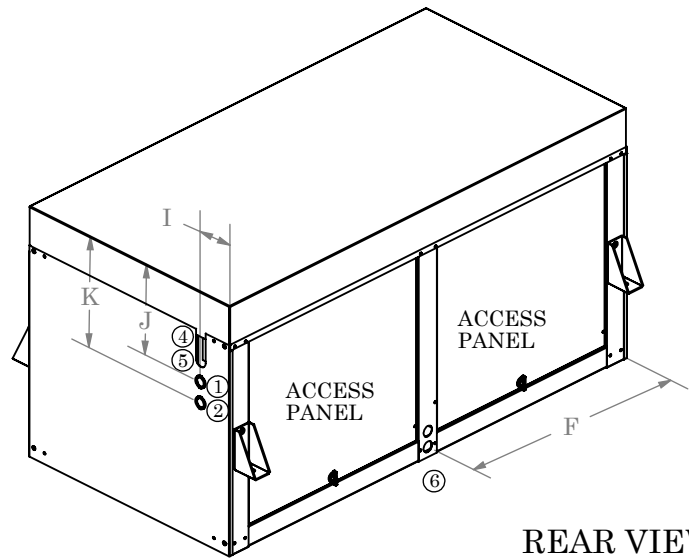
TOP VIEW



FRONT VIEW



SIDE VIEW



REAR VIEW

ITEM	DIMENSION	
	INCHES	MILLIMETERS
A	46 3/4	1187
B	24	610
C	23 3/4	603
D	16	406
E	2 1/2	64
F	23 1/2	597
G	31 1/2	800
H	33	838
I	3 1/4	83
J	8 3/4	222
K	10 3/4	273
L	26	660
M	44	1118

MODELS

11DX30, 11WX30
11CW30, 11GX30
11AH30

ITEM	DIAMETER (OD)		DESCRIPTION
	INCHES	MILLIMETERS	
1	1/2 - 3/4	12 - 19	Electrical Power Supply
2	1/2 - 3/4	12 - 19	Electrical Control Wiring
3	3/4	19	Drain Outlet Bottom
4	7/8 DIA	22	Condenser Water/Glycol Supply
	1/2 DIA	12	Liquid line
5	7/8 DIA	22	Chilled Water Supply
	7/8 DIA	22	Condenser Water/Glycol Return
	7/8 DIA	22	Suction line
6	5/8 DIA	16	Hot gas line
	7/8 DIA	22	Chilled Water Return
	1/4 SUPPLY LINE	6	Humidifier Water Supply