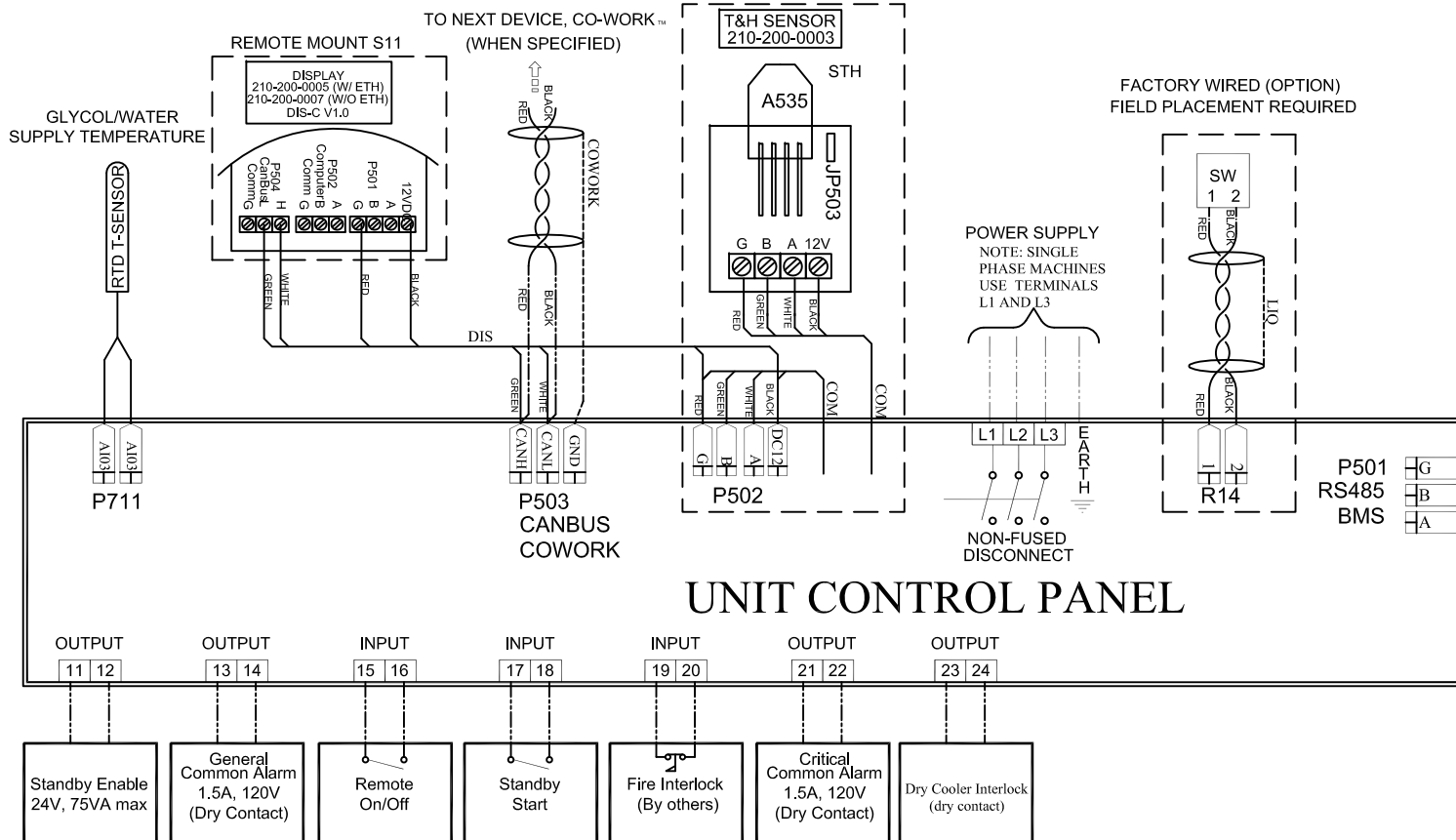






FACTORY WIRED FACTORY INSTALLED
 (FIELD INSTALLED SERIES 11 ONLY)



 RS 485 Communication
 for use with Modbus RTU
 Monitoring and Control System.

LEGEND

-  TERMINALS ON PCB
- STH TEMPERATURE & HUMIDITY SENSOR
- SW WATER DETECTOR (OPTION)
-  CONNECTION TERMINAL
- FACTORY WIRING
- - - - - FIELD SUPPLIED WIRING

INTERFACE OPTIONS

| INPUTS | | |
|---------|---|--|
| No. | DESCRIPTION | |
| 31-32 | COMPRESSOR DISABLE | |
| 35-36 | REMOTE ON/OFF INTERRUPT | |
| 39-40 | CUSTOM FAULT No. 1 | |
| 41-42 | CUSTOM FAULT No. 2 | |
| 43-44 | LIQUID HIGH LIMIT (STANDARD ON SERIES 11) | |
| 57-58 | DAMPER END SWITCH | |
| 49-50 | REHEAT/ HUMIDIFIER DISABLE | |
| OUTPUTS | | |
| No. | DESCRIPTION | |
| 25-26 | PUMP INTERLOCK | |
| 37-38 | UNIT STATUS | |
| 59-60 | DAMPER INTERLOCK | |