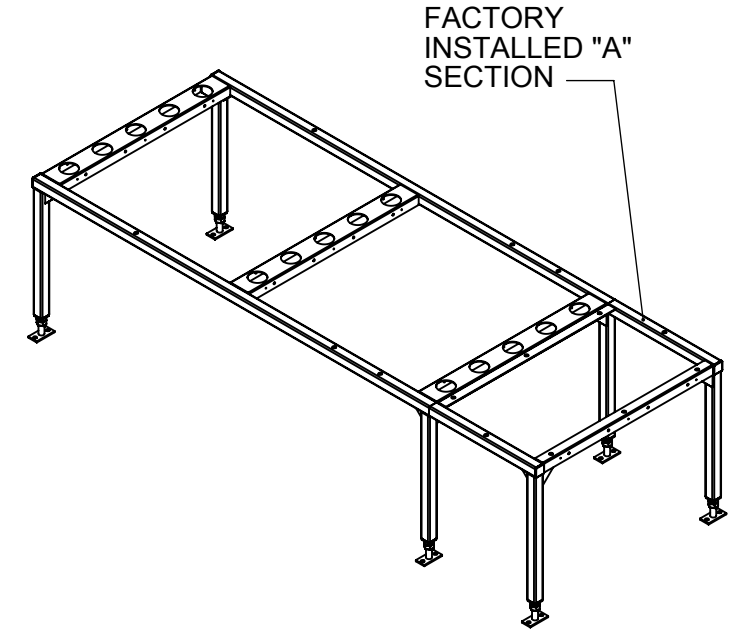
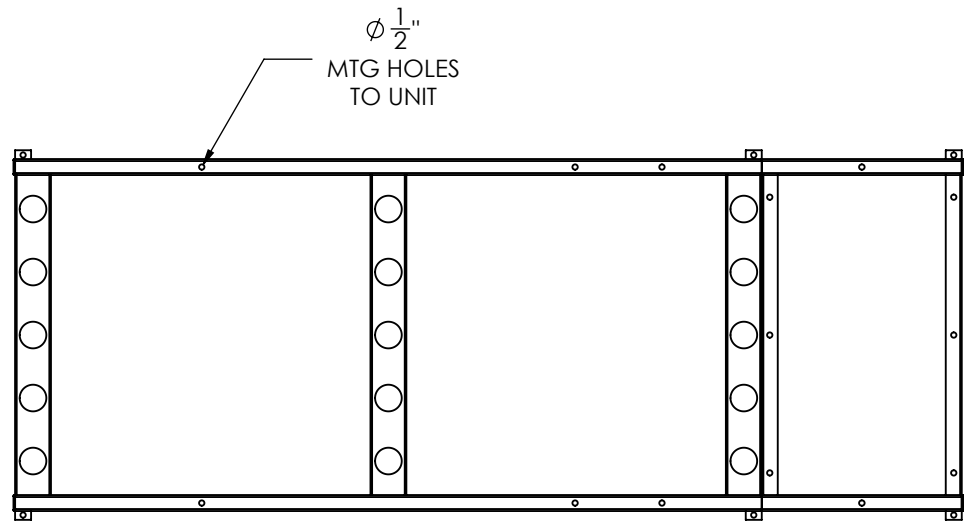
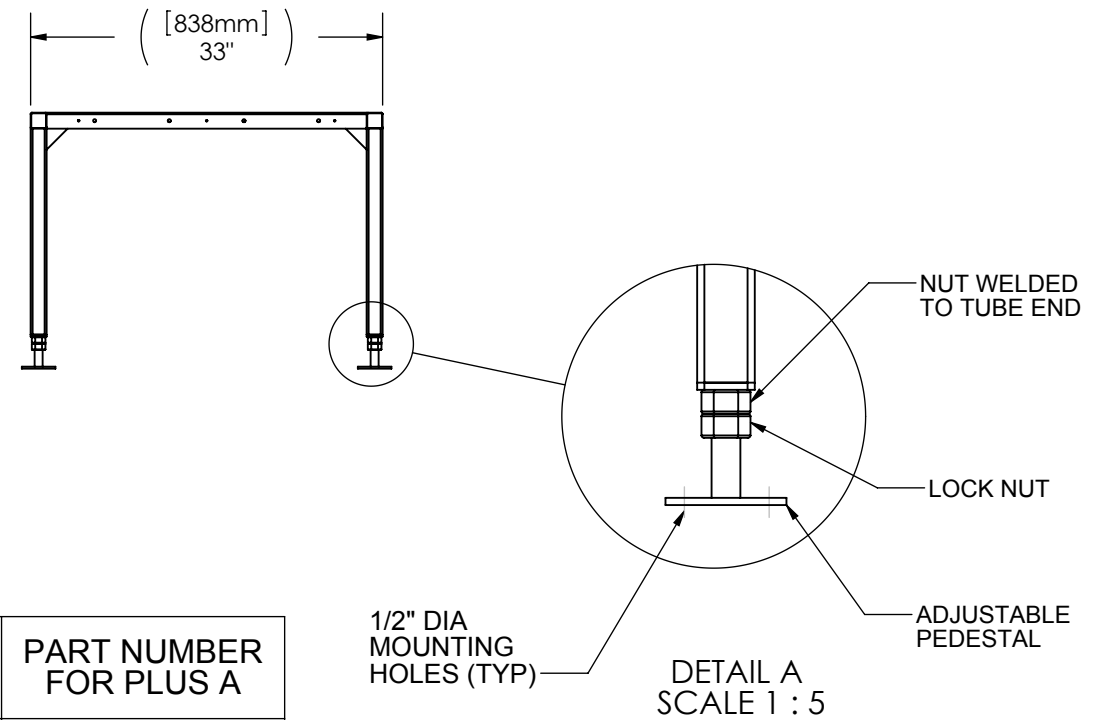
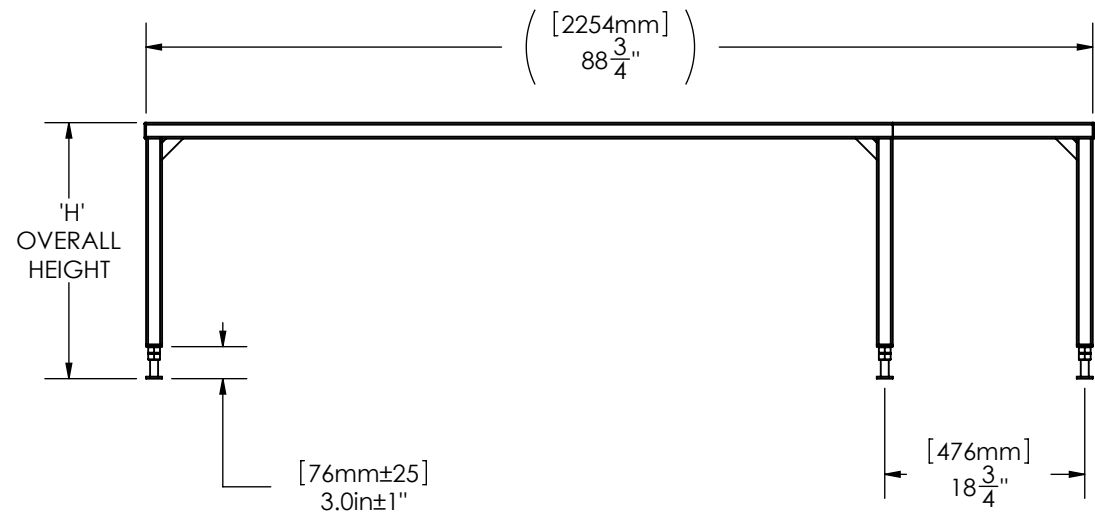


DATE PRINTED: 4/9/2013

REVISIONS			
REV.	DESCRIPTION	DATE	APPROVED
-	-	-	-
-	-	-	-



NOTES:



NOTES:
 FLOORSTAND MATERIAL:
 STRUCTURAL STEEL TUBE 1.5"x1.5"x1/8" WALL THICKNESS
 FLOORSTAND FINISH:
 BLACK SMOOTH POWDERCOAT
 OVERALL HEIGHT:
 MODEL AS SHOWN, SEE TABLE. OTHER HEIGHTS MAY NOT BE AS SHOWN AND MAY BE ON A DIFFERENT DRAWING.
 HEIGHTS NOT LISTED AVAILABLE ON REQUEST.

OVERALL HEIGHT "H"	PART NUMBER	PART NUMBER FOR PLUS A
12"	780-100-0073	780-100-0068
18"	780-100-0083	780-100-0078
24"	780-100-0093	780-100-0088

UNLESS OTHERWISE SPECIFIED DIMENSIONS ARE IN INCHES
 TOLERANCES:
 FRACTIONAL ± 1/8
 ANGULAR: ± 0.5° BEND ± 2°
 DECIMAL
 XXX = ± .010
 XX = ± .020
 X = ± .030
 HOLE DIA. +.003/- .000

	BY	DATE
DRAWN	I.Z.	11/06/2009
CHECKED	G.N.	11/06/2009
CNC PROGRAM		
FINISH:	BLACK SMOOTH POWDERCOAT	
MATERIAL	N/A	THICKNESS N/A

FINAL ASSEMBLY FLOOR STAND, 12", 18", 24", PLUS A	
SUBMITTAL DRAWING	
PART NAME SEE TABLE	
SIZE DWG. NO.	SPDF-FPA
REV. SEE TABLE	
BD N/A	K
SCALE: 1:18	SHEET 1 OF 1

CONFIDENTIAL: THE COPYRIGHT OF THIS DOCUMENT IS RESERVED BY CLIMATEWORX. THIS DOCUMENT IS ISSUED ON THE CONDITION THAT IT IS NOT COPIED, REPRODUCED OR DISCLOSED TO ANY OTHER PARTY WITHOUT WRITTEN CONSENT OF CLIMATEWORX.

