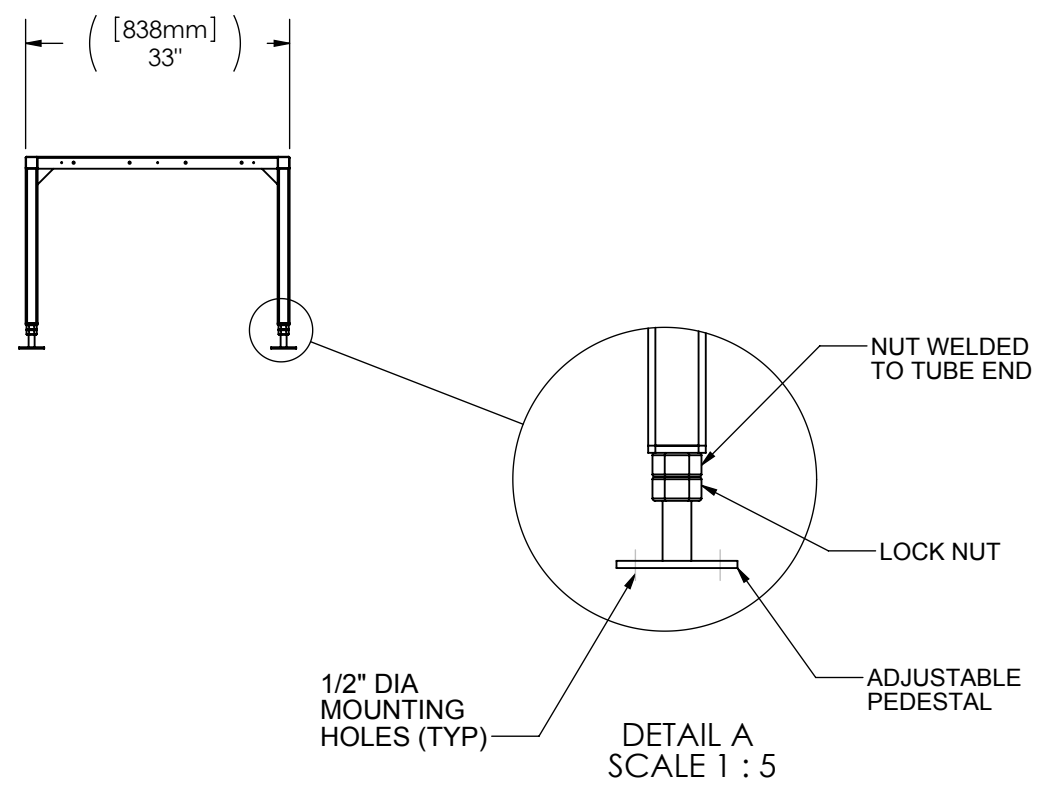
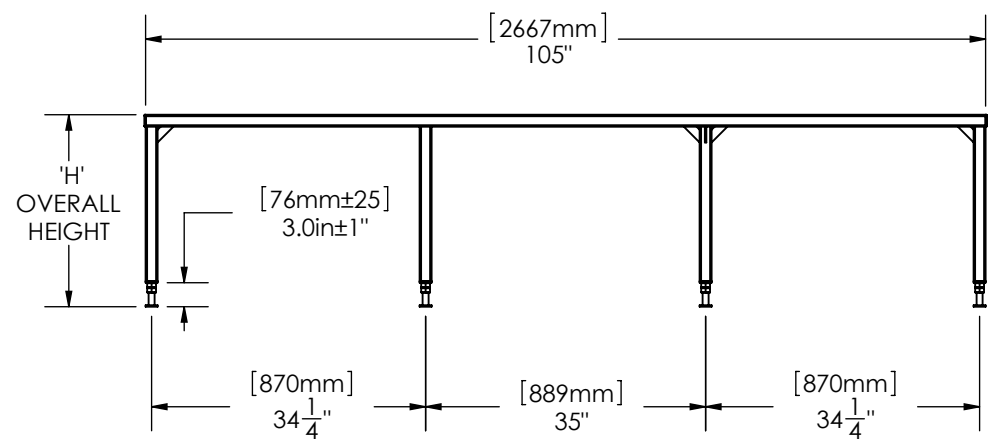
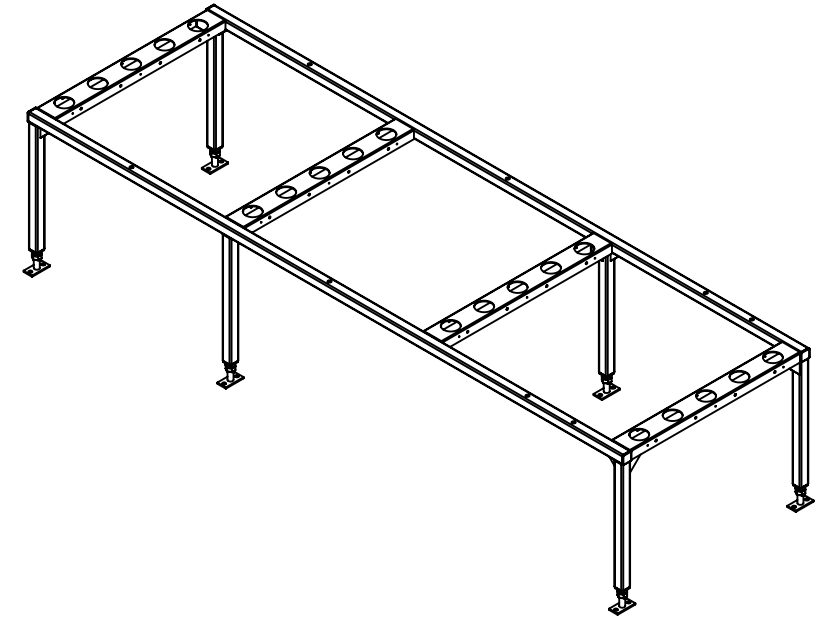
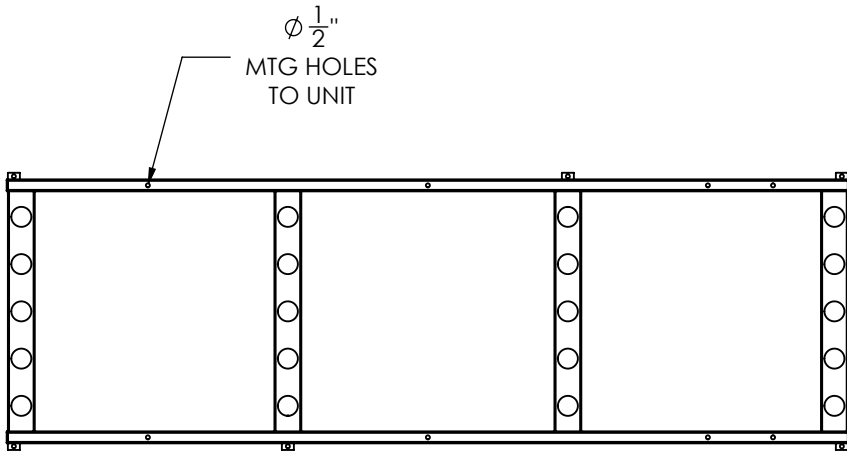


DATE PRINTED: 4/9/2013



**NOTES:**  
 FLOORSTAND MATERIAL:  
 STRUCTURAL STEEL TUBE 1.5"x1.5"x1/8" WALL THICKNESS  
 FLOORSTAND FINISH:  
 BLACK SMOOTH POWDERCOAT  
 OVERALL HEIGHT:  
 MODEL AS SHOWN, SEE TABLE. OTHER HEIGHTS MAY NOT BE AS SHOWN AND MAY BE ON A DIFFERENT DRAWING.  
 HEIGHTS NOT LISTED AVAILABLE ON REQUEST.

OVERALL HEIGHT "H"	PART NUMBER
12"	780-100-0075
18"	780-100-0085
24"	780-100-0095

**CONFIDENTIAL:** THE COPYRIGHT OF THIS DOCUMENT IS RESERVED BY CLIMATEWORX. THIS DOCUMENT IS ISSUED ON THE CONDITION THAT IT IS NOT COPIED, REPRODUCED OR DISCLOSED TO ANY OTHER PARTY WITHOUT WRITTEN CONSENT OF CLIMATEWORX.

REVISIONS			
REV.	DESCRIPTION	DATE	APPROVED
-	-	-	-
-	-	-	-

NOTES:

UNLESS OTHERWISE SPECIFIED DIMENSIONS ARE IN INCHES  
 TOLERANCES:  
 FRACTIONAL ± 1/8  
 ANGULAR: ± 0.5° BEND ± 2°  
 DECIMAL  
 XXX = ± .010  
 XX = ± .020  
 X = ± .030  
 HOLE DIA. +.003/-0.000

	BY	DATE
DRAWN	PS	08/31/2009
CHECKED	IZ	08/31/2009
CNC PROGRAM		
FINISH:	BLACK SMOOTH POWDERCOAT	
MATERIAL	N/A	THICKNESS N/A

		FINAL ASSEMBLY	
		FLOOR STAND 12", 18", 24"	
SUBMITTAL DRAWING		PART NAME	
SEE TABLE		SEE TABLE	
SIZE	DWG. NO.	REV.	SEE TABLE
B	SPDF-H		
BD	N/A	K	SCALE: 1:20 SHEET 1 OF 1

