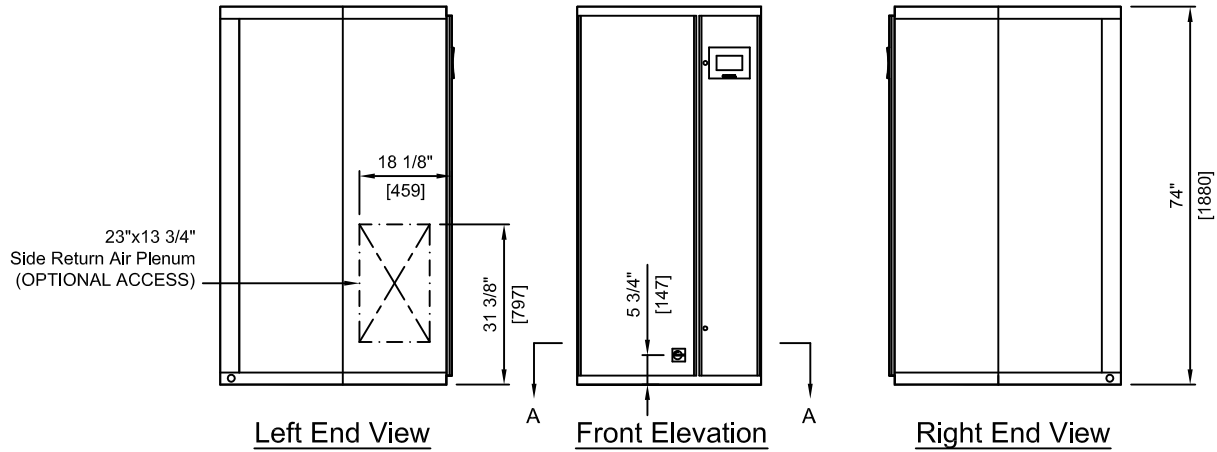


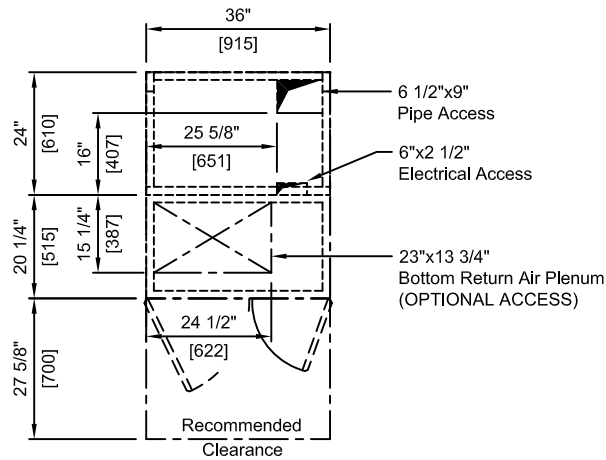
**Plan**



**Left End View**

**Front Elevation**

**Right End View**



**Base Frame Outline Detail - Section 'AA'**

**PIPING CONNECTION SIZE**

MODEL NO. SUFFIX

02

03

04

05

Liquid Line	-ODM in	1/2	1/2	1/2	1/2
Hot Gas Line	-ODM in	5/8	5/8	5/8	5/8
Humidifier Drain	-ODM in	3/4	3/4	3/4	3/4
Humidifier Water In	-ODM in	1/4	1/4	1/4	1/4
Cooling Coil Condensate	-ODM in	3/4	3/4	3/4	3/4
Chilled Water (when req'd)	-ODM in	1-1/8	1-1/8	1-1/8	1-1/8
Condenser Water (when req'd)	-ODM in	1-1/8	1-1/8	1-1/8	1-1/8
Glycol Solution (when req'd)	-ODM in	1-5/8	1-5/8	1-5/8	1-5/8

ODM - Outside Diameter of copper pipe in inches for soldering