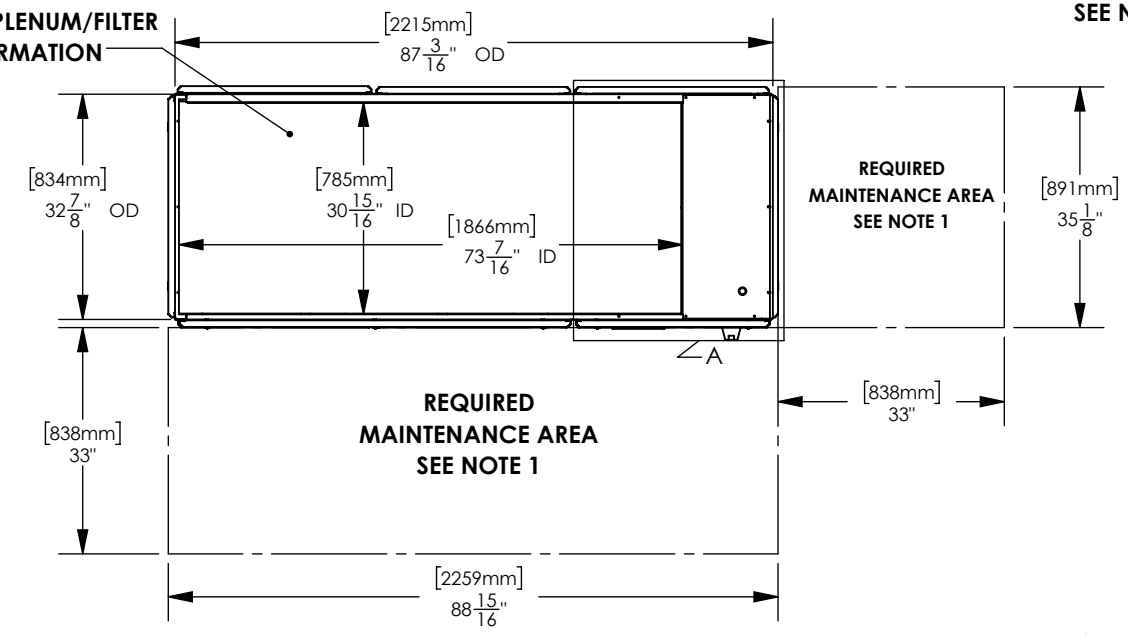
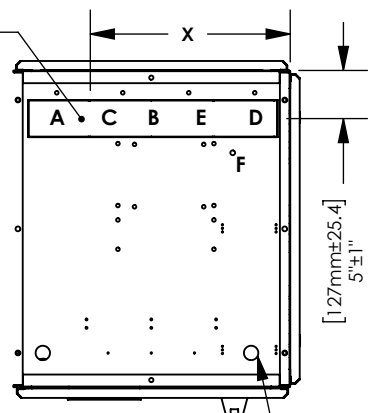


DATE PRINTED: 9/8/2017

SEE NOTE 3 & 4
FOR PLENUM/FILTER
INFORMATION



SEE NOTE 2

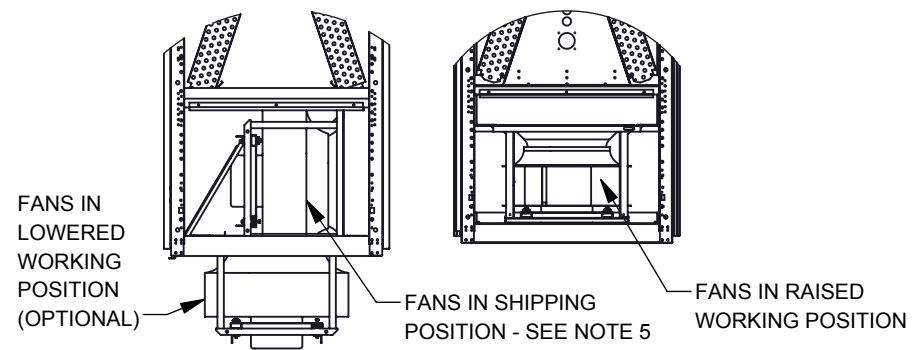
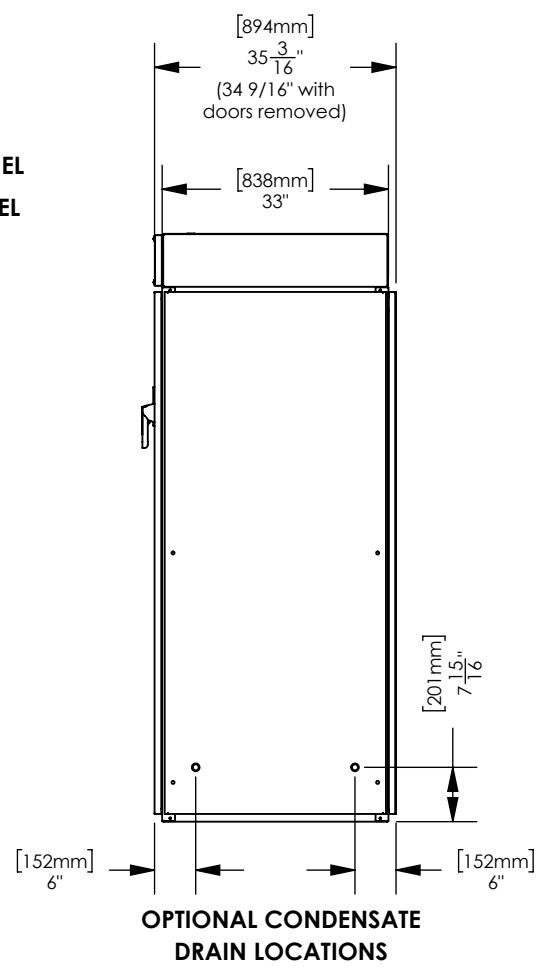
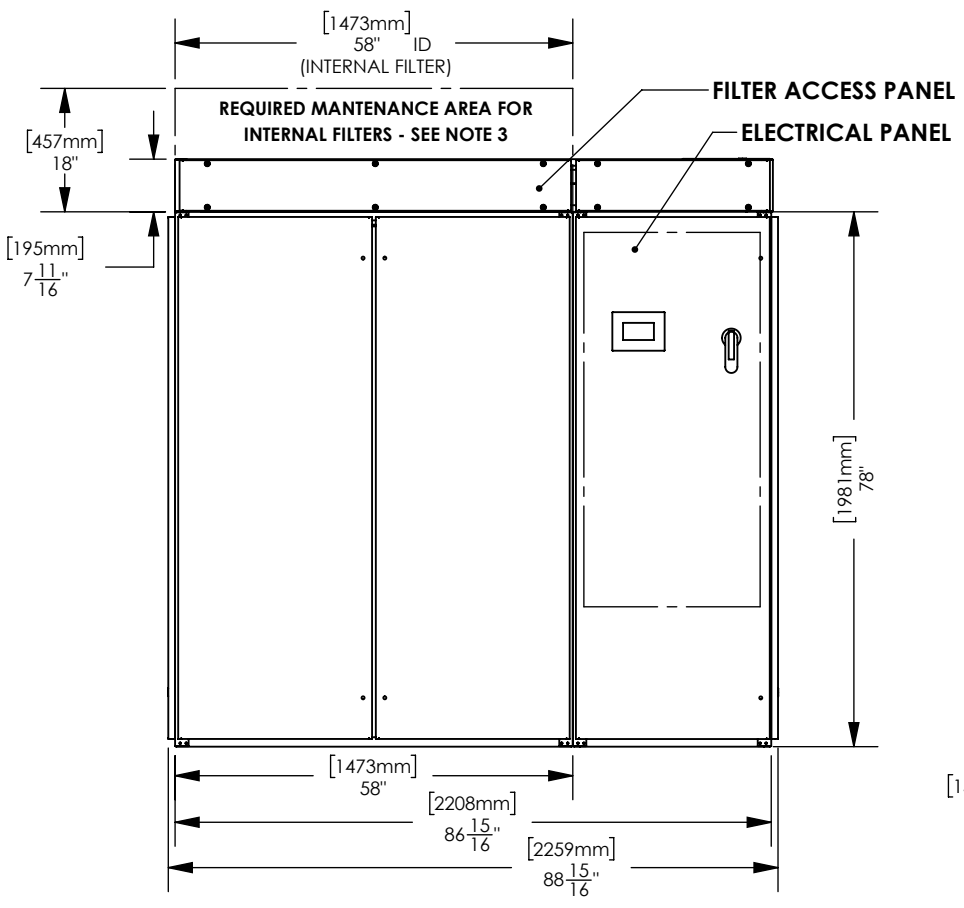


ELECTRICAL
SEE NOTE 5

FREE COOL	
PIPE SIZE	X +/- 1"
C = GLYCOL Ø 1 5/8" - SUPPLY	21"
D = CONDENSATE DRAIN Ø 3/4"	10"
E = GLYCOL Ø 1 5/8" - RETURN	18"
F = HUMIDIFIER WATER SUPPLY Ø 1/4"	THRU HOLE

REVISIONS			
REV.	DESCRIPTION	DATE	APPROVED
-	-	-	-
-	-	-	-

NOTES:



- NOTES:**
- FANS, MOTORS, VALVES AND ELECTRICAL PANEL ARE FRONT SERVICEABLE.
 - ALL PIPING THROUGH BOTTOM PIPING HOLES WHEN RETURN AIR PLENUM FILTER BOX IS USED.
 - RETURN AIR PLENUM FILTER BOX IS OPTIONAL FOR DUAL-COOLED CHILLED WATER AND AIR-COOLED DX UNITS. IF NO RETURN AIR PLENUM FILTER BOX IS ORDERED, INTERNAL FILTER BOX SET WILL BE SUPPLIED. FILTER SIZE 20"X25", QUANTITY 4. SEE MAINTENANCE AREA REQUIRED.
 - RETURN AIR PLENUM FILTER BOX WILL BE SUPPLIED WITH FILTER SIZES:
 - QTY6 - 16"X25"X4"
 - QTY6 - 16"X25"X2" - OPTIONAL AND/OR IN ADDITION TO 4" FILTERS
 - ELECTRICAL WIRING THROUGH TOP OR BOTTOM HOLES. ALL ENTRY POINTS MUST BE SEALED BY CONTRACTOR.
 - FANS AVAILABLE IN BOTH UPPER AND LOWERED POSITION. PLEASE SPECIFY WHEN ORDERED. FANS LOWERED INTO THE FLOOR WILL SHIP IN THE RAISED POSITION. SEE FACTORY LOWERING INSTRUCTIONS.
 - AUTO TRANSFER SWITCH INDICATOR LIGHTS OPTIONAL.

IN FOLDER V:\CANATAL\P-SERIES\FAMILY\SUBMITTAL DRAWINGS\DOWNFLOW\

CONFIDENTIAL: THE COPYRIGHT OF THIS DOCUMENT IS RESERVED BY CLIMATEWORX. THIS DOCUMENT IS ISSUED ON THE CONDITION THAT IT IS NOT COPIED, REPRODUCED OR DISCLOSED TO ANY OTHER PARTY WITHOUT WRITTEN CONSENT OF CLIMATEWORX.

UNLESS OTHERWISE SPECIFIED
DIMENSIONS ARE IN INCHES
TOLERANCES:
FRACTIONAL ± 1/8
ANGULAR: ± 0.5° BEND ± 2°
DECIMAL
XXX = ±.010
XX = ±.020
X = ±.030
HOLE DIA. +.003/-0.000

BY		DATE	
DRAWN	MG	2017-09-06	
CHECKED	-	2017-09-06	
CNC PROGRAM	-	-	
FINISH:	-	-	
MATERIAL	N/A	THICKNESS	N/A

CLIMATEWORX
INTERNATIONAL

FINAL ASSEMBLY
P-SERIES, E+B, DOWNFLOW

PART NAME
SPDD-EPB

SIZE DWG. NO.
B SPDD-EPB

REV.
SEE TABLE

SCALE: 1:28 SHEET 1 OF 1

