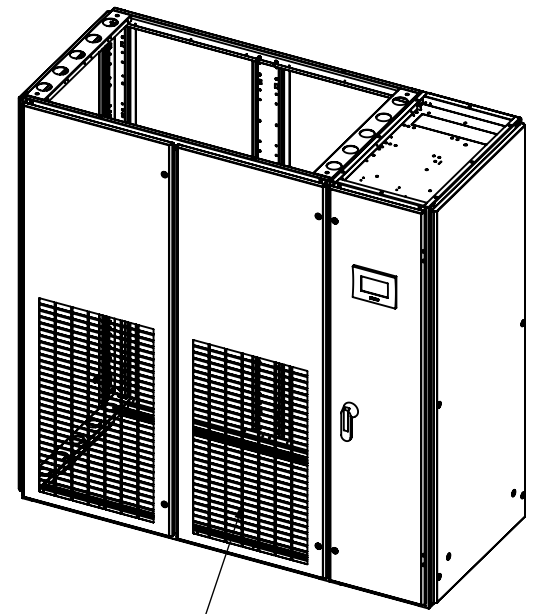
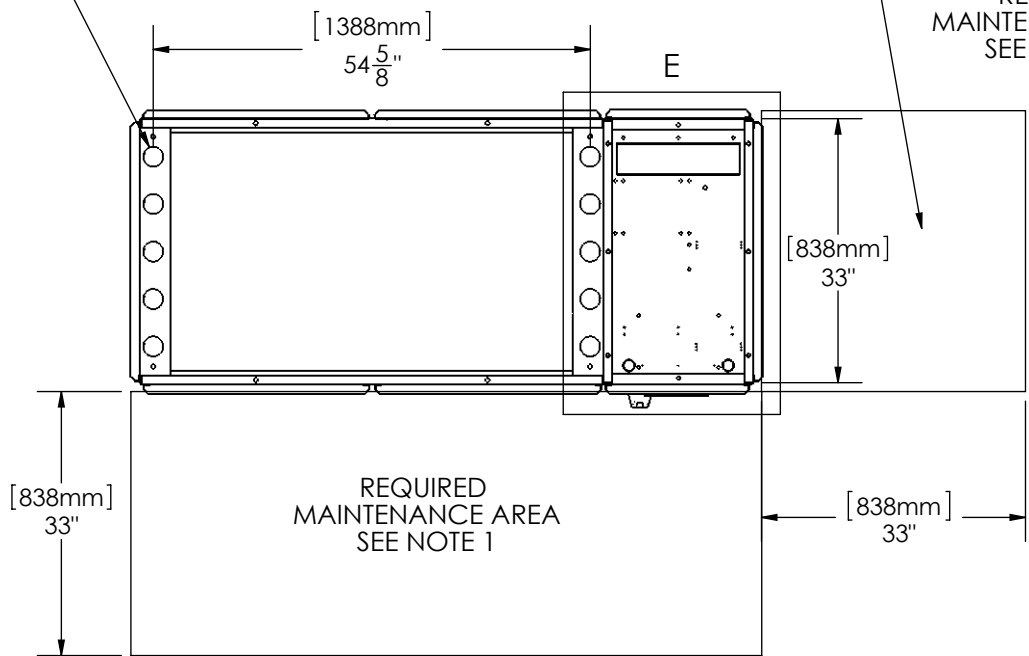


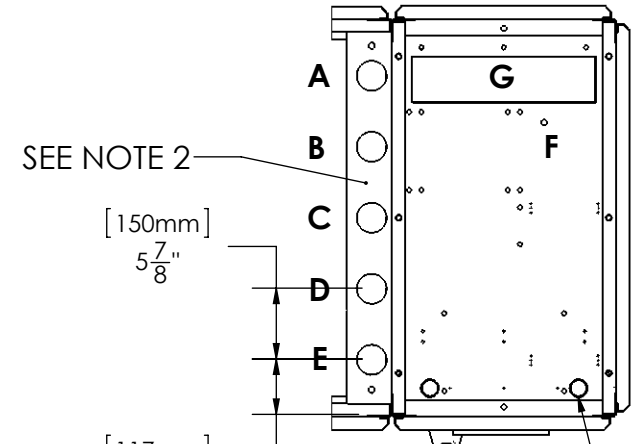
DATE PRINTED: 05/09/2013

REVISIONS			
REV.	DESCRIPTION	DATE	APPROVED
-	-	-	-
-	-	-	-

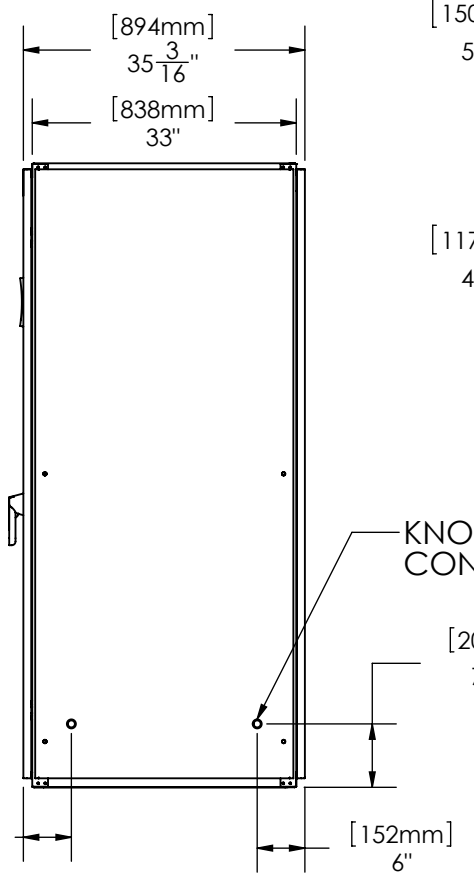
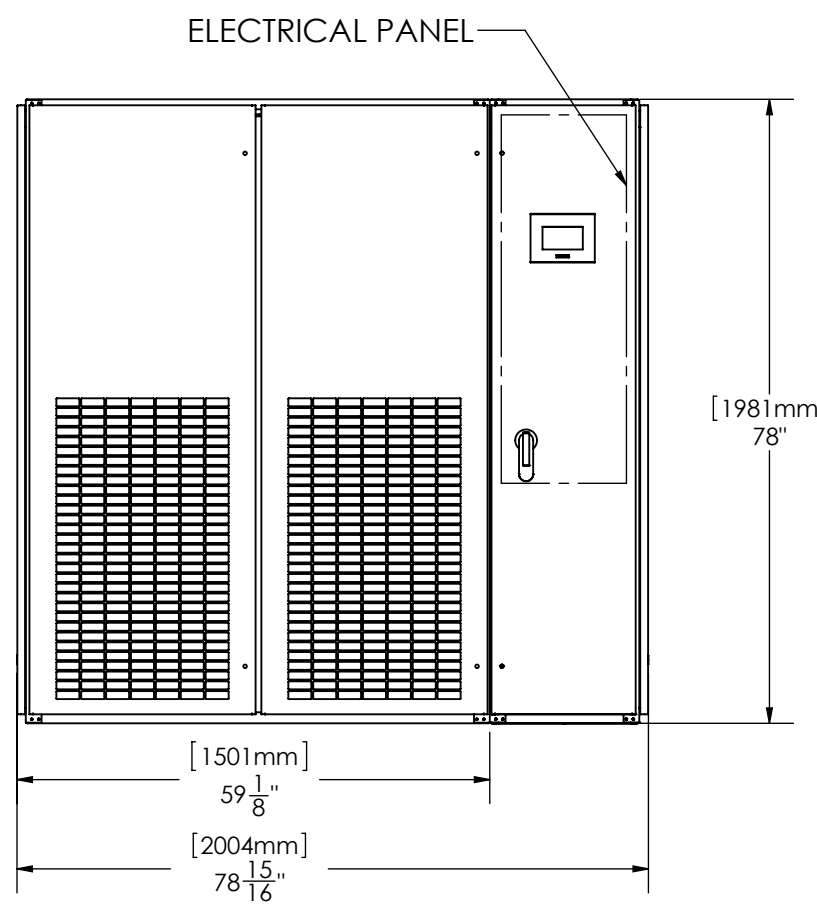
ALL OPENINGS ARE FACTORY SEALED WITH PLASTIC SNAP-IN PLUGS



SEE NOTE 3 FOR FILTERS



ELECTRICAL SEE NOTE 4
DETAIL E
SCALE 1:16



CONFIDENTIAL: THE COPYRIGHT OF THIS DOCUMENT IS RESERVED BY CLIMATEWORX. THIS DOCUMENT IS ISSUED ON THE CONDITION THAT IT IS NOT COPIED, REPRODUCED OR DISCLOSED TO ANY OTHER PARTY WITHOUT WRITTEN CONSENT OF CLIMATEWORX.

PIPING SIZE CONNECTION SIZES

AIR COOLED: PAU042-051	
G = LIQUID LINE	Ø 5/8"
G = HOT GAS LINE	Ø 1 1/8"
GLYCOL COOLED: PGU042-051	
G = GLYCOL SOLUTION LINE	Ø 1 5/8"
CHILLED WATER: PCU042-051	
A = HOT WATER REHEAT	Ø 7/8" - RETURN
B = HOT WATER REHEAT	Ø 7/8" - SUPPLY
C = CHILLED WATER	Ø 1 5/8" - SUPPLY
E = CHILLED WATER	Ø 1 5/8" - RETURN
DUAL CIRCUIT CHILLED WATER: PJU042-051	
A = CHILLED WATER B	Ø 1 5/8" - RETURN
B = CHILLED WATER B	Ø 1 5/8" - SUPPLY
C = CHILLED WATER A	Ø 1 5/8" - SUPPLY
E = CHILLED WATER A	Ø 1 5/8" - RETURN
WATER COOLED: PWU042-PWU051	
G = CONDENSING WATER LINE	Ø 1 3/8"
COMMON TO ALL	
D = CONDENSATE DRAIN	Ø 3/4"
F = HUMIDIFIER WATER SUPPLY	Ø 1/4"

- NOTES:**
- CHILLED WATER ONLY: FANS, MOTORS, VALVES AND ELECTRICAL PANEL ARE FRONT SERVICEABLE.
 - 1.1. AIR COOLED, GLYCOL COOLED & WATER COOLED ONLY: FANS, MOTORS, AND ELECTRICAL PANEL ARE FRONT SERVICEABLE. VALVES, PIPING AND COMPRESSORS ARE SIDE SERVICE.
 2. ALL PIPING THROUGH TOP PIPING HOLES UNLESS SPECIFIED AT TIME OF ORDER. UNUSED HOLES WILL BE FACTORY PLUGGED.
 3. FILTERS.
QTY=4, 18x24x2
QTY=2, 20x25x2
 4. ELECTRICAL WIRING THROUGH TOP OR BOTTOM HOLES. ALL ENTRY POINTS MUST BE SEALED BY CONTRACTOR.

NOTES:

UNLESS OTHERWISE SPECIFIED DIMENSIONS ARE IN INCHES		BY	DATE	
TOLERANCES:		PS	09.17.09	
FRACTIONAL ± 1/8		CY	09.17.09	FINAL ASSEMBLY
ANGULAR: ± 0.5° BEND ± 2°		CNC PROGRAM		P-SERIES, UPFLOW
DECIMAL		---		PAU/PGU/PCU/PJU/PWU: 042-051
XXX = ±.010		---		PART NAME
XX = ±.020		---		E-SIZE, PLUS A, SUBMITTAL
X = ±.030		---		SIZE DWG. NO.
HOLE DIA. +.003/-0.000		---		B SPDU-EPA
THIRD ANGLE PROJECTION		FINISH:		REV. SEE TABLE
		MATERIAL	THICKNESS	BD N/A K
		N/A	N/A	SCALE: 1:20 SHEET 1 OF 1