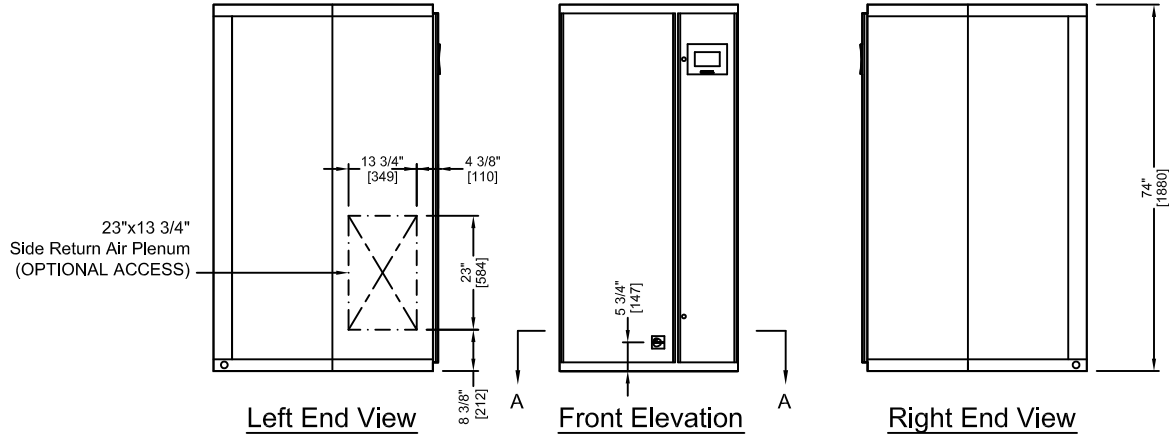
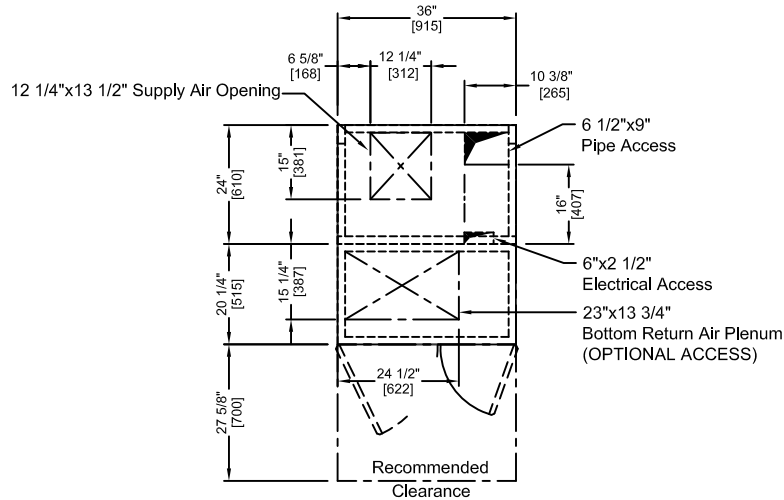

Plan

Left End View
Front Elevation
Right End View

Base Frame Outline Detail - Section 'AA'
PIPING CONNECTION SIZE

MODEL NO. SUFFIX		02	03	04	05
Liquid Line	-ODM in	1/2	1/2	1/2	1/2
Hot Gas Line	-ODM in	5/8	5/8	5/8	5/8
Humidifier Drain	-ODM in	3/4	3/4	3/4	3/4
Humidifier Water In	-ODM in	1/4	1/4	1/4	1/4
Cooling Coil Condensate	-ODM in	3/4	3/4	3/4	3/4
Chilled Water (when req'd)	-ODM in	1-1/8	1-1/8	1-1/8	1-1/8
Condenser Water (when req'd)	-ODM in	5/8	1-1/8	1-1/8	1-1/8
Glycol Solution (when req'd)	-ODM in	1-5/8	1-5/8	1-5/8	1-5/8

ODM - Outside Diameter of copper pipe in inches for soldering