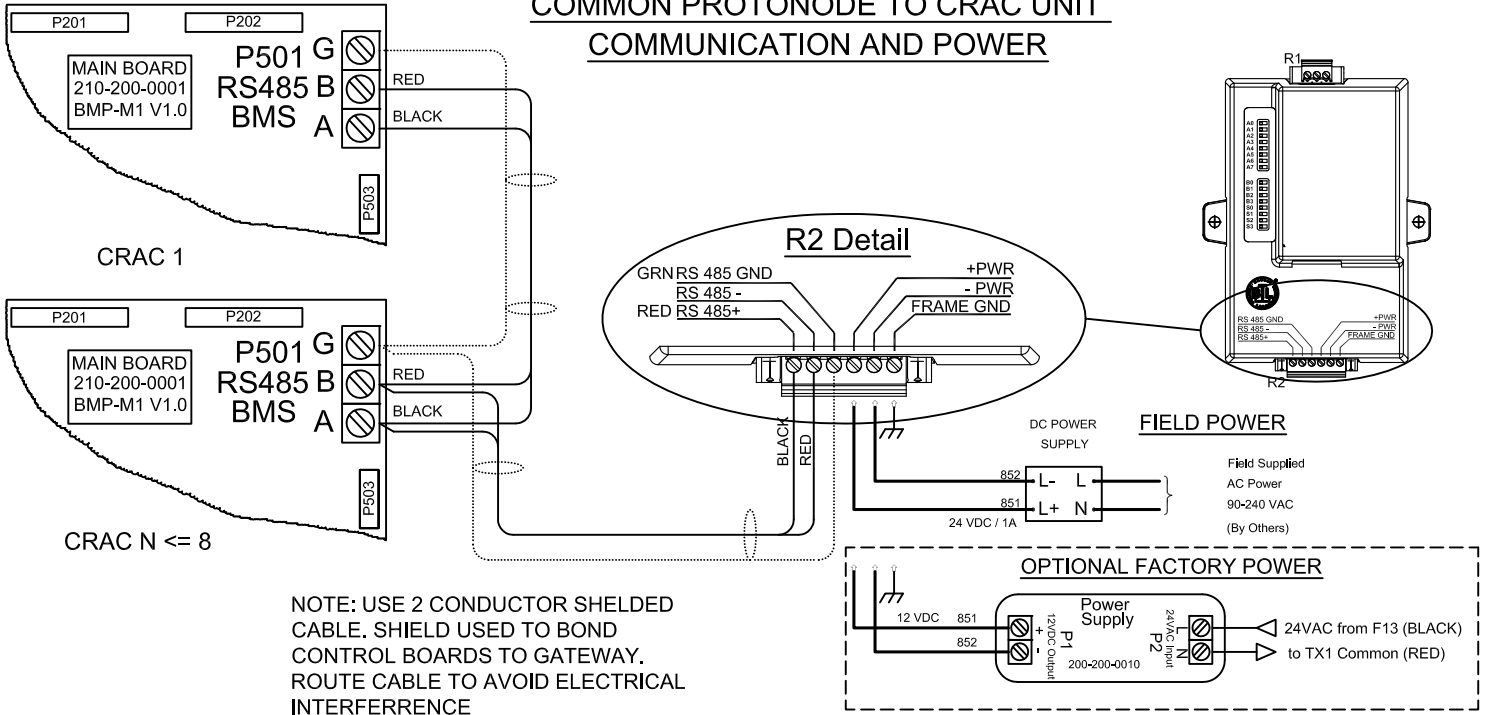
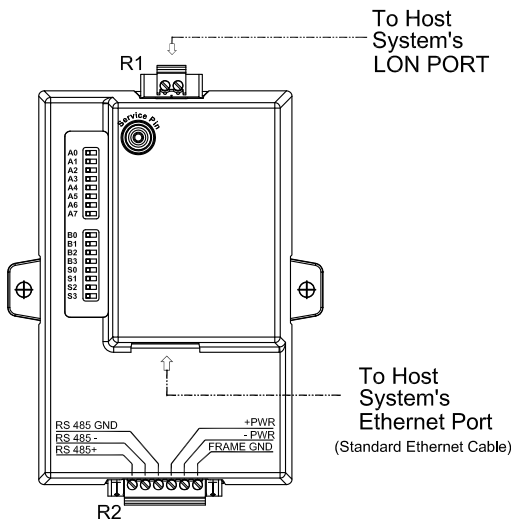


## COMMON PROTONODE TO CRAC UNIT COMMUNICATION AND POWER

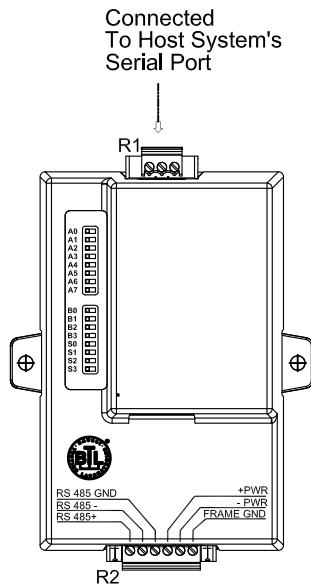


### SERIAL TO ETHERNET (LONWORKS)



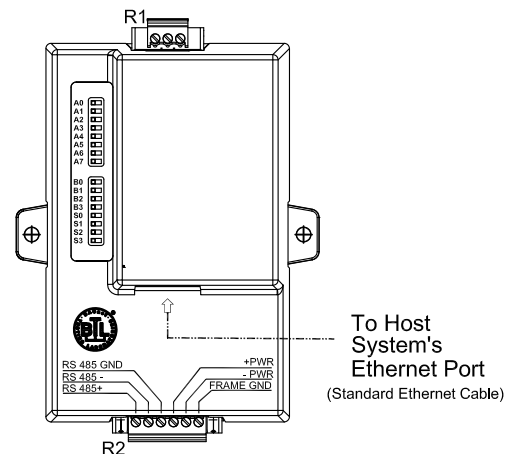
NOTE: LON GATEWAY MUST BE USED FOR LON CONNECTIVITY

### SERIAL TO SERIAL



NOTE: SEE PROTONODE STARTUP GUIDE FOR SWITCH SETTINGS AND SUPPORTED PROTOCOLS

### SERIAL TO ETHERNET



NOTE: SEE PROTONODE STARTUP GUIDE FOR SWITCH SETTINGS AND SUPPORTED PROTOCOLS