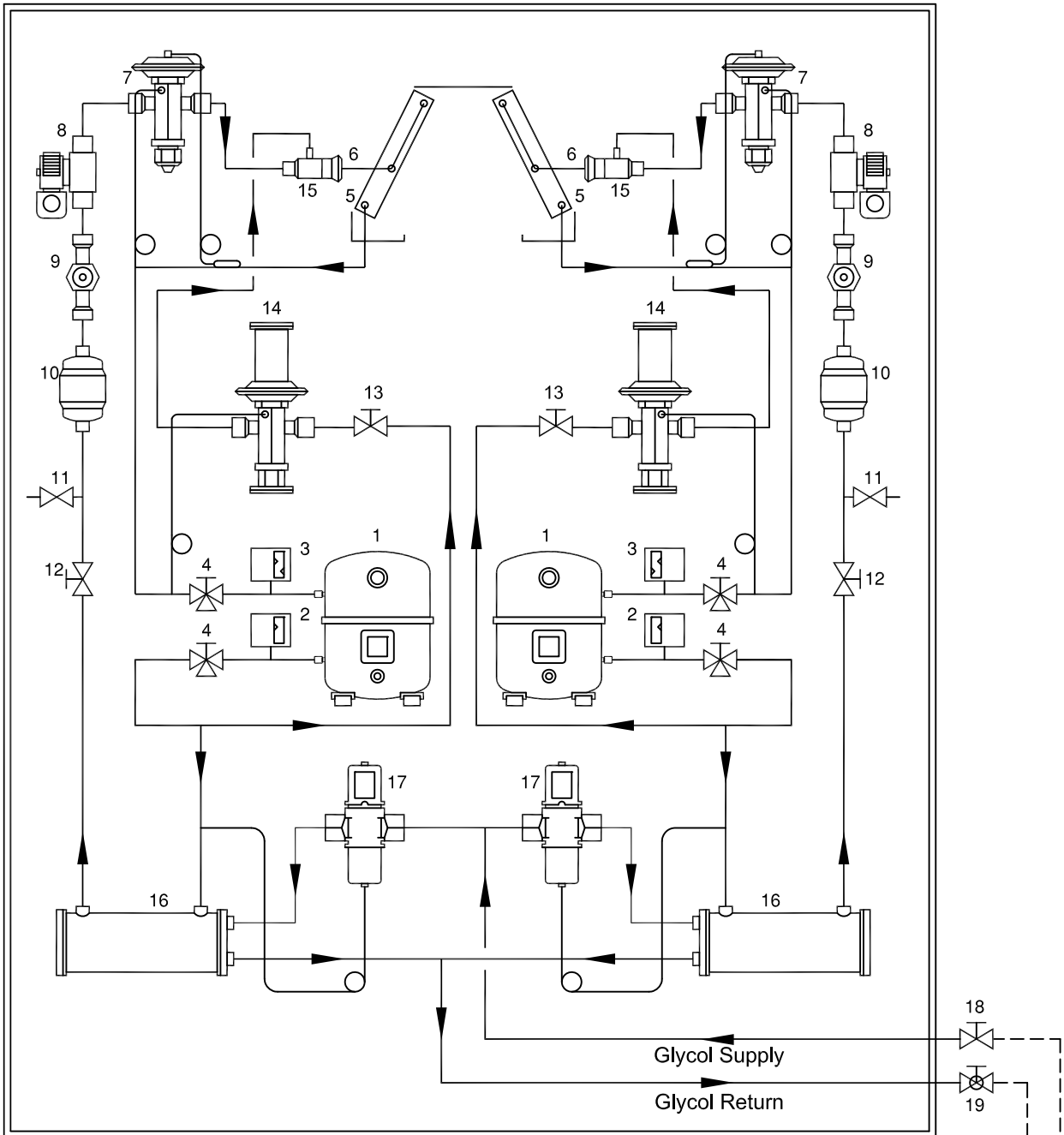


VERTICAL FLOOR MOUNT UNIT


COMPONENTS:

- | | | | |
|----|------------------------------|----|--|
| 1 | Compressor | 11 | Access valve |
| 2 | High pressure switch | 12 | Shut off valve |
| 3 | Low pressure switch | 13 | Hot Gas Bypass Manual Shut-off Valve |
| 4 | Rotalock valve | 14 | Hotgas bypass valve |
| 5 | Evaporator | 15 | Side connection distributor |
| 6 | Refrigerant distributor | 16 | Glycol cooled condenser/heat exchanger |
| 7 | Thermostatic expansion valve | 17 | Glycol regulating valve (Standard 2-way, optional 3-way) |
| 8 | Liquid line solenoid valve | 18 | Gate valve (supplied by others) |
| 9 | Sight glass | 19 | Globe valve (supplied by others) |
| 10 | Filter-Drier | | |

TO REMOVE
DRY / FLUID
COOLER