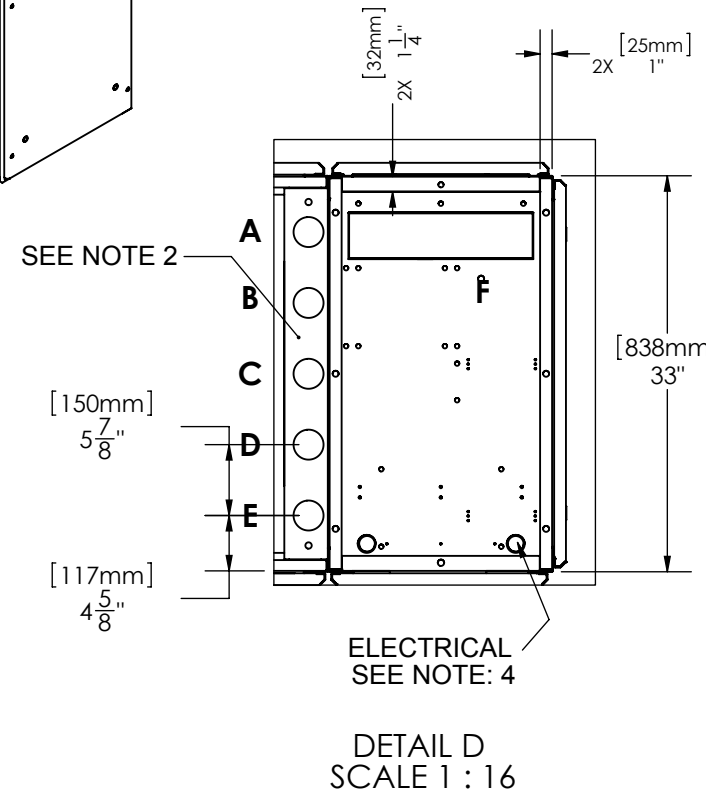
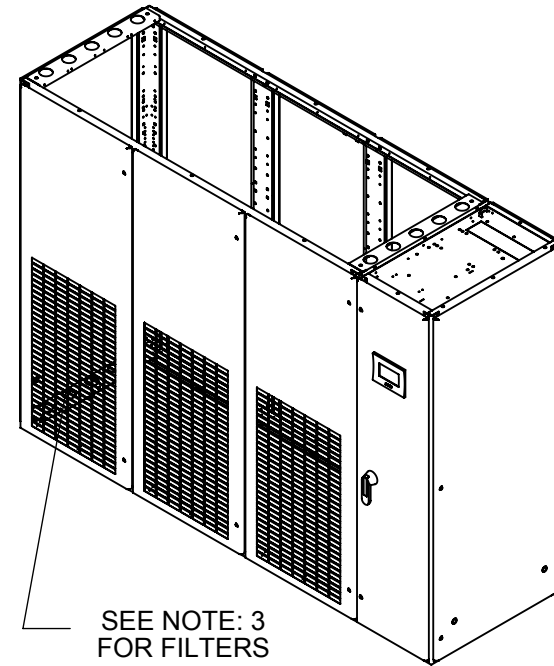
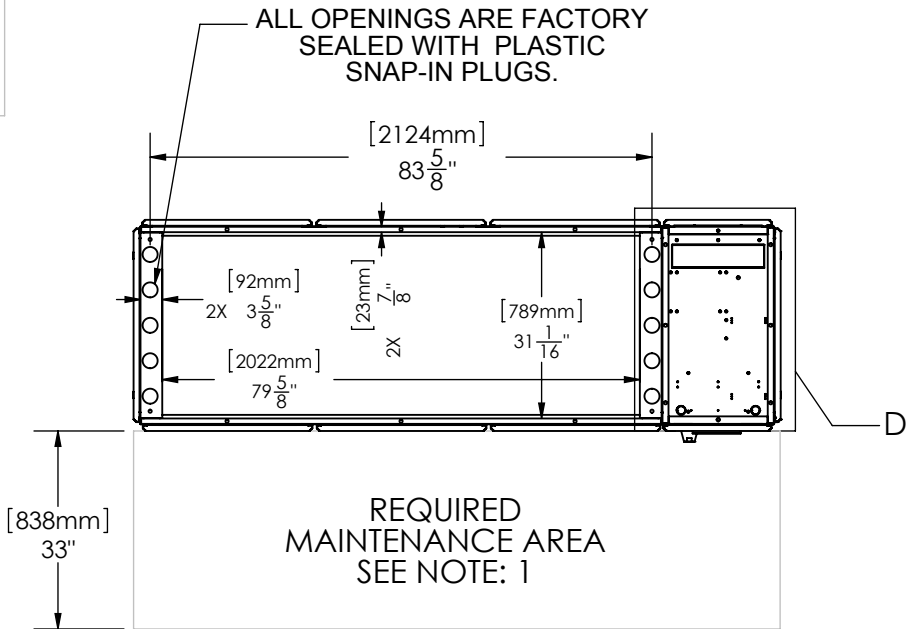


DATE PRINTED: 02/13/2013

REVISIONS			
REV.	DESCRIPTION	DATE	APPROVED
B	FILTER SIZE UPDATED	06/15/2010	CL
-	-	-	-



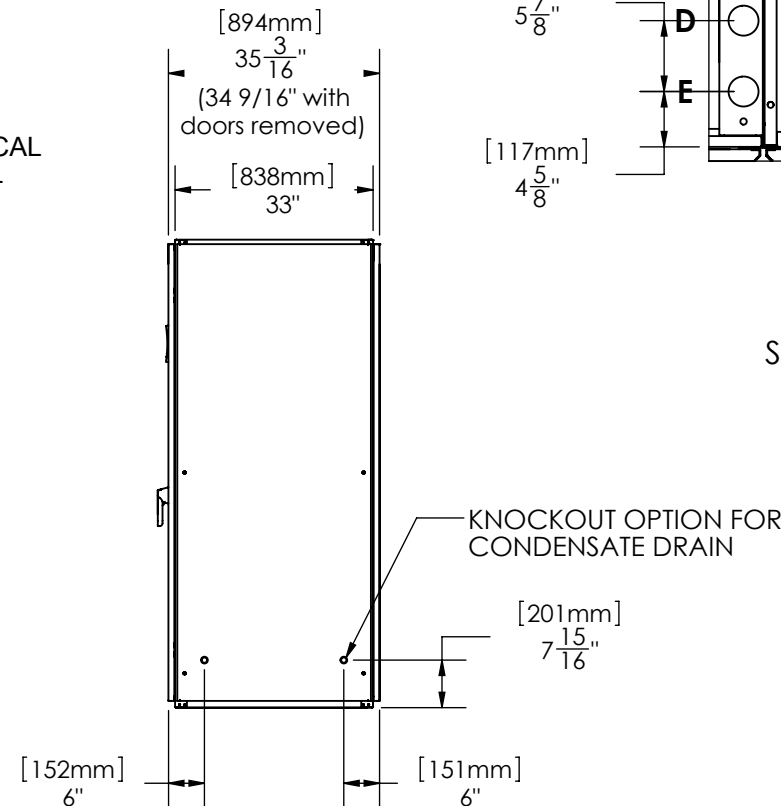
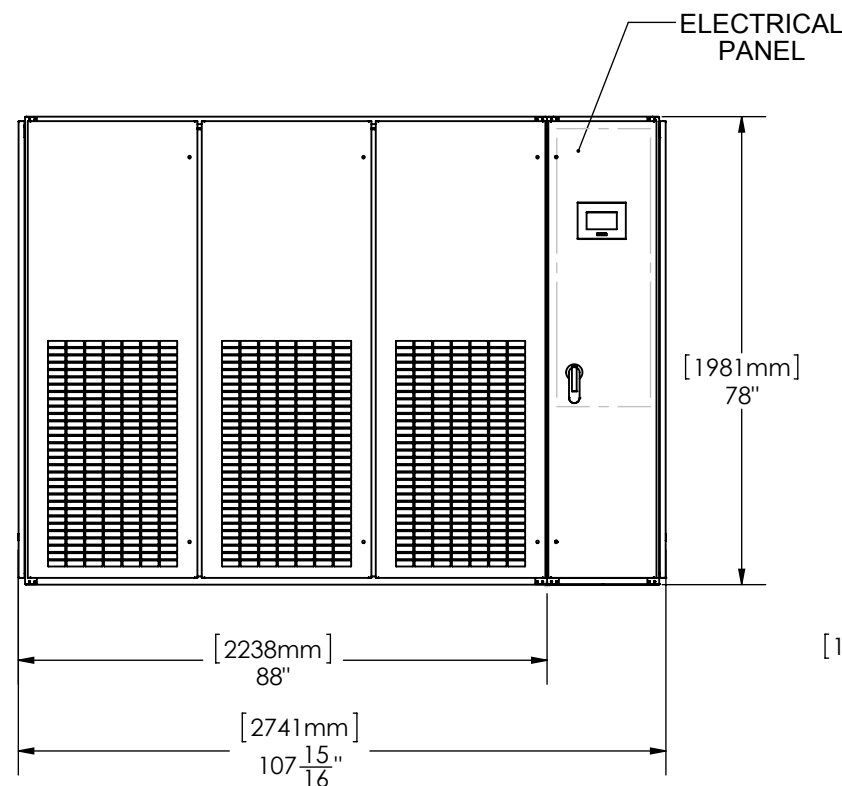
PIPING CONNECTION SIZES

SINGLE CIRCUIT CHILLED WATER PCU XXX
A = HOT WATER REHEAT Ø 7/8" - RETURN
B = HOT WATER REHEAT Ø 7/8" - SUPPLY
C = CHILLED WATER Ø 2 1/8" - SUPPLY
D = CONDENSATE DRAIN Ø 3/4"
E = CHILLED WATER Ø 2 1/8" - RETURN
F = HUMIDIFIER WATER SUPPLY Ø 1/4"

DUAL CIRCUIT CHILLED WATER PJU XXX
A = CHILLED WATER B Ø 2 1/8" - RETURN
B = CHILLED WATER B Ø 2 1/8" - SUPPLY
C = CHILLED WATER A Ø 2 1/8" - SUPPLY
D = CONDENSATE DRAIN Ø 3/4"
E = CHILLED WATER A Ø 2 1/8" - RETURN
F = HUMIDIFIER WATER SUPPLY Ø 1/4"

NOTES:

- NOTES:**
- FANS, MOTORS, VALVES AND ELECTRICAL PANEL ARE FRONT SERVICEABLE.
 - ALL PIPING THROUGH TOP PIPING HOLES UNLESS SPECIFIED AT TIME OF ORDER. UNUSED HOLES WILL BE FACTORY PLUGGED.
 - FILTERS:
QTY=3x, 25x20x2
QTY=6x, 18x25x2.
 - ELECTRICAL WIRING THROUGH TOP OR BOTTOM HOLES. ALL ENTRY POINTS MUST BE SEALED BY CONTRACTOR.



CONFIDENTIAL: THE COPYRIGHT OF THIS DOCUMENT IS RESERVED BY CLIMATEWORX. THIS DOCUMENT IS ISSUED ON THE CONDITION THAT IT IS NOT COPIED, REPRODUCED OR DISCLOSED TO ANY OTHER PARTY WITHOUT WRITTEN CONSENT OF CLIMATEWORX.

UNLESS OTHERWISE SPECIFIED DIMENSIONS ARE IN INCHES
TOLERANCES:
FRACTIONAL ± 1/8
ANGULAR: ± 0.5° BEND ± 2°
DECIMAL
XXX = ±.010
XX = ±.020
X = ±.030
HOLE DIA. +.003/-0.000

THIRD ANGLE PROJECTION

	BY	DATE
DRAWN	PS	09.18.09
CHECKED	CY	09.18.09
CNC PROGRAM		
FINISH:		
MATERIAL	N/A	THICKNESS N/A



FINAL ASSEMBLY	P-SERIES, UPFLOW
	PCU076, PCU087
PART NAME	G-SIZE, PLUS A SUBMITTAL
SIZE DWG. NO.	B SPDU-GPA
BD	N/A
K	
SCALE:	1:20
SHEET	1 OF 1