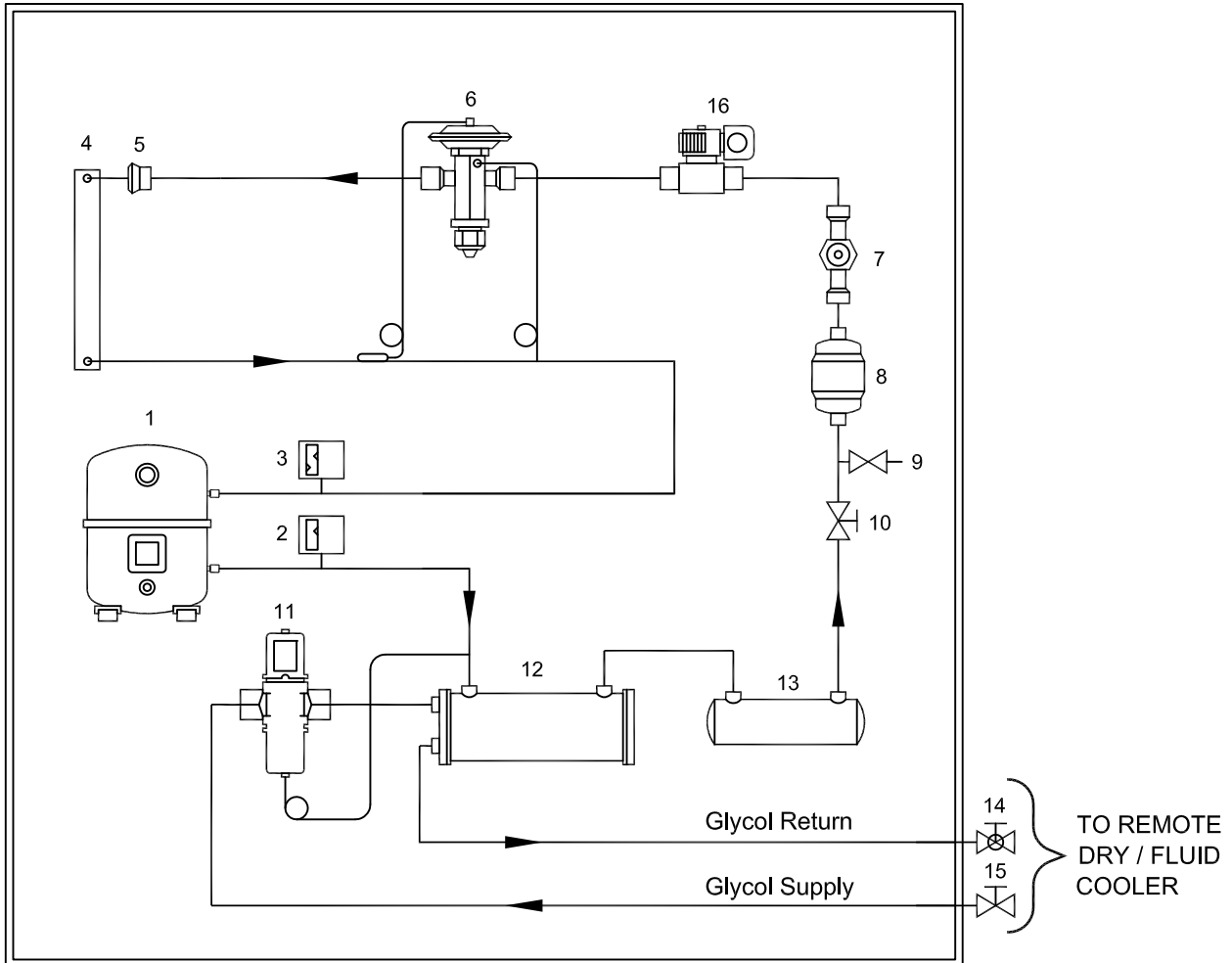


INDOOR EVAPORATING UNIT



COMPONENTS:

- |    |                              |    |  |
|----|------------------------------|----|--|
| 1  | Compressor                   | 11 | Glycol regulating valve (Standard 2-way, optional 3-way) |
| 2  | High pressure switch         | 12 | Glycol cooled condenser                                  |
| 3  | Low pressure switch          | 13 | Receiver   |
| 4  | Evaporator                   | 14 | Globe valve (supplied by others)                         |
| 5  | Refrigerator distributor     | 15 | Gate valve (supplied by others)                          |
| 6  | Thermostatic expansion valve | 16 | Liquid Line Solenoid valve                               |
| 7  | Sight glass                  |    |  |
| 8  | Filter-drier                 |    |  |
| 9  | Access valve                 |    |  |
| 10 | Shut off valve               |    |  |