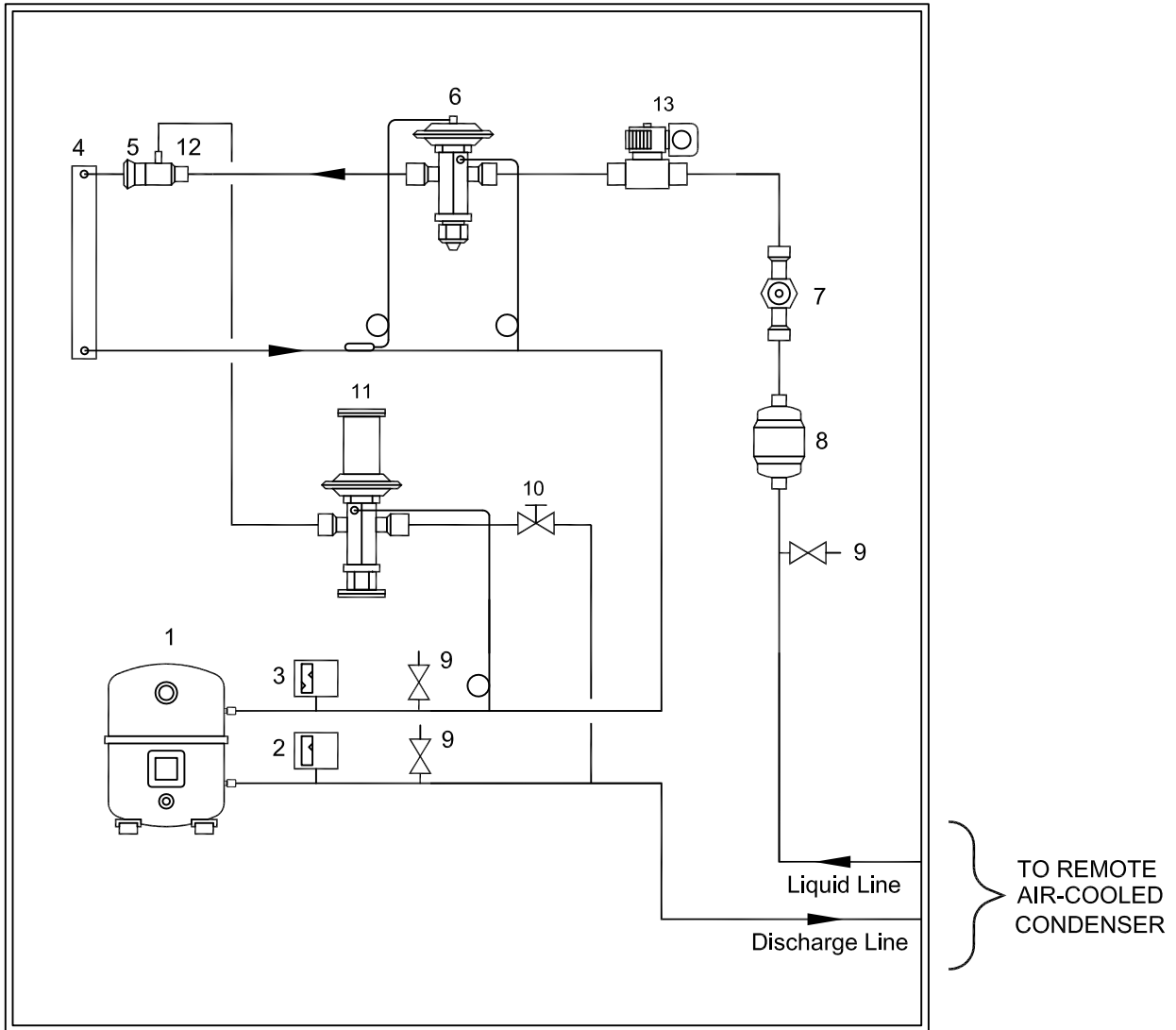


INDOOR EVAPORATING UNIT



COMPONENTS:

- 1 Compressor
- 2 High pressure switch
- 3 Low pressure switch
- 4 Evaporator
- 5 Refrigerant distributor
- 6 Thermostatic expansion valve
- 7 Sight glass
- 8 Filter drier
- 9 Access valve
- 10 Hotgas bypass manual shut-off valve
- 11 Hotgas bypass valve
- 12 Side connection distributor
- 13 Liquid Line Solenoid valve