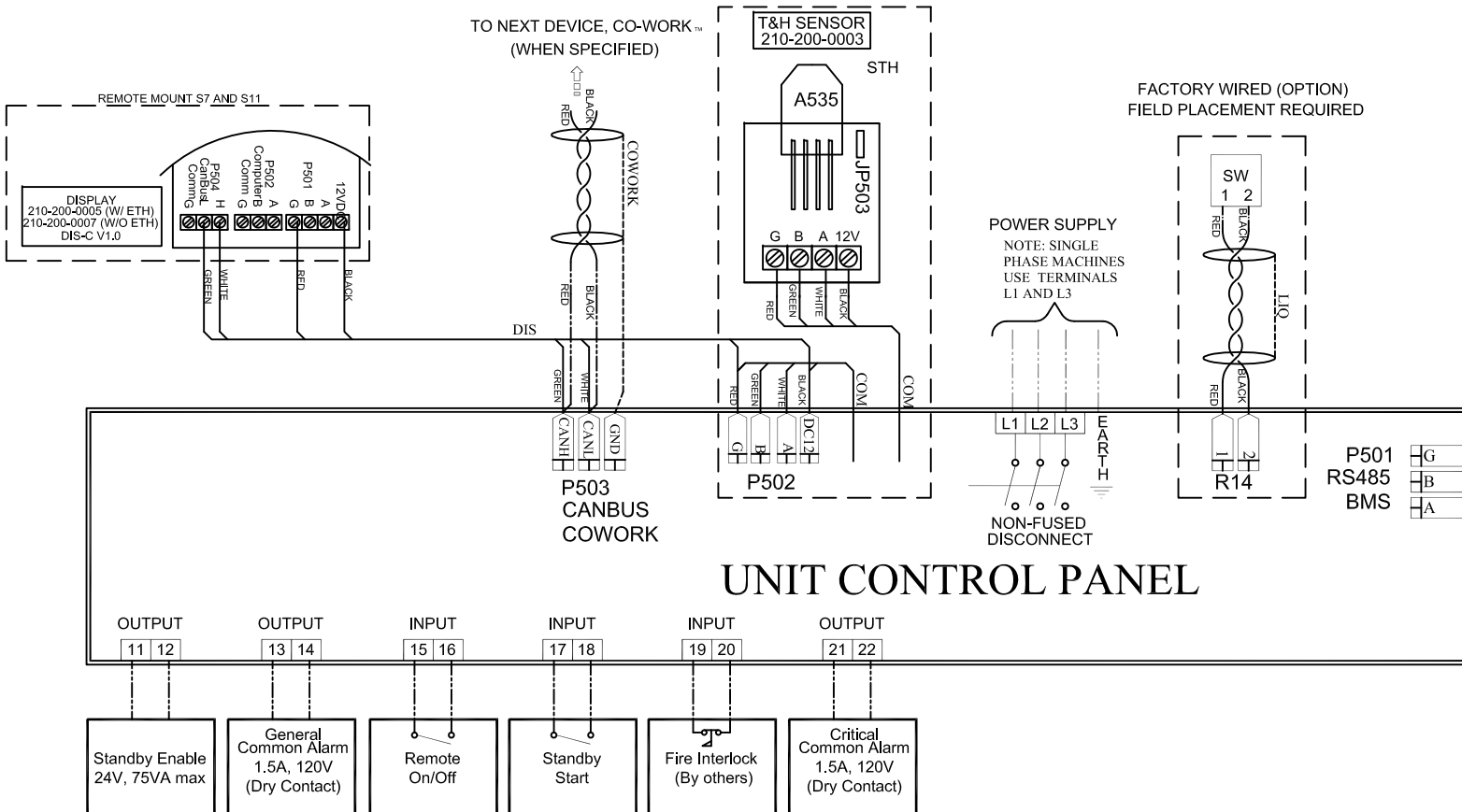


FACTORY WIRED FACTORY INSTALLED  
(FIELD INSTALLED SERIES 7 AND 11 ONLY)

TO NEXT DEVICE, CO-WORK™  
(WHEN SPECIFIED)



POWER SUPPLY  
NOTE: SINGLE  
PHASE MACHINES  
USE TERMINALS  
L1 AND L3

NON-FUSED  
DISCONNECT

P501 G  
RS485 B  
BMS A

⇔ RS 485 Communication  
for use with Modbus RTU  
⇔ Monitoring and Control System.

## UNIT CONTROL PANEL

### LEGEND

- TERMINALS ON PCB
- STH TEMPERATURE & HUMIDITY SENSOR
- SW WATER DETECTOR (OPTION)
- CONNECTION TERMINAL
- FACTORY WIRING
- FIELD SUPPLIED WIRING

### INTERFACE OPTIONS

| INPUTS  |  |  |
|---------|--|--|
| No.     | DESCRIPTION                                  |  |
| 35-36   | REMOTE ON/OFF INTERRUPT                      |  |
| 39-40   | CUSTOM FAULT No. 1                           |  |
| 41-42   | CUSTOM FAULT No. 2                           |  |
| 43-44   | LIQUID HIGH LIMIT<br>(STANDARD ON SERIES 11) |  |
| 57-58   | DAMPER END SWITCH                            |  |
| 49-50   | REHEAT/ HUMIDIFIER<br>DISABLE                |  |
| OUTPUTS |  |  |
| No.     | DESCRIPTION                                  |  |
| 37-38   | UNIT STATUS                                  |  |
| 59-60   | DAMPER INTERLOCK                             |  |