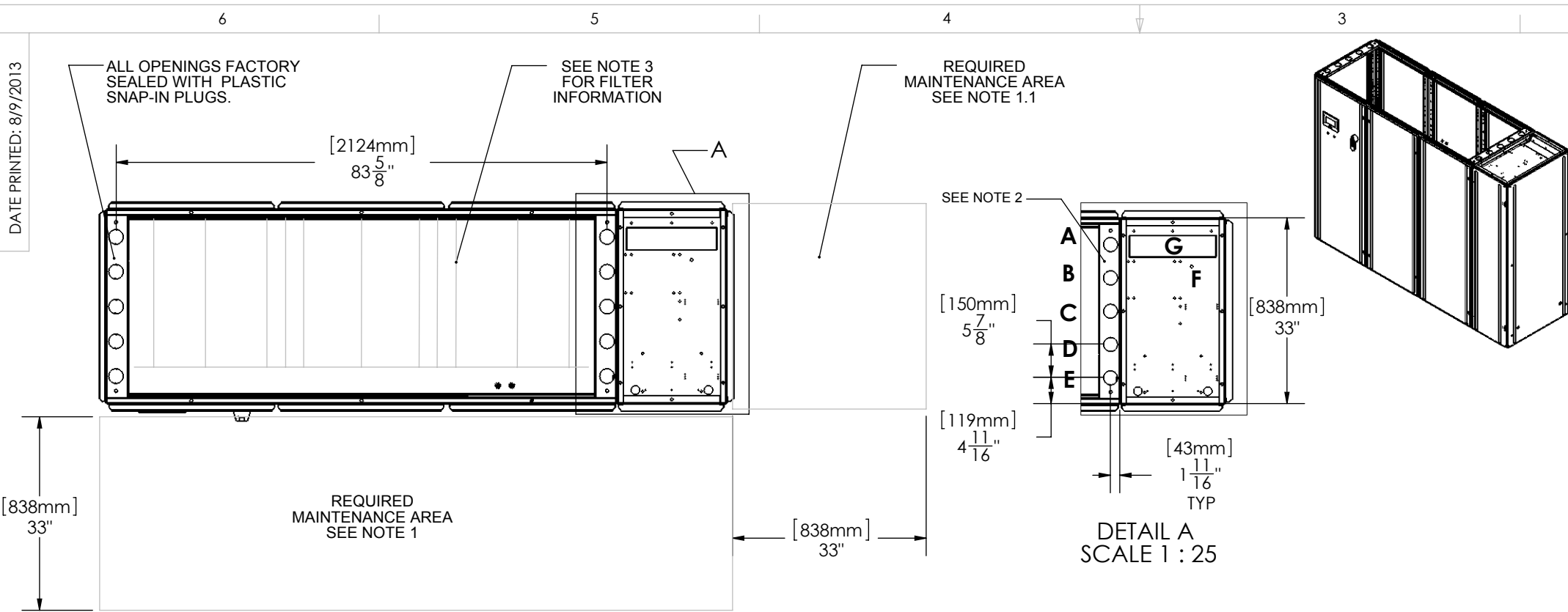


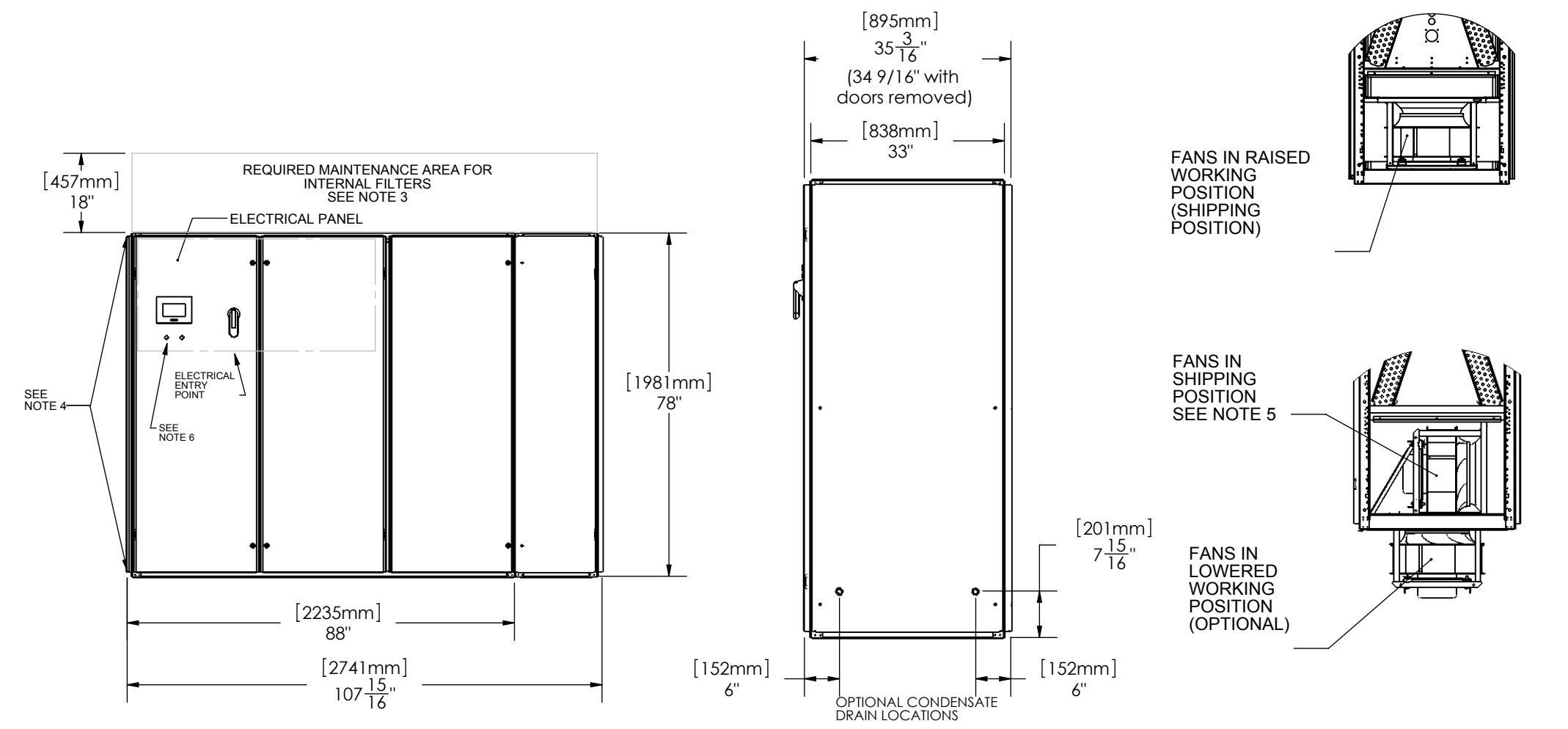
DATE PRINTED: 8/9/2013

REVISIONS			
REV.	DESCRIPTION	DATE	APPROVED
-	-	-	-
-	-	-	-



PIPING CONNECTION SIZES	
AIR COOLED: PAD076-087	
G = LIQUID LINE - OD - in \varnothing 7/8"	
G = HOT GAS LINE- OD - in \varnothing 1-3/8"	
GLYCOL COOLED: PGD076-087	
G = GLYCOL SOLUTION LINES - OD -in \varnothing 2-1/8"	
CHILLED WATER: PCD076-087	
A = HOT WATER REHEAT \varnothing 7/8" - RETURN	
B = HOT WATER REHEAT \varnothing 7/8" - SUPPLY	
C = CHILLED WATER \varnothing 2-1/8" - SUPPLY	
E = CHILLED WATER \varnothing 2-1/8" - RETURN	
DUAL CIRCUIT CHILLED WATER: PJD076-087	
A = CHILLED WATER B \varnothing 2-1/8" - RETURN	
B = CHILLED WATER B \varnothing 2-1/8" - SUPPLY	
C = CHILLED WATER A \varnothing 2-1/8" - SUPPLY	
E = CHILLED WATER A \varnothing 2-1/8" - RETURN	
WATER COOLED: PWD076-PWD087	
G = CONDENSING WATER LINES \varnothing 2-1/8"	
COMMON TO ALL	
D = CONDENSATE DRAIN \varnothing 3/4"	
F = HUMIDIFIER WATER SUPPLY \varnothing 1/4"	

NOTES:



- NOTES:**
1. CHILLED WATER ONLY: FANS, MOTORS, VALVES AND ELECTRICAL PANEL ARE FRONT SERVICEABLE .
 - 1.1. AIR COOLED, GLYCOL COOLED & WATER COOLED ONLY: FANS, MOTORS, AND ELECTRICAL PANEL ARE FRONT SERVICEABLE. VALVES, PIPING AND COMPRESSORS ARE SIDE SERVICE
 2. ALL PIPING THROUGH BOTTOM PIPING HOLES UNLESS SPECIFIED AT TIME OF ORDER. UNUSED HOLES WILL BE FACTORY PLUGGED.
 3. IF NO RETURN AIR PLENUM FILTER BOX IS ORDERED, INTERNAL FILTER BOX SET WILL BE SUPPLIED. FILTER SIZE 20"X25", QUANTITY 6. (FILTER SIZE AND QUANTITY FOR INTERNAL FILTER BOX ONLY SEE R/A PLENUM DRAWING FOR OTHER SIZES). SEE MAINTENANCE AREA REQUIRED.
 4. ELECTRICAL WIRING THROUGH TOP OR BOTTOM HOLES. ALL ENTRY POINTS MUST BE SEALED BY CONTRACTOR.
 5. FANS AVAILABLE IN BOTH UPPER AND LOWERED POSITION. PLEASE SPECIFY WHEN ORDERED. FANS LOWERED INTO THE FLOOR WILL SHIP IN THE RAISED POSITION. SEE FACTORY LOWERING INSTRUCTIONS.
 6. AUTO TRANSFER SWITCH INDICATOR LIGHTS OPTIONAL.

UNLESS OTHERWISE SPECIFIED DIMENSIONS ARE IN INCHES TOLERANCES:		BY	DATE	CLIMATEWORX INTERNATIONAL
FRACTIONAL: \pm 1/8		CL	08/09/2013	
ANGULAR: \pm 0.5° BEND \pm 2°		GB	08/09/2013	
DECIMAL				
XXX = \pm .010				
XX = \pm .020				
X = \pm .030				
HOLE DIA. +.003/-0.000				
THIRD ANGLE PROJECTION				
DRAWN		FINAL ASSEMBLY P-SERIES, DOWNFLOW		
CHECKED		PAD/PGD/PCD/PJD/PWD: 076-087/076		
CNC PROGRAM		PART NAME G-SIZE, PLUS A, SUBMITTAL		
---		SIZE DWG. NO. SPDD-GA		
---		REV. SEE TABLE		
FINISH: TEXTURED POWDERCOAT		SCALE: 1:20 SHEET 1 OF 1		
MATERIAL N/A		THICKNESS N/A		

CONFIDENTIAL: THE COPYRIGHT OF THIS DOCUMENT IS RESERVED BY CLIMATEWORX. THIS DOCUMENT IS ISSUED ON THE CONDITION THAT IT IS NOT COPIED, REPRODUCED OR DISCLOSED TO ANY OTHER PARTY WITHOUT WRITTEN CONSENT OF CLIMATEWORX.