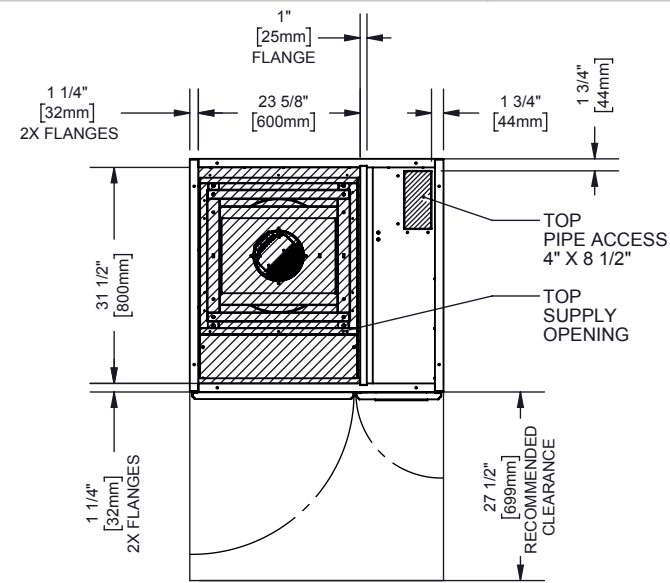


DATE PRINTED: 8/23/2018

REVISIONS			
REV.	DESCRIPTION	DATE	APPROVED
-	-	-	-
-	-	-	-



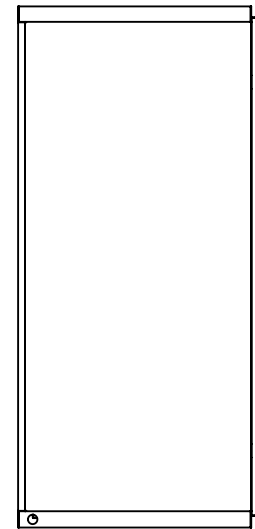
TOP VIEW

PIPING CONNECTION SIZE

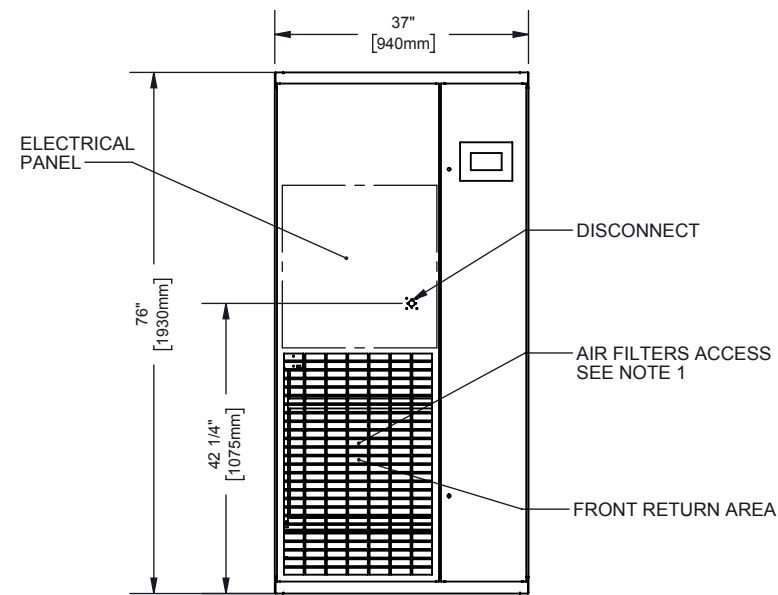
MODEL NO. SUFFIX	02	03	04	05
Liquid Line	-ODM in 1/2	1/2	1/2	1/2
Hot Gas Line	-ODM in 5/8	5/8	5/8	5/8
Humidifier Drain	-ODM in 3/4	3/4	3/4	3/4
Humidifier Water In	-ODM in 1/4	1/4	1/4	1/4
Cooling Coil Condensate	-ODM in 3/4	3/4	3/4	3/4
Chilled Water (when req'd)	-ODM in 1-1/8	1-1/8	1-1/8	1-1/8
Condenser Water (when req'd)	-ODM in 5/8	1-1/8	1-1/8	1-1/8
Glycol Solution (when req'd)	-ODM in 1-5/8	1-5/8	1-5/8	1-5/8

ODM - Outside Diameter of copper pipe in inches for soldering

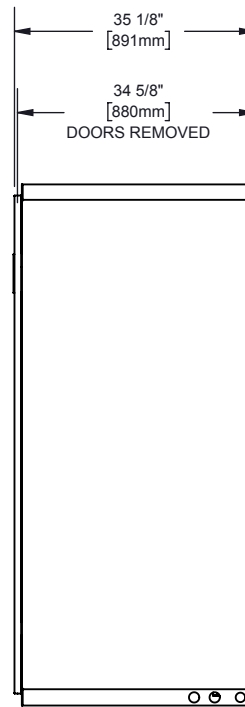
NOTES:



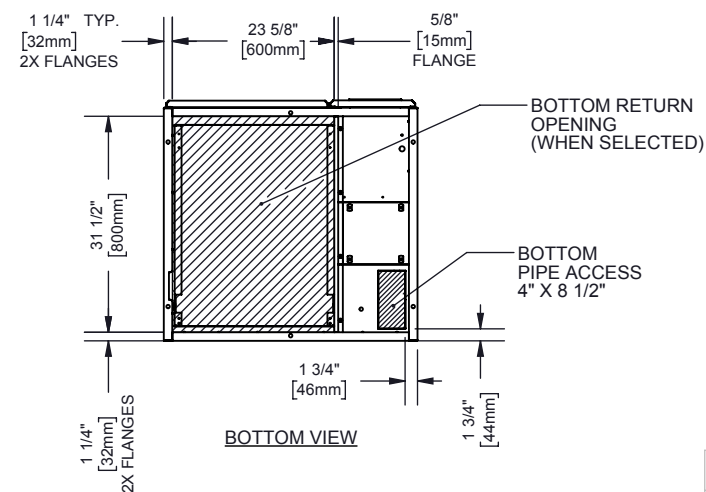
LEFT HAND VIEW



FRONT VIEW



RIGHT HAND VIEW



BOTTOM VIEW

NOTE:

1- AIR FILTER SIZES
2" FILTERS
QTY = 2, 20" X 24 "

2- ALL OVERALL DIMENSIONS ARE +/- 1/8"

UNLESS OTHERWISE SPECIFIED DIMENSIONS ARE IN INCHES TOLERANCES FRACTIONAL ± 1/16 ANGULAR ± 0.5° BEND ± 2° DECIMAL XXX = ± 0.10 XX = ± 0.05 X = ± 0.03 HOLE DIA. ± 0.03 / 0.05	BY	DATE
DRAWN	MG	2018-05-23
CHECKED	-	2018-05-23
CNC PROGRAM		

THIRD ANGLE PROJECTION

FINISH:	MATERIAL	THICKNESS



FINAL ASSEMBLY	PS6 UF
	FRM ASM,PS6,UF,AIR BOX
PART NAME	500-113-0002
SIZE	DWG. NO. S6UDX600-PS6
REV.	SEE TABLE
BD	K
SCALE: 1:20	SHEET 1 OF 1

CONFIDENTIAL: THE COPYRIGHT OF THIS DOCUMENT IS RESERVED BY CLIMATEWORX. THIS DOCUMENT IS ISSUED ON THE CONDITION THAT IT IS NOT COPIED, REPRODUCED OR DISCLOSED TO ANY OTHER PARTY WITHOUT WRITTEN CONSENT OF CLIMATEWORX.