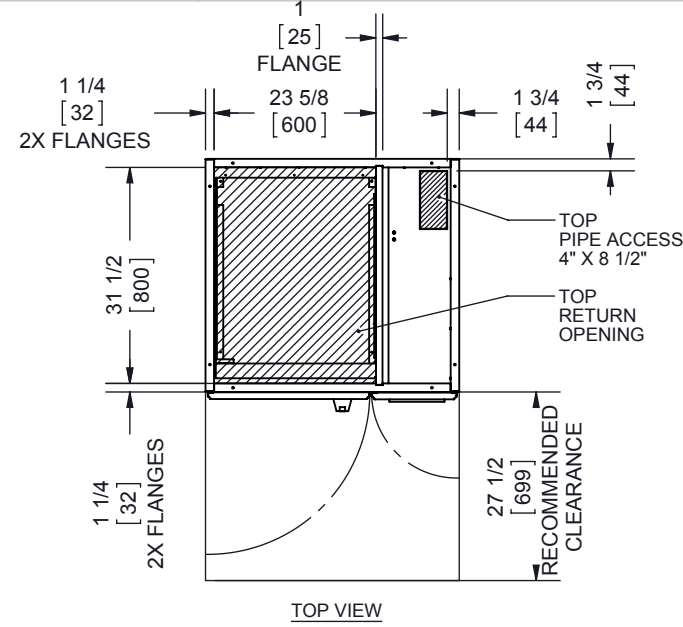


DATE PRINTED: 4/19/2013

REVISIONS			
REV.	DESCRIPTION	DATE	APPROVED
-	-	-	-
-	-	-	-

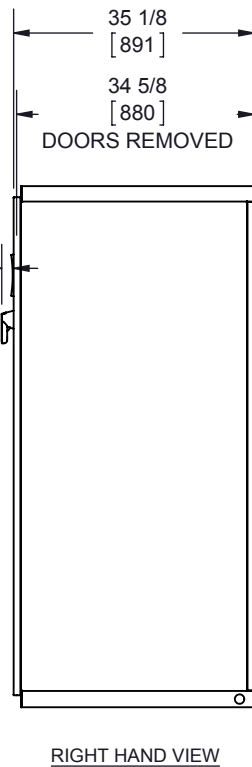
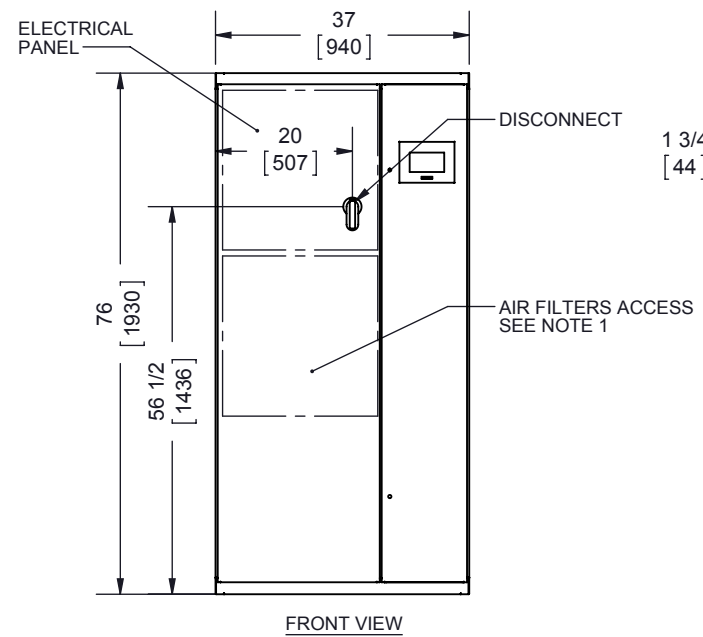


PIPING CONNECTION SIZE

MODEL NO. SUFFIX	02	03	04	05
Liquid Line	-0DM in	1/2	1/2	1/2
Hot Gas Line	-0DM in	5/8	5/8	5/8
Humidifier Drain	-0DM in	3/4	3/4	3/4
Humidifier Water In	-0DM in	1/4	1/4	1/4
Cooling Coil Condensate	-0DM in	3/4	3/4	3/4
Chilled Water (when req'd)	-0DM in	1-1/8	1-1/8	1-1/8
Condenser Water (when req'd)	-0DM in	5/8	1-1/8	1-1/8
Glycol Solution (when req'd)	-0DM in	1-5/8	1-5/8	1-5/8

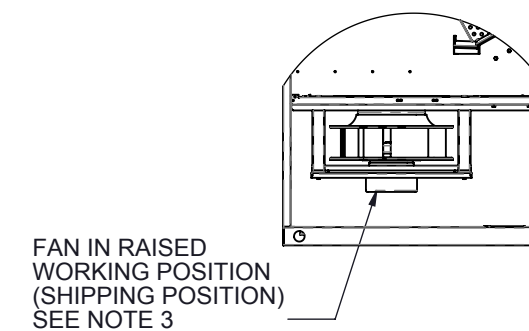
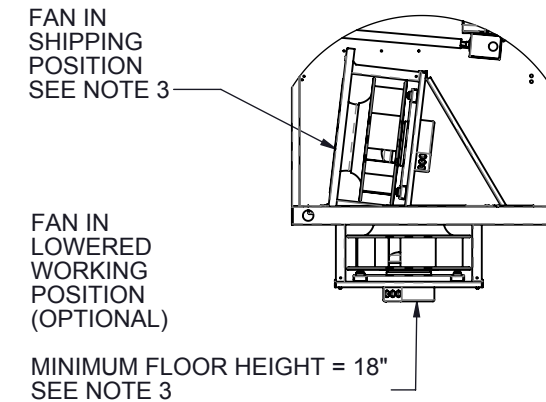
ODM - Outside Diameter of copper pipe in inches for soldering

NOTES:



NOTE:

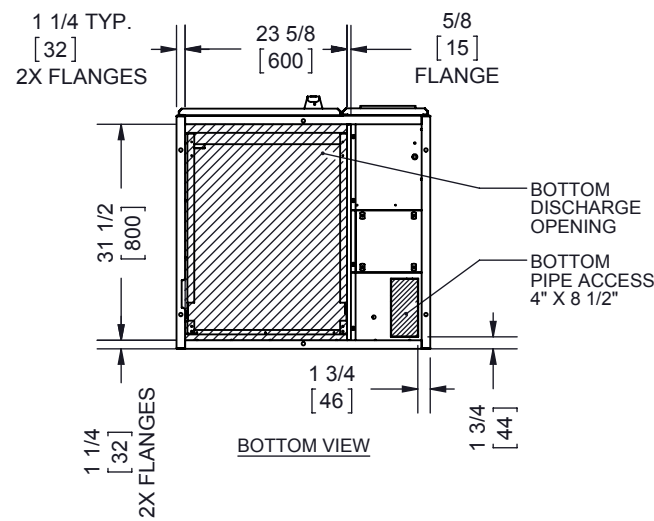
- 1- AIR FILTER SIZES
2" FILTERS
4" FILTERS (OPTIONAL)
QTY = 1, 12" X 24"
QTY = 2, 20" X 24"
- 2- ALL OVERALL DIMENSIONS ARE +/- 1/8"
- 3- FAN AVAILABLE IN BOTH UPPER AND LOWER POSITION. PLEASE SPECIFY WHEN ORDERED. FANS LOWERED INTO THE FLOOR WILL SHIP IN THE RAISED POSITION. SEE FACTORY LOWERING INSTRUCTIONS.



LEFT HAND VIEW

FRONT VIEW

RIGHT HAND VIEW



BOTTOM VIEW

UNLESS OTHERWISE SPECIFIED
DIMENSIONS ARE IN INCHES
TOLERANCES
FRACTIONAL ± 1/8
ANGULAR ± 0.5° BEND ± 2°
DECIMAL
XXX = ± 0.10
XX = ± 0.05
X = ± 0.03
HOLE DIA. +0.03/0.00

THIRD ANGLE PROJECTION

	BY	DATE
DRAWN	CL	01/19/2012
CHECKED	GJN	01/19/2012
CNC PROGRAM		
FINISH:		
MATERIAL		THICKNESS



FINAL ASSEMBLY
PS6
FRM ASM,PS6,DF,AIR BOX

PART NAME
500-113-0001

SIZE DWG. NO.
B S6DDX600-PS6

REV.
SEE TABLE

CONFIDENTIAL: THE COPYRIGHT OF THIS DOCUMENT IS RESERVED BY CLIMATEWORX. THIS DOCUMENT IS ISSUED ON THE CONDITION THAT IT IS NOT COPIED, REPRODUCED OR DISCLOSED TO ANY OTHER PARTY WITHOUT WRITTEN CONSENT OF CLIMATEWORX.

SCALE: 1:20 SHEET 1 OF 1