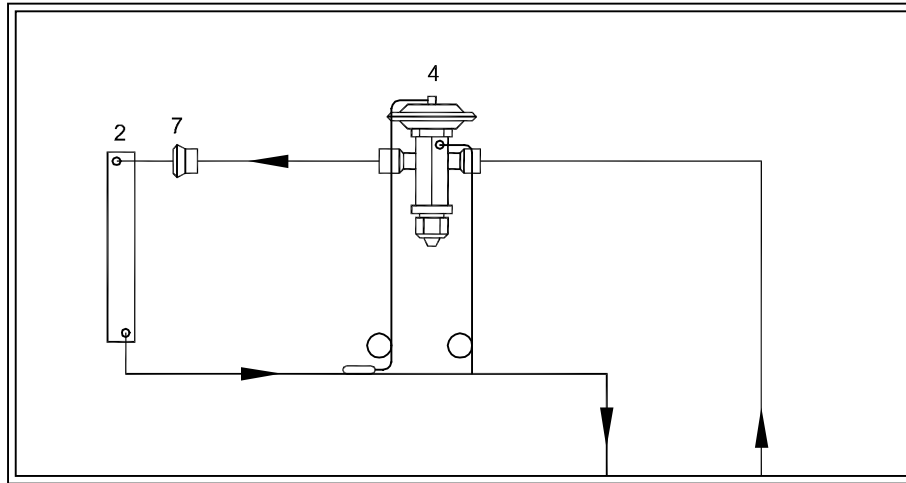
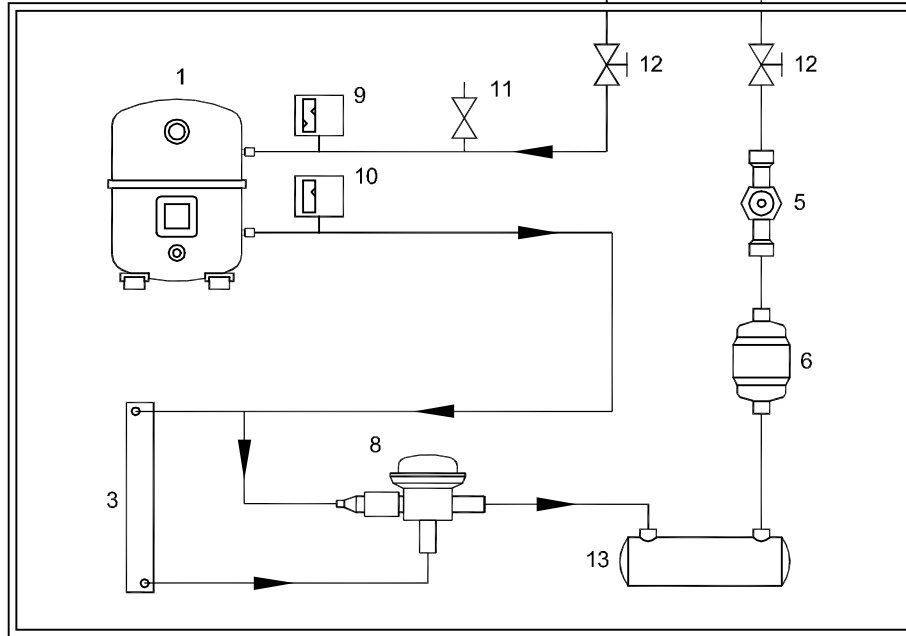




WALL MOUNT INDOOR EVAPORATING UNIT



Field Connection



OUTDOOR CONDENSING UNIT

COMPONENTS

- |   |                              |    |                                    |
|---|------------------------------|----|------------------------------------|
| 1 | Compressor                   | 8  | Head Pressure Control Valve (OROA) |
| 2 | Evaporator Coil              | 9  | Low Pressure Switch                |
| 3 | Condenser Coil               | 10 | High Pressure Switch               |
| 4 | Thermostatic Expansion Valve | 11 | Access Valve                       |
| 5 | Sight Glass                  | 12 | Isolation Valve                    |
| 6 | Filter-Drier                 | 13 | Receiver                           |
| 7 | Refrigerant Distributor      |    |                                    |