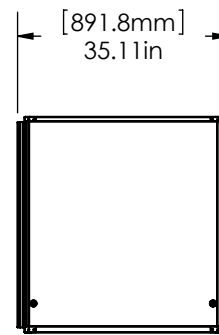
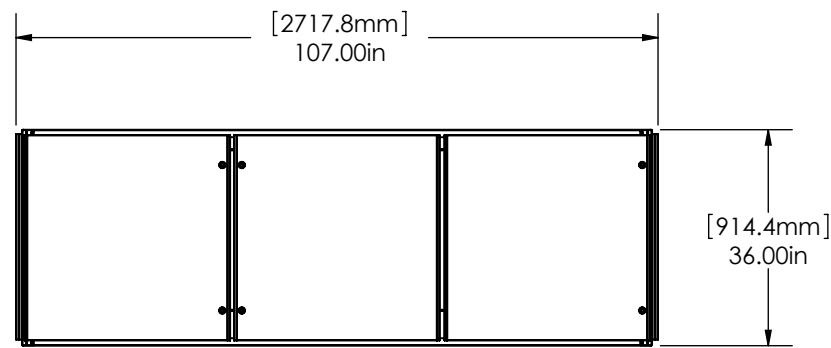
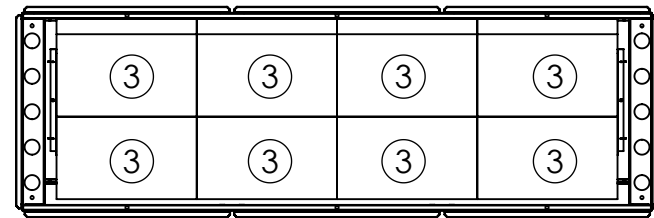


DATE PRINTED: 3/27/2013

REVISIONS			
REV.	DESCRIPTION	DATE	APPROVED
-	-	-	-
-	-	-	-



INSULATION  
SEE NOTE

HINGED DOORS  
FOR RETURN AIR  
FILTERS REMOVAL

1/4" TURN  
FASTENER FOR  
EASY ACCESS

RETURN AIR FILTERS

FACTORY  
PROVISION FOR  
TOP PIPING.  
THIS SIDE ONLY.

OPTIONAL  
PLENUM  
PLUS (A)  
SECTION  
AVAILABLE

P-SERIES

P-SERIES, PLUS  
"A" SECTION

NOTES:

TABLE OF FILTERS USED

ITEM	FILTER SIZE	QTY
1	16X20X4	-
2	20X20X4	-
3	20X24X4	8
4	20X25X4	-

NOTE: OTHER FILTER ARRANGEMENTS ARE AVAILABLE UPON REQUEST.

NOTE:

1. 1/4" -UNIFOAM S82N UL-94 HF-1. (OPTIONAL).
2. FIBRE INSULATION. NFPA-90A. A MIN 1" THICK, 24 kg/m3 (1 1/2 lb/ft3) DENSITY FIBRE INSULATION.

UNLESS OTHERWISE SPECIFIED  
DIMENSIONS ARE IN INCHES  
TOLERANCES:  
FRACTIONAL ± 1/8  
ANGULAR: ± 0.5° BEND ± 2°  
DECIMAL  
XXX = ±.010  
XX = ±.020  
X = ±.030  
HOLE DIA. +.003/-0.000

THIRD ANGLE PROJECTION



	BY	DATE
DRAWN	IZ	11/06/2009
CHECKED	GN	11/06/2009
CNC PROGRAM		
FINISH:	TEXTURED POWDERCOAT	
MATERIAL	N/A	THICKNESS N/A



FINAL ASSEMBLY		DOWNFLOW DISCHARGE PLENUM	
		SPDP-HP	
PART NAME		SPDP-HP	
SIZE	DWG. NO.	SPDP-HP	
BD	N/A	K	SCALE: 1:20
		SHEET 1 OF 1	

**CONFIDENTIAL:** THE COPYRIGHT OF THIS DOCUMENT IS RESERVED BY CLIMATEWORX. THIS DOCUMENT IS ISSUED ON THE CONDITION THAT IT IS NOT COPIED, REPRODUCED OR DISCLOSED TO ANY OTHER PARTY WITHOUT WRITTEN CONSENT OF CLIMATEWORX.