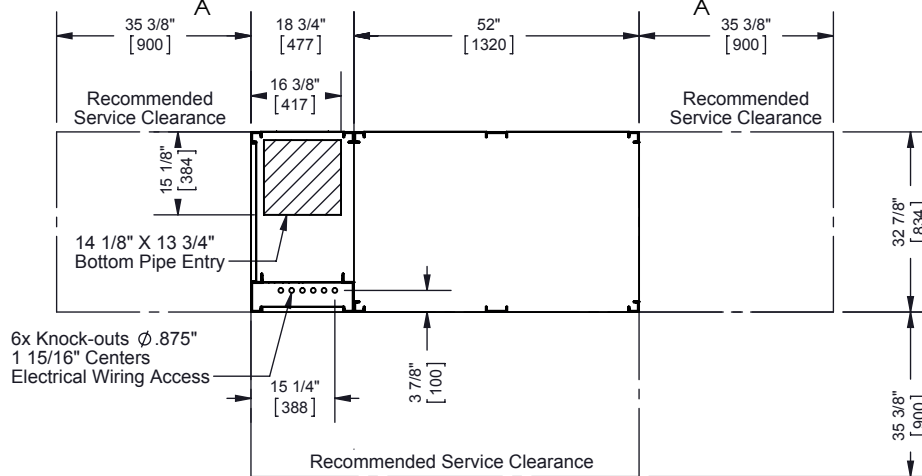
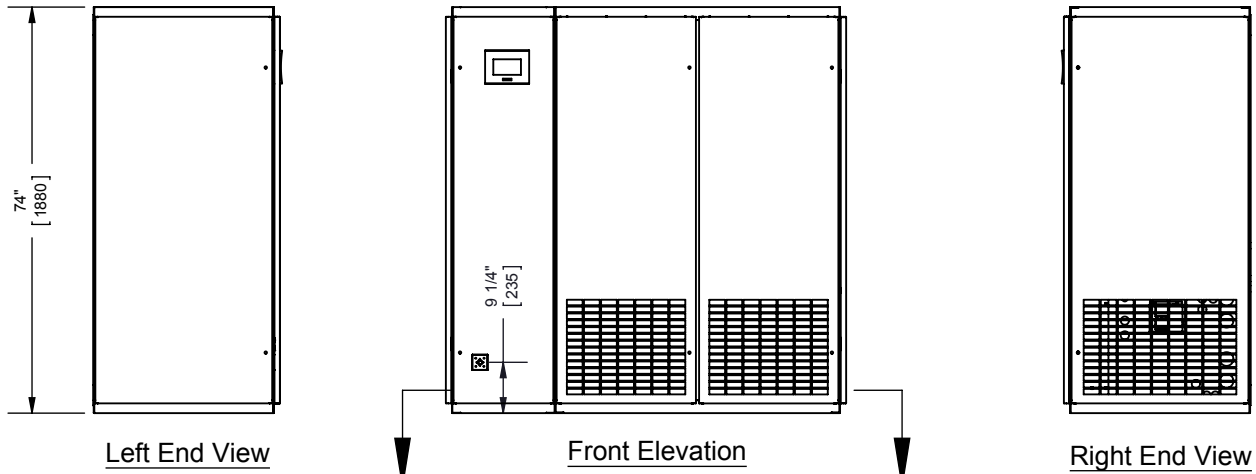
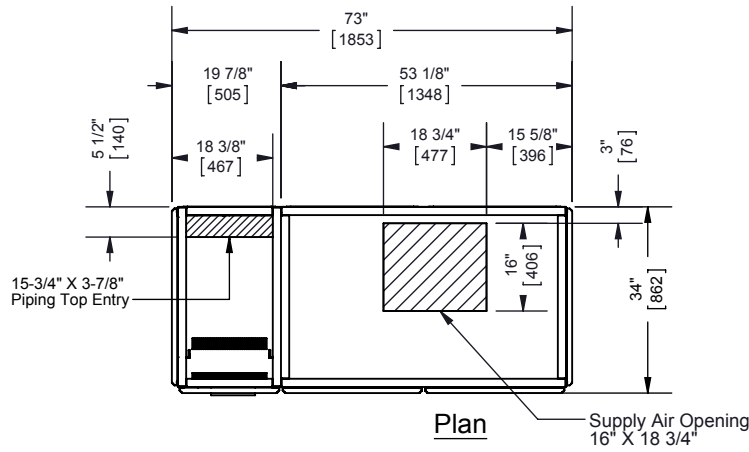


SERIES 9 - VERTICAL FLOOR MOUNT UPFLOW UNIT LEFT HAND STD. COOLING (2+1) "A" MODULE UNIT



PIPING CONNECTION SIZE

MODEL NO. SUFFIX		06	08	12
Liquid Refrigerant	-ODM in	1/2	1/2	1/2
Hot Gaseous Refrigerant	-ODM in	7/8	7/8	7/8
Hot Water	-ODM in	3/4	1	1
Steam	-MPT in	7/8	7/8	7/8
Steam Condensate	-ODM in	3/4	3/4	3/4
Humidifier Water	-ODM in	1/4	1/4	1/4
Cooling Coil Condensate	-ODM in	3/4	3/4	3/4
Chilled Water	-ODM in	1 1/8	1 1/8	1 5/8
Condensing Water	-ODM in	1 1/8	1 1/8	1 3/8
Glycol Solution	-ODM in	1 5/8	1 5/8	2 1/8

ODM - Outside Diameter of copper pipe in inches for soldering

MPT - Male Pipe Thread