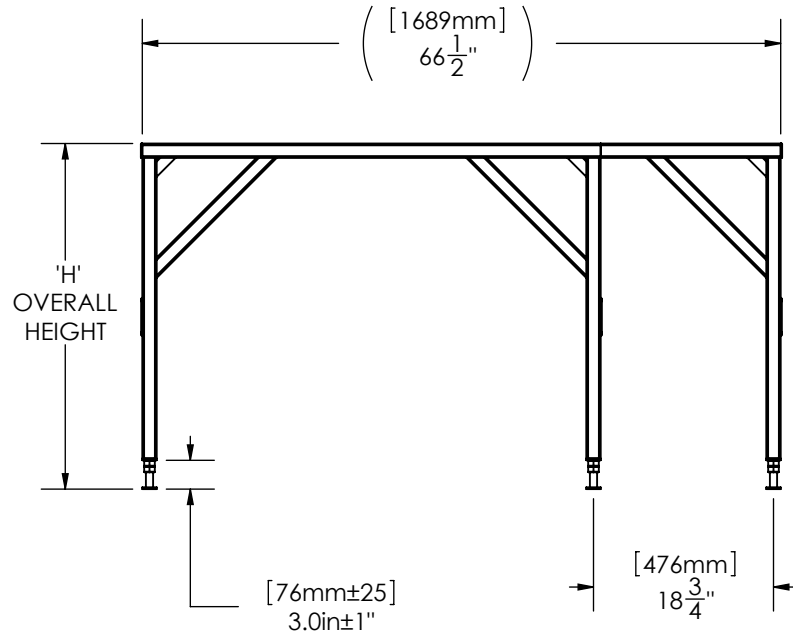
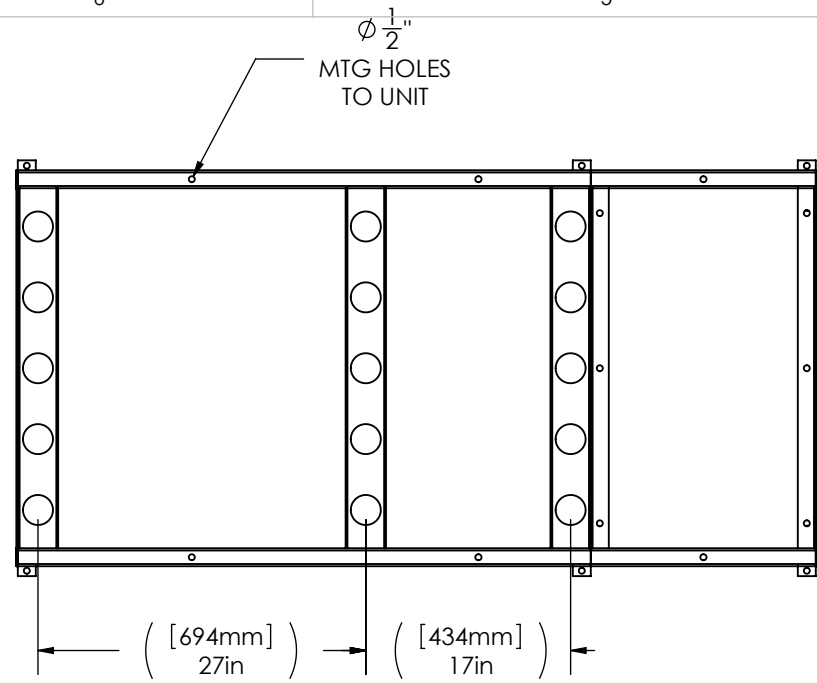


DATE PRINTED: 4/9/2013

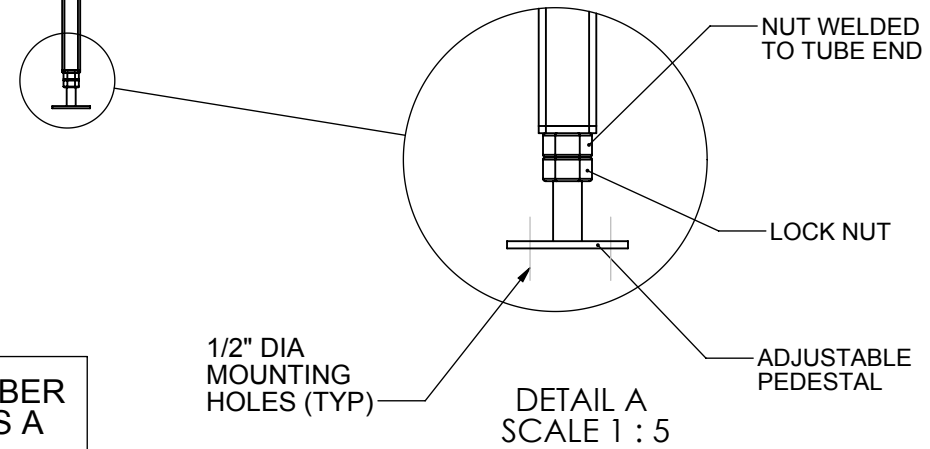
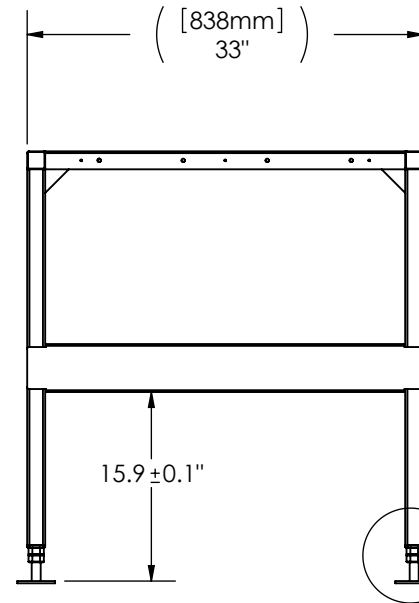
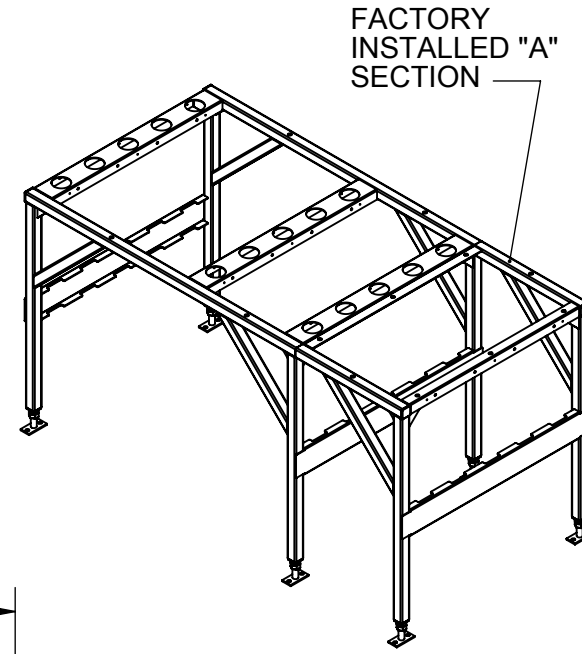


NOTES:

FLOORSTAND MATERIAL:
STRUCTURAL STEEL TUBE 1.5"x1.5"x1/8" WALL THICKNESS

FLOORSTAND FINISH:
BLACK SMOOTH POWDERCOAT

OVERALL HEIGHT:
MODEL AS SHOWN, SEE TABLE. OTHER HEIGHTS MAY NOT BE AS SHOWN AND MAY BE ON A DIFFERENT DRAWING. HEIGHTS NOT LISTED AVAILABLE ON REQUEST.



OVERALL HEIGHT "H"	PART NUMBER	PART NUMBER FOR PLUS A
36"	780-100-0101	780-100-0098

REVISIONS			
REV.	DESCRIPTION	DATE	APPROVED
-	-	-	-
-	-	-	-

NOTES:

UNLESS OTHERWISE SPECIFIED DIMENSIONS ARE IN INCHES
TOLERANCES:
FRACTIONAL ± 1/8
ANGULAR: ± 0.5° BEND ± 2°
DECIMAL
XXX = ±.010
XX = ±.020
X = ±.030
HOLE DIA. +.003/-0.000

THIRD ANGLE PROJECTION

	BY	DATE
DRAWN	PS	08/31/2009
CHECKED	IZ	08/31/2009
CNC PROGRAM		
FINISH:	BLACK SMOOTH POWDERCOAT	
MATERIAL	N/A	THICKNESS N/A



FINAL ASSEMBLY
FLOOR STAND 36", PLUS A
SUBMITTAL DRAWING

PART NAME
SEE TABLE

SIZE DWG. NO.
B SPDF-DPA-36

REV.
SEE TABLE

CONFIDENTIAL: THE COPYRIGHT OF THIS DOCUMENT IS RESERVED BY CLIMATEWORX. THIS DOCUMENT IS ISSUED ON THE CONDITION THAT IT IS NOT COPIED, REPRODUCED OR DISCLOSED TO ANY OTHER PARTY WITHOUT WRITTEN CONSENT OF CLIMATEWORX.



BD	N/A	K	SCALE: 1:20	SHEET 1 OF 1
----	-----	---	-------------	--------------