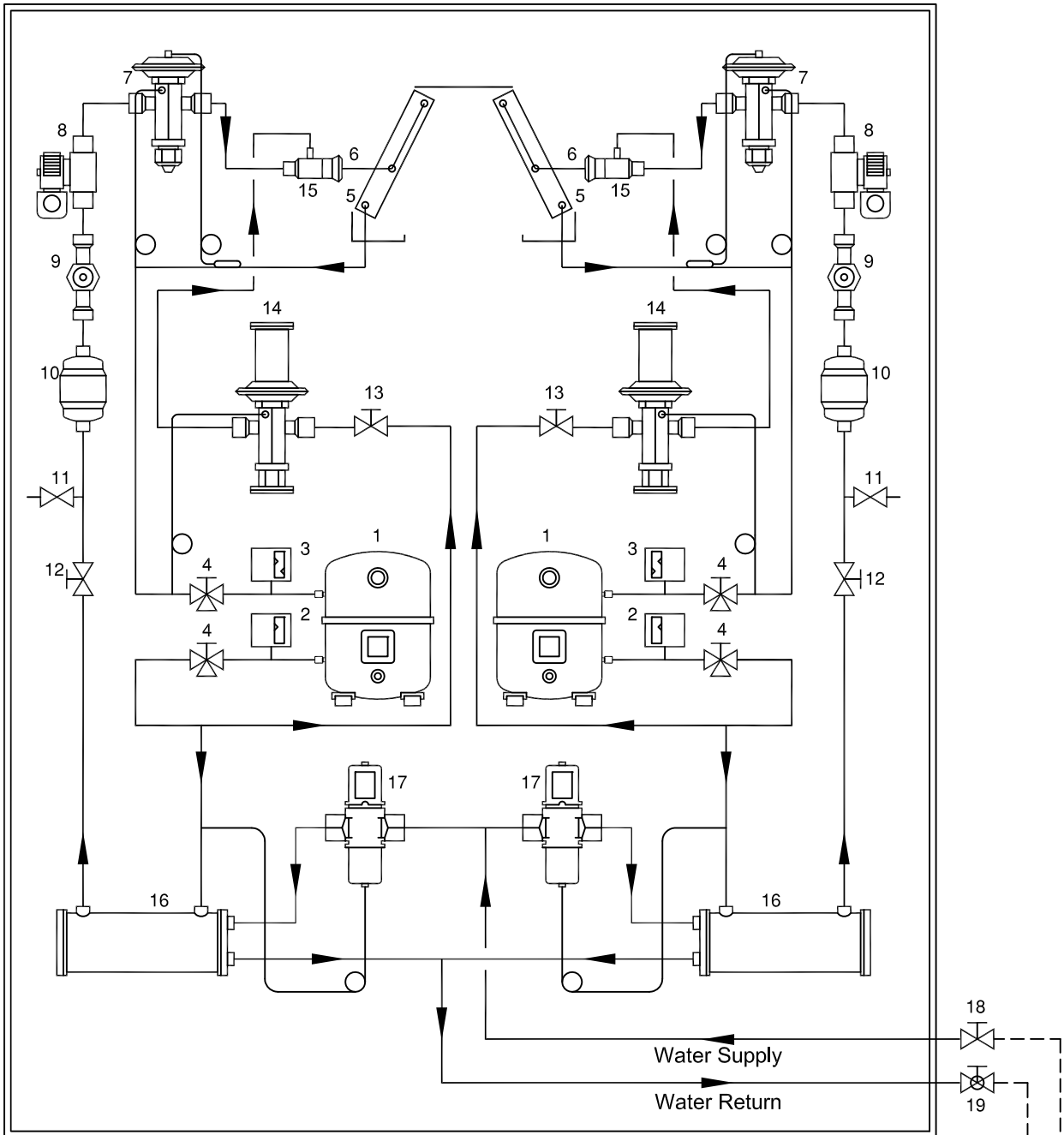


VERTICAL FLOOR MOUNT UNIT



COMPONENTS:

- | | |
|--------------------------------|--|
| 1 Compressor | 11 Access valve |
| 2 High pressure switch | 12 Shut off valve |
| 3 Low pressure switch | 13 Hot Gas Bypass Manual Shut-off Valve |
| 4 Rotalock valve | 14 Hotgas bypass valve |
| 5 Evaporator | 15 Side connection distributor |
| 6 Refrigerant distributor | 16 Water cooled condenser/heat exchanger |
| 7 Thermostatic expansion valve | 17 Water regulating valve (Standard 2-way, optional 3-way) |
| 8 Liquid line solenoid valve | 18 Gate valve (supplied by others) |
| 9 Sight glass | 19 Globe valve (supplied by others) |
| 10 Filter-Drier | |

TO REMOVE
COOLING TOWER/
DRY COOLER