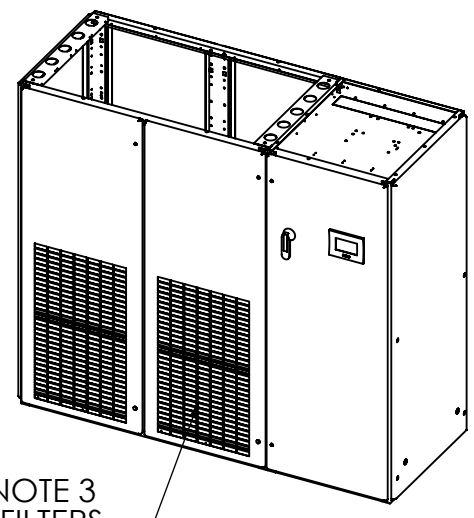
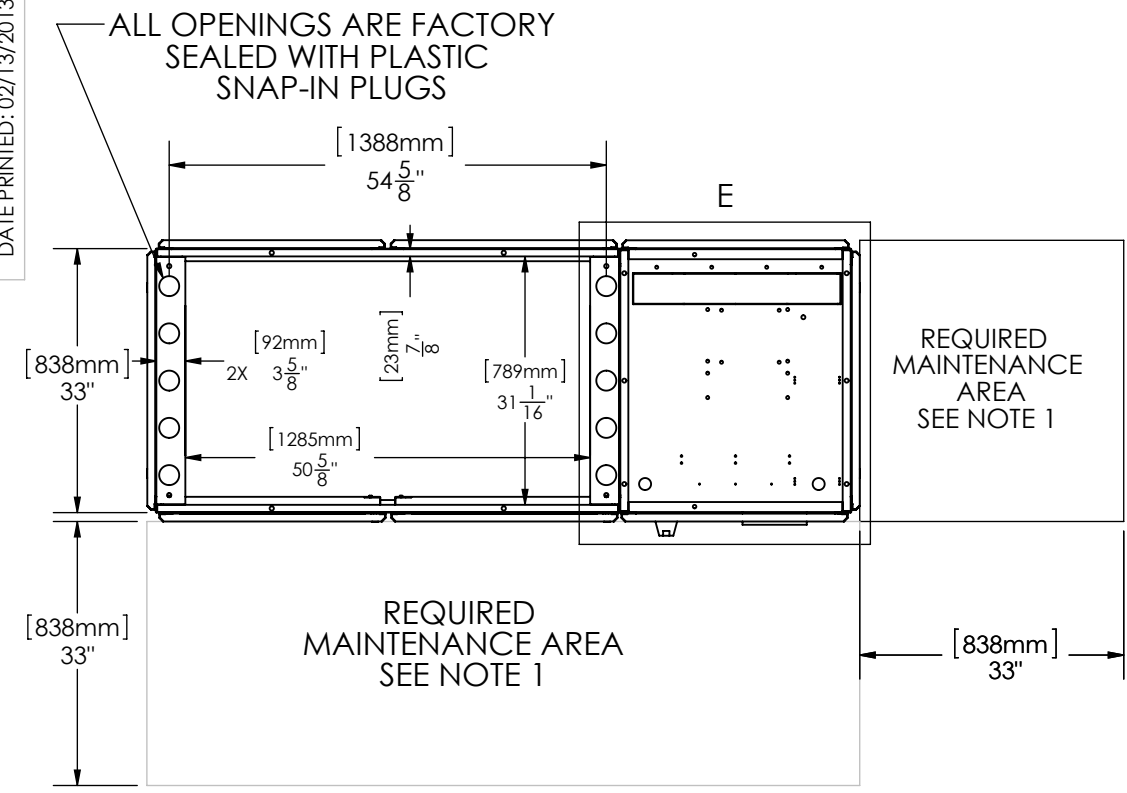


DATE PRINTED: 02/13/2013

REVISIONS			
REV.	DESCRIPTION	DATE	APPROVED
-	-	-	-
-	-	-	-



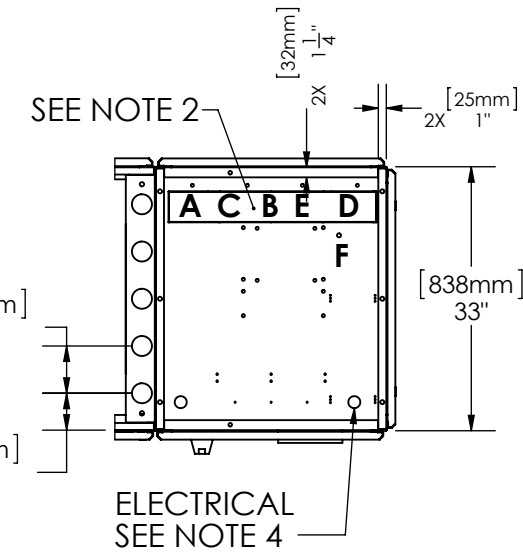
PIPING CONNECTION SIZES

FREE COOLED PFU XXX
A = HOT WATER REHEAT Ø 7/8" - RETURN
B = HOT WATER REHEAT Ø 7/8" - SUPPLY
C = CHILLED WATER Ø 1 5/8" - SUPPLY
D = CONDENSATE DRAIN Ø 3/4"
E = CHILLED WATER Ø 1 5/8" - RETURN
F = HUMIDIFIER WATER SUPPLY Ø 1/4"

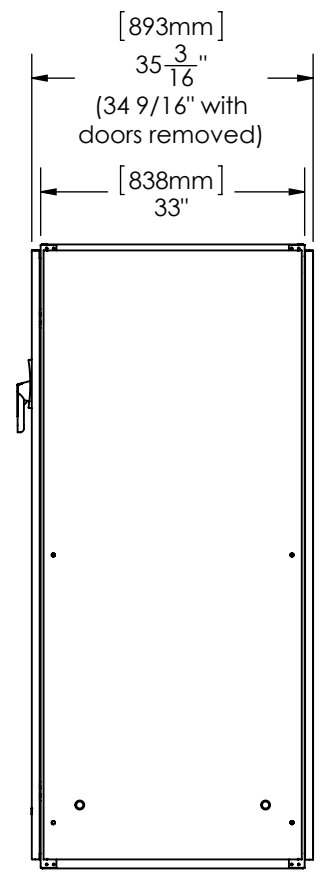
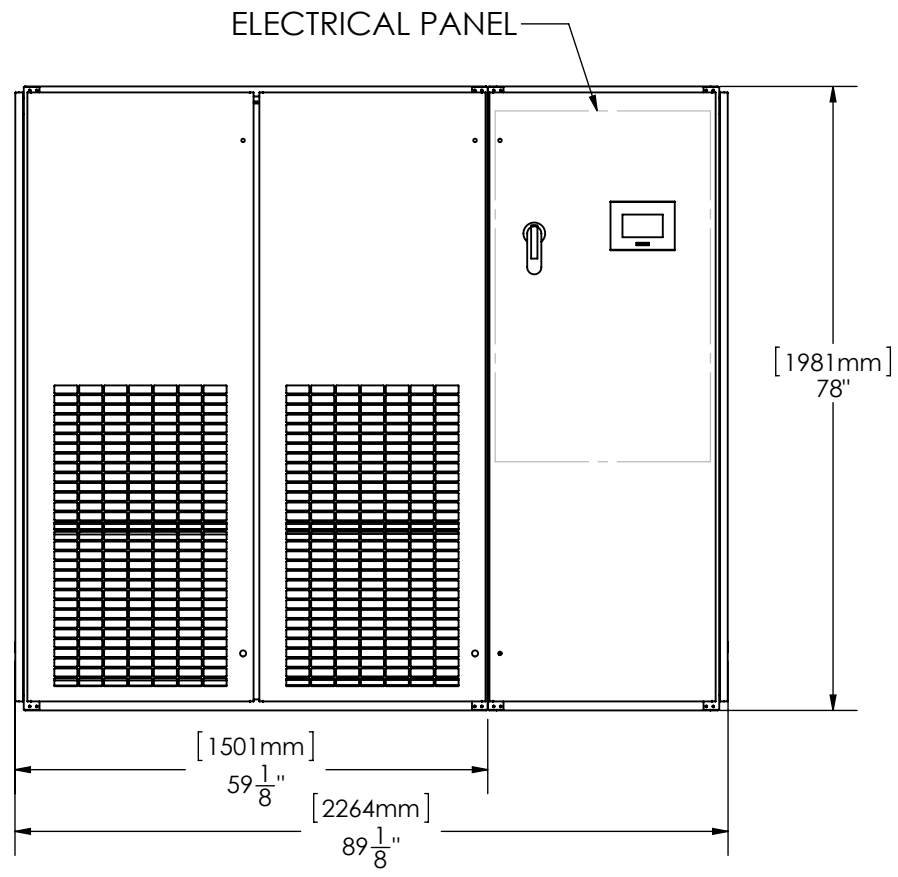
NOTES:

- NOTES:**
1. FANS, MOTORS, AND ELECTRICAL PANEL ARE FRONT SERVICEABLE. VALVES, PIPING AND COMPRESSORS ARE SIDE SERVICE.
 2. ALL PIPING THROUGH TOP PIPING HOLES UNLESS SPECIFIED AT TIME OF ORDER. UNUSED HOLES WILL BE FACTORY PLUGGED.
 3. FILTERS. QTY=4, 20x25x2
 4. ELECTRICAL WIRING THROUGH TOP OR BOTTOM HOLES. ALL ENTRY POINTS MUST BE SEALED BY CONTRACTOR.

SEE NOTE 3 FOR FILTERS



DETAIL E



CONFIDENTIAL: THE COPYRIGHT OF THIS DOCUMENT IS RESERVED BY CLIMATEWORX. THIS DOCUMENT IS ISSUED ON THE CONDITION THAT IT IS NOT COPIED, REPRODUCED OR DISCLOSED TO ANY OTHER PARTY WITHOUT WRITTEN CONSENT OF CLIMATEWORX.

UNLESS OTHERWISE SPECIFIED DIMENSIONS ARE IN INCHES
 TOLERANCES:
 FRACTIONAL ± 1/8
 ANGULAR: ± 0.5° BEND ± 2°
 DECIMAL
 XXX = ±.010
 XX = ±.020
 X = ±.030
 HOLE DIA. +.003/-0.000

	BY	DATE
DRAWN	CL	01/18/2013
CHECKED	MG	01/18/2013
CNC PROGRAM		
FINISH:		
MATERIAL		
THICKNESS		

FINAL ASSEMBLY P-SERIES, UPFLOW

PART NAME PFU042
E-SIZE, PLUS B SUBMITTAL

SIZE DWG. NO. REV. SEE TABLE
B SPDU-F-EPB

SCALE: 1:20 SHEET 1 OF 1