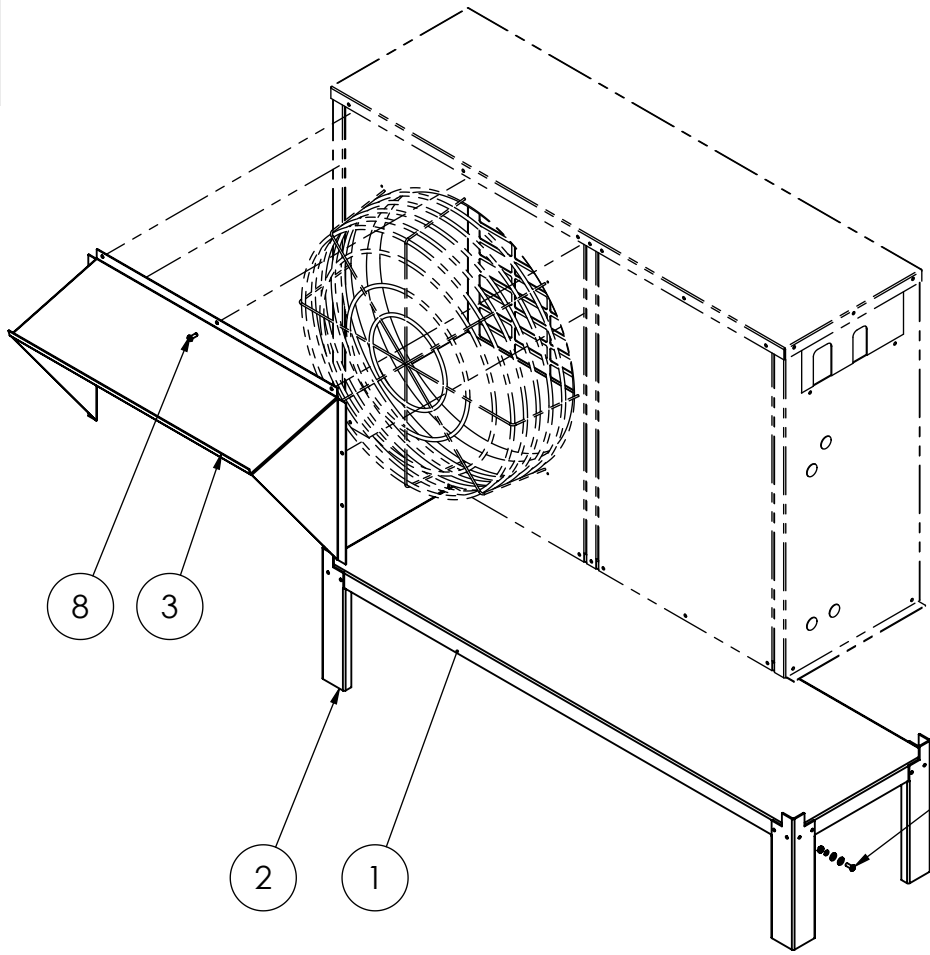


DATE PRINTED: 3/13/2014

REVISIONS			
REV.	DESCRIPTION	DATE	APPROVED
-	-	-	-
-	-	-	-

ITEM NO.	PART NUMBER	DESCRIPTION	QTY.
1	7C087	SUPPORT PLATE	1
2	7C088	SUPPORT LEG	4
3	7C080	FAN HOOD	1
4	Preferred Narrow FW 0.19	WASHER FLAT#10 ZI	32
5	CR-PHMS 0.19-32x0.5x0.5-N	SCREW PAN HD 10-32 X .50"	16
6	Regular LW 0.19	WASHER LOCK #10	16
7	MSHXNUT 0.190-32-S-N	HEX NUT #10-32	16
8	PANHTS 0.19-24-type IA-D-0.563-N	SCREW SELF-TAPPING #10	7



- 5
- 4
- 4
- 6
- 7

CLIMATEWORX INTERNATIONAL (CWI) CONFIDENTIAL: THE COPYRIGHT OF THIS DOCUMENT IS RESERVED BY CLIMATEWORX INTERNATIONAL INC.. THIS DOCUMENT IS ISSUED ON THE CONDITION THAT IT IS NOT COPIED, REPRODUCED OR DISCLOSED TO ANY OTHER PARTY WITHOUT WRITTEN CONSENT OF CLIMATEWORX INTERNATIONAL INC.

UNLESS OTHERWISE SPECIFIED DIMENSIONS ARE IN INCHES TOLERANCES: FRACTIONAL ± ANGULAR: MACH ± BEND ±2° DECIMAL XXX = ±.010 XX = ±.020 X = ±.030 HOLE DIA. +.003/-0.000		BY BO	DATE 2010.01.18	
THIRD ANGLE PROJECTION		CHECKED PS	DATE 2010.01.18	
		CNC PROGRAM -		FINAL ASSEMBLY SNOW KIT, SERIES 7, 11 UNITS INSTALLATION
		PART NAME S7DD601		
		SIZE A		DWG. NO. S7DD601
		MATERIAL N/A		THICKNESS N/A
		BD N/A		K
		SCALE: 1:12		SHEET 1 OF 1
		REV. SEE TABLE		