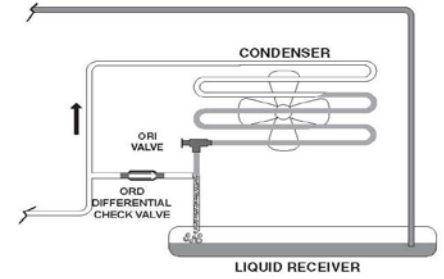
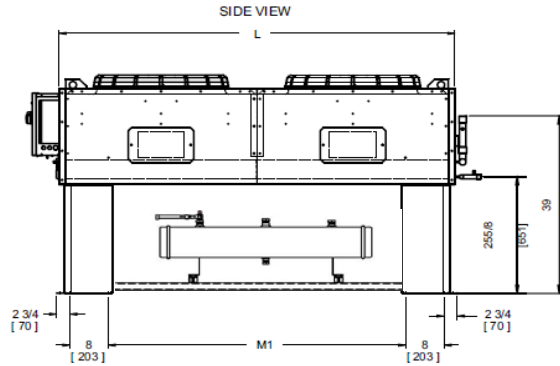
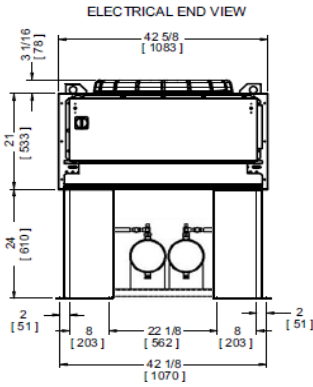




ClimateWorx Medium Line Air Cooled Condenser c/w Heated Receiver Kit - Submittal Data - 60 Hz

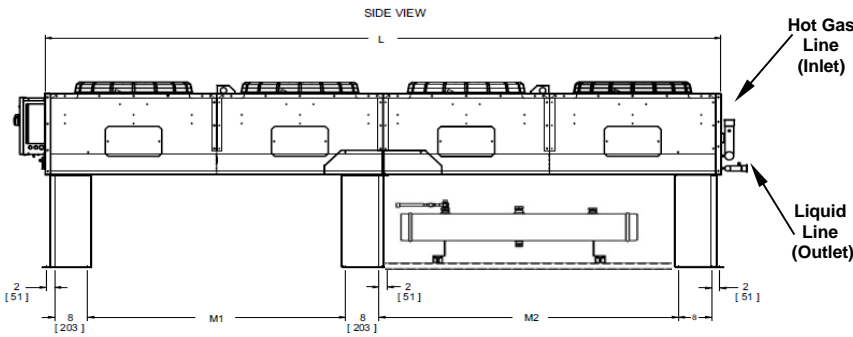
1 - 3 FANS LONG



ORI / ORD CONDENSER PRESSURE CONTROL

**Factory Mounted & Piped
Receiver Kits fit within
Standard Unit Leg Configuration**

4 FANS LONG



Model	Fan Config.	Dimensions (inch)		
		L	M1	M2
KM13-305-2	1 x 3	122.5	102	-
KM13-334-2				
KM13-356-2				
KM13-378-2				
KM13-396-2				
KM13-420-2	1 x 4	162.5	62	72
KM14-492-2				
KM14-515-2				

Medium Line - Dual Refrigeration Circuit - Air Cooled Condenser c/w Heated Receiver Kit

Model	R-407C THR Capacity (Btu/hr)				Fan Data		Sound Level Data @ 30 ft dBA	Conn. Sizes (inch)		Refrigerant Charge (lb)	Approx Ship Weight (lb)				
	TD = Condensing T - Ambient T				Qty	Air Flow (CFM)		Hot Gas Line (Inlet)	Liquid Line (Outlet)	Winter Flooded (-40°F) Amb.					
	15F° TD	20F° TD	25F° TD	30F° TD						R-407C					
KM13-305-2	182,850	243,800	304,750	365,700	3	21,300	54	2 1/8	1 3/8	55.2	750				
KM13-334-2	200,100	266,800	333,500	400,200		20,600						760			
KM13-356-2	214,500	286,000	357,500	429,000		19,900							770		
KM13-378-2	226,800	302,400	378,000	453,600		20,500								800	
KM13-396-2	237,600	316,800	396,000	475,200		19,900									815
KM13-420-2	252,000	336,000	420,000	504,000		19,200									
KM14-492-2	295,350	393,800	492,250	590,700	26,600	55	2 5/8	1 5/8	75.1	960					
KM14-515-2	309,000	412,000	515,000	618,000							27,400	92.3			

- Notes :**
- Above capacity data based on 0°F subcooling @ sea level
 - For 50 Hz Capacity multiply by 0.92
 - All Fans are 26" Dia c/w 3/4 HP Motors @ 1,075 RPM

In the interest of continuous improvement, ClimateWorx reserves the right to change specifications without notice - Nov 2010. While every endeavor is made to ensure accuracy, ClimateWorx accepts no responsibility or liability resulting from the use of this information.