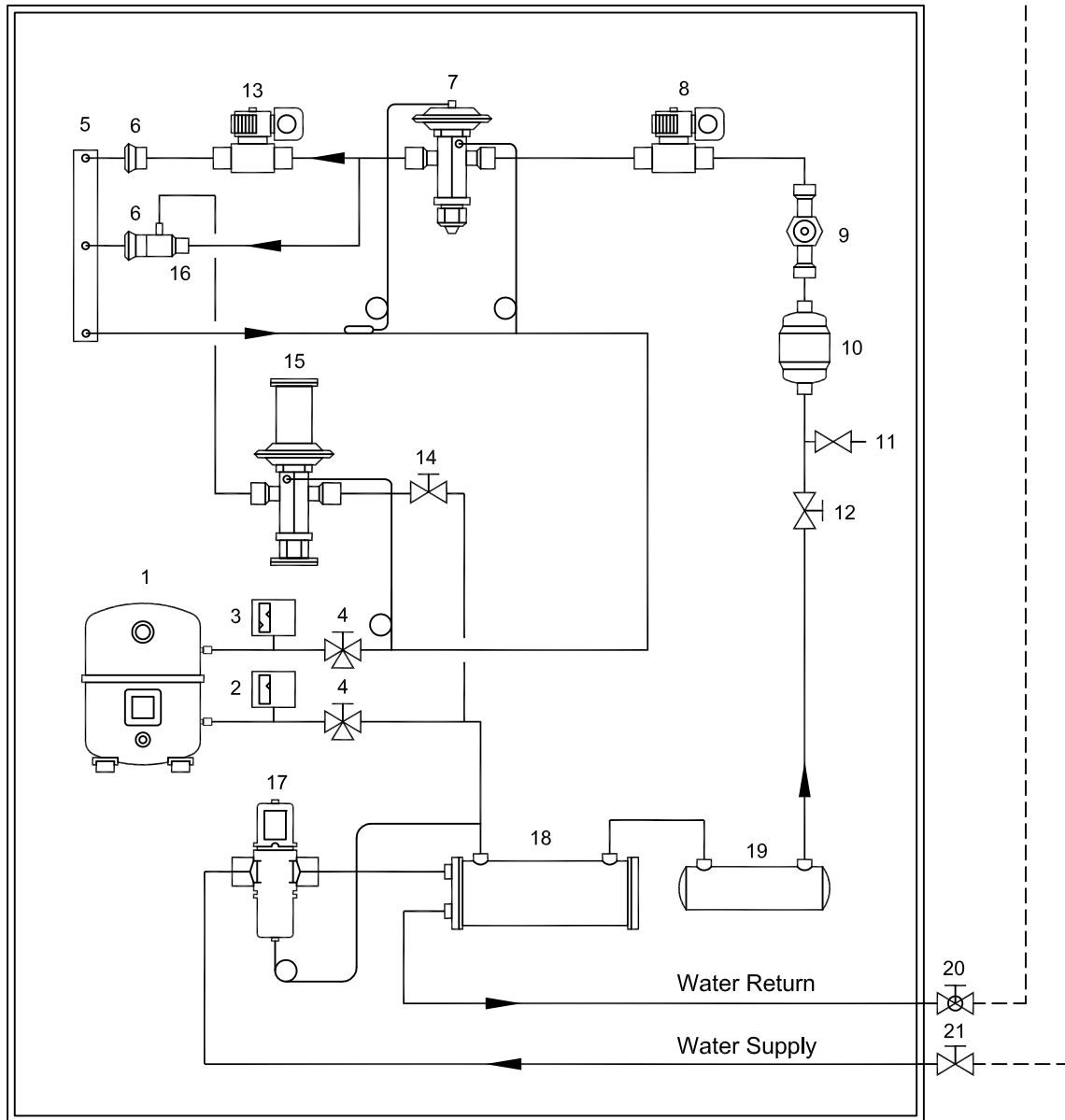


VERTICAL FLOOR MOUNT UNIT

 TO REMOVE
 COOLING
 TOWER/ DRY
 COOLER

COMPONENTS:

- | | | | |
|----|------------------------------|----|--|
| 1 | Compressor | 11 | Access valve |
| 2 | High pressure switch | 12 | Shut off valve |
| 3 | Low pressure switch | 13 | Rapid Dehumidification Solenoid Valve (option if required) |
| 4 | Rotalock valve | 14 | Hotgas bypass manual shut-off valve |
| 5 | Evaporator | 15 | Hotgas bypass valve |
| 6 | Refrigerant distributor | 16 | Side connection distributor |
| 7 | Thermostatic expansion valve | 17 | Water regulating valve (Standard 2-way, optional 3-way) |
| 8 | Liquid line solenoid valve | 18 | Water cooled condenser |
| 9 | Sight glass | 19 | Receiver |
| 10 | Filter- drier | 20 | Globe valve (supplied by others) |
| | | 21 | Gate valve (supplied by others) |