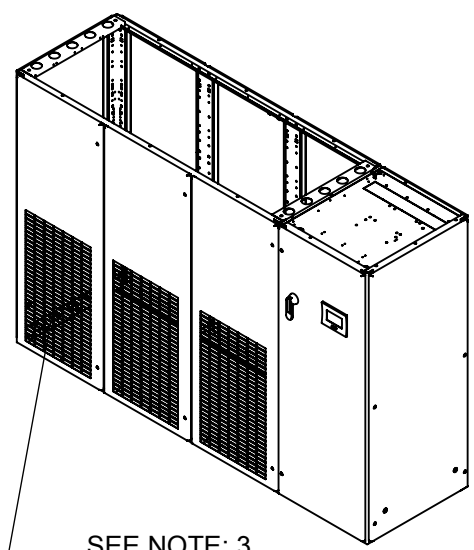
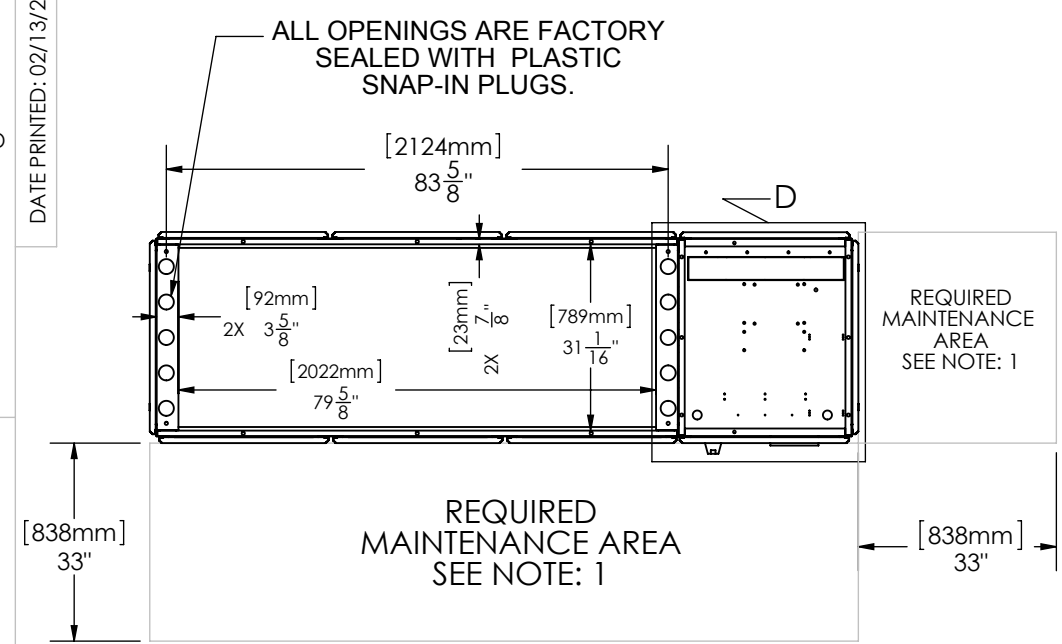


DATE PRINTED: 02/13/2013

REVISIONS			
REV.	DESCRIPTION	DATE	APPROVED
-	-	06/15/2010	CL
-	-	-	-

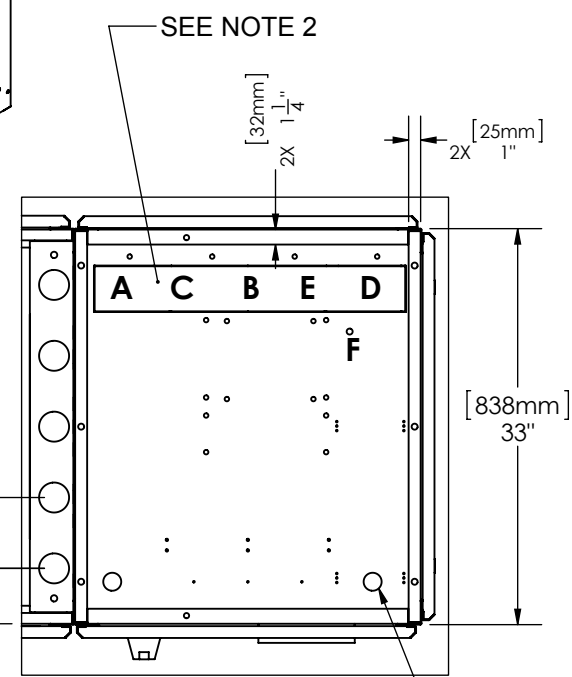


PIPING CONNECTION SIZES

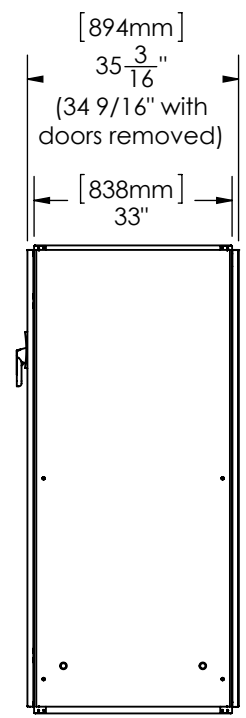
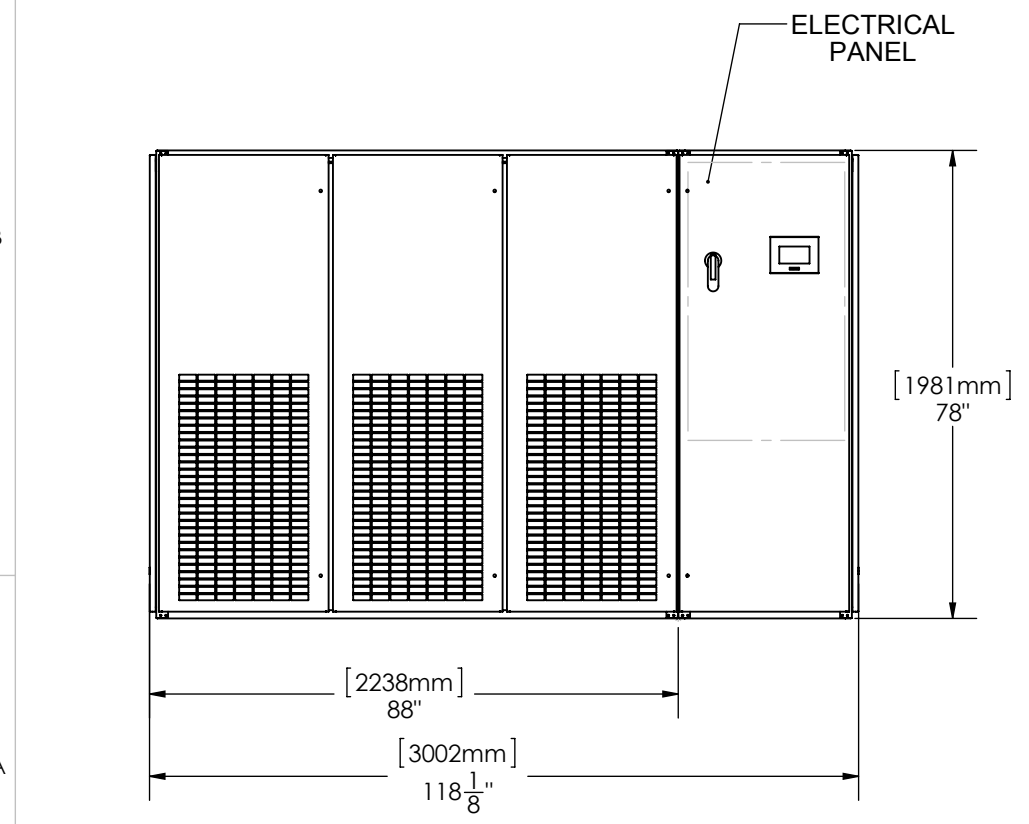
FREE COOLED PFU XXX
A = HOT WATER REHEAT Ø 7/8" - RETURN
B = HOT WATER REHEAT Ø 7/8" - SUPPLY
C = CHILLED WATER Ø 2 1/8" - SUPPLY
D = CONDENSATE DRAIN Ø 3/4"
E = CHILLED WATER Ø 2 1/8" - RETURN
F = HUMIDIFIER WATER SUPPLY Ø 1/4"

NOTES:

- NOTES:**
1. FANS, MOTORS, AND ELECTRICAL PANEL ARE FRONT SERVICEABLE. VALVES, PIPING AND COMPRESSORS ARE SIDE SERVICE.
 2. ALL PIPING THROUGH TOP PIPING HOLES UNLESS SPECIFIED AT TIME OF ORDER. UNUSED HOLES WILL BE FACTORY PLUGGED.
 3. FILTERS. QTY=6x, 25x20x2
 4. ELECTRICAL WIRING THROUGH TOP OR BOTTOM HOLES. ALL ENTRY POINTS MUST BE SEALED BY CONTRACTOR.



ELECTRICAL SEE NOTE: 4
DETAIL D SCALE 1 : 16



UNLESS OTHERWISE SPECIFIED DIMENSIONS ARE IN INCHES
TOLERANCES:
FRACTIONAL ± 1/8
ANGULAR: ± 0.5° BEND ± 2°
DECIMAL
XXX = ±.010
XX = ±.020
X = ±.030
HOLE DIA. +.003/-0.000

	BY	DATE
DRAWN	CL	02.04.2013
CHECKED	MG	02.04.2013
CNC PROGRAM		
FINISH:		
MATERIAL	N/A	THICKNESS N/A

		FINAL ASSEMBLY	P-SERIES, UPFLOW
			PFU076, PFU087
		PART NAME	G-SIZE, PLUS B SUBMITTAL
SIZE	DWG. NO.		
B	SPDU-F-GPB	REV.	SEE TABLE
BD	N/A	K	SCALE: 1:20 SHEET 1 OF 1

CONFIDENTIAL: THE COPYRIGHT OF THIS DOCUMENT IS RESERVED BY CLIMATEWORX. THIS DOCUMENT IS ISSUED ON THE CONDITION THAT IT IS NOT COPIED, REPRODUCED OR DISCLOSED TO ANY OTHER PARTY WITHOUT WRITTEN CONSENT OF CLIMATEWORX.