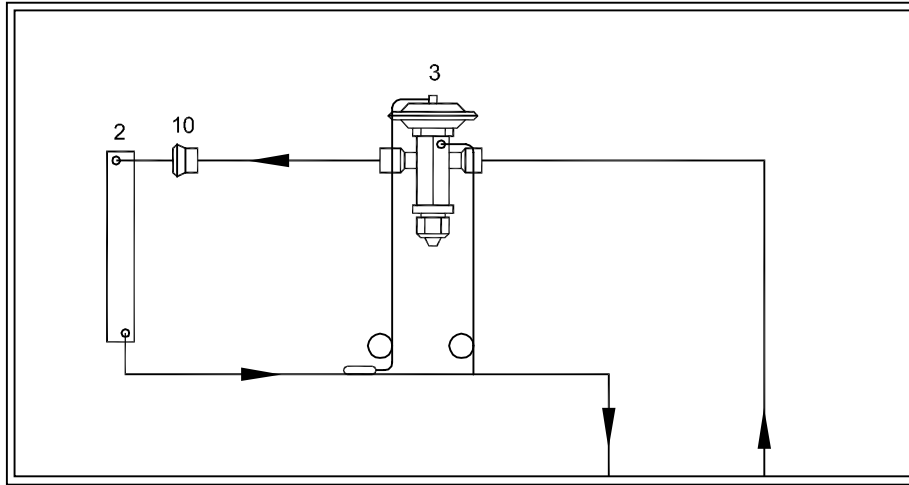
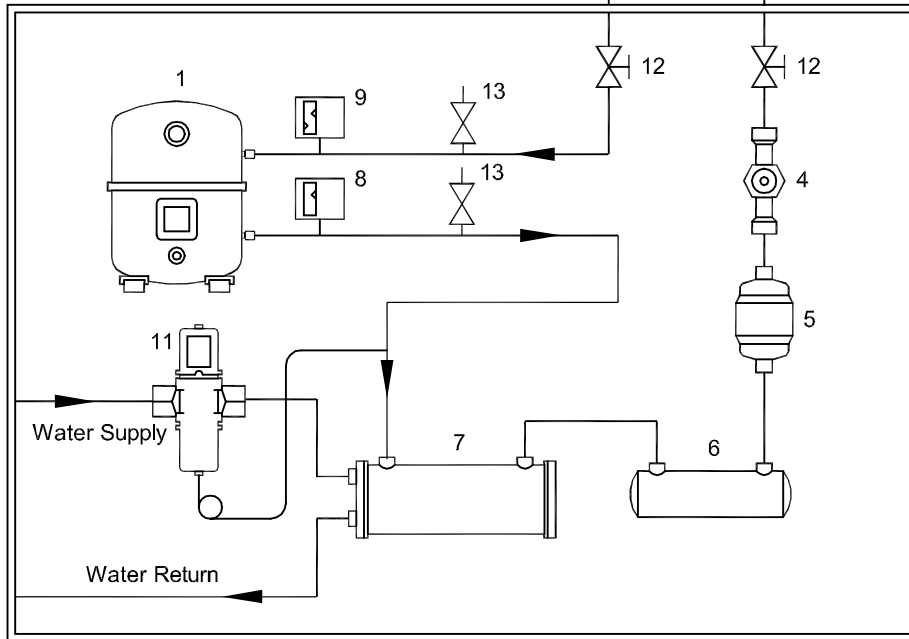


CEILING MOUNTED INDOOR EVAPORATING UNIT

 Field Connection
 

INDOOR CONDENSING UNIT

COMPONENTS

1	Compressor	8	High pressure switch
2	Evaporator coil	9	Low pressure switch
3	Thermostatic expansion valve	10	Refrigerant distributor
4	Sight glass	11	Water regulating valve (Standard 2-way, optional 3-way)
5	Filter-drier	12	Isolation valve
6	Receiver	13	Access valve
7	Water cooled condenser	14	Globe valve (supplied by others)
		15	Gate valve (supplied by others)