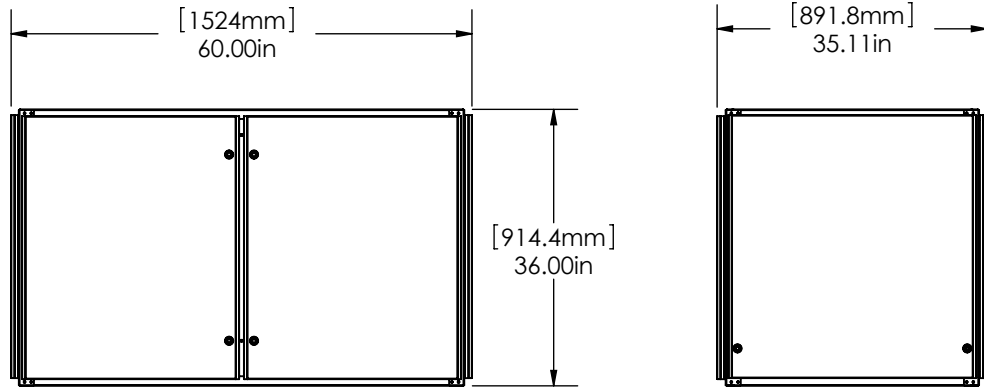
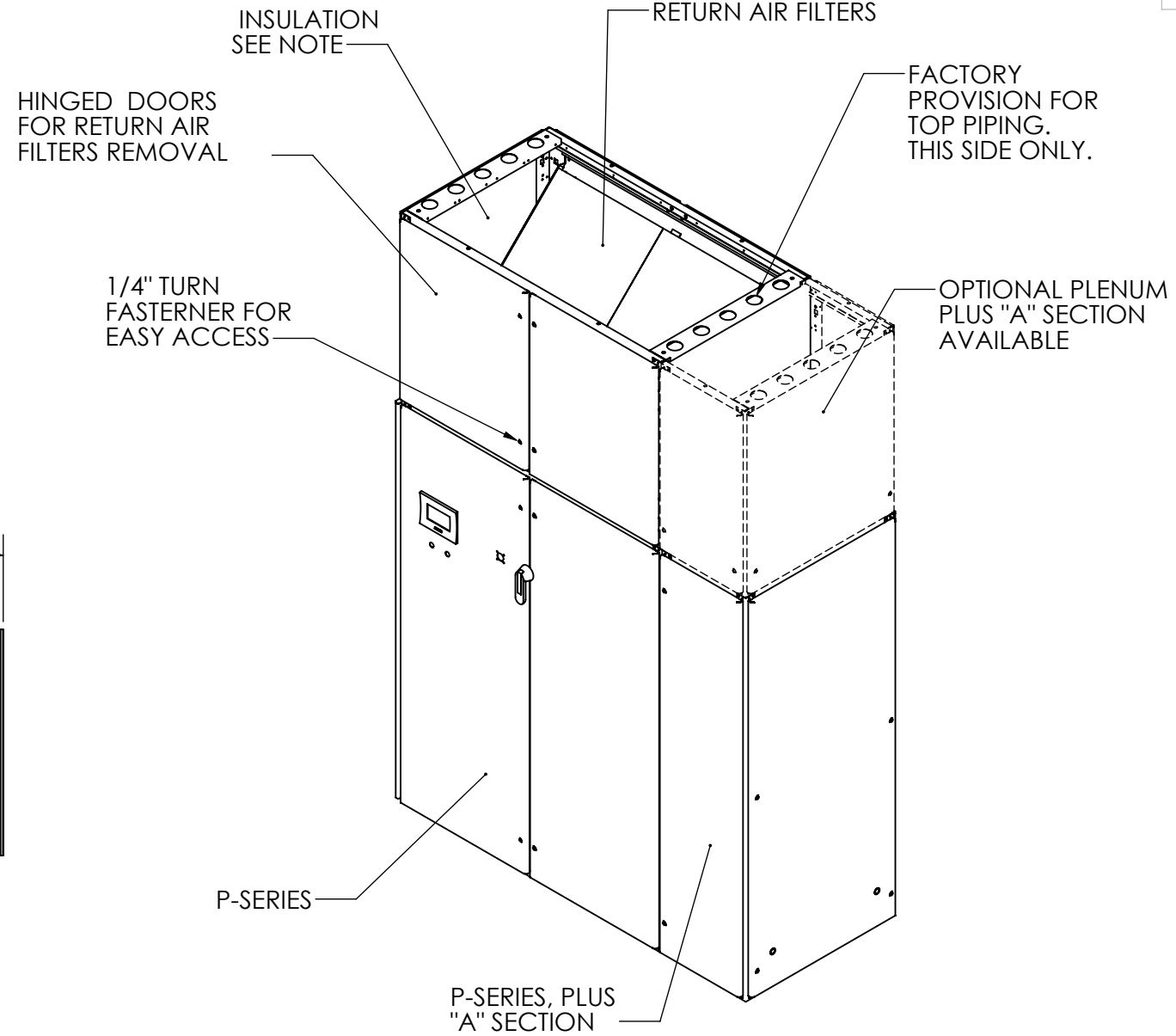
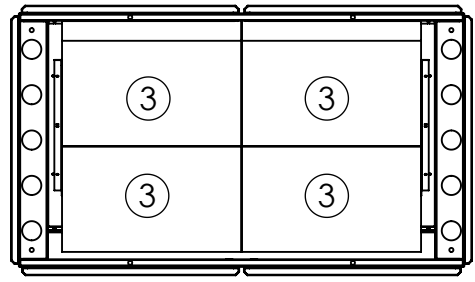


DATE PRINTED: 3/27/2013

REVISIONS			
REV.	DESCRIPTION	DATE	APPROVED
-	-	-	-
-	-	-	-



NOTES:

TABLE OF FILTERS USED

ITEM	FILTER SIZE	QTY
1	16X20X4	-
2	20X20X4	-
3	20X24X4	4
4	20X25X4	-

NOTE:

- 1/4" -UNIFOAM S82N UL-94 HF-1. (OPTIONAL).
- FIBRE INSULATION. NFPA-90A. A MIN 1" THICK, 24 kg/m3 (1 1/2 lb/ft3) DENSITY FIBRE INSULATION.

NOTE: OTHER FILTER ARRANGEMENTS ARE AVAILABLE ON REQUEST.

CONFIDENTIAL: THE COPYRIGHT OF THIS DOCUMENT IS RESERVED BY CLIMATEWORX. THIS DOCUMENT IS ISSUED ON THE CONDITION THAT IT IS NOT COPIED, REPRODUCED OR DISCLOSED TO ANY OTHER PARTY WITHOUT WRITTEN CONSENT OF CLIMATEWORX.

UNLESS OTHERWISE SPECIFIED
DIMENSIONS ARE IN INCHES
TOLERANCES:
FRACTIONAL ± 1/8
ANGULAR: ± 0.5° BEND ± 2°
DECIMAL
XXX = ± .010
XX = ± .020
X = ± .030
HOLE DIA. +.003/- .000

THIRD ANGLE PROJECTION



	BY	DATE
DRAWN	IZ	11/06/2009
CHECKED	GN	11/06/2009
CNC PROGRAM		

FINISH:	TEXTURED POWDERCOAT	
MATERIAL	N/A	THICKNESS N/A



FINAL ASSEMBLY		DOWNFLOW DISCHARGE PLENUM	
		SPDP-EP	
PART NAME		SPDP-EP	
SIZE	DWG. NO.		
B	SPDP-EP	REV. SEE TABLE	
BD	N/A	K	SCALE: 1:20 SHEET 1 OF 1