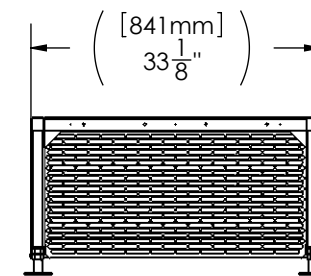
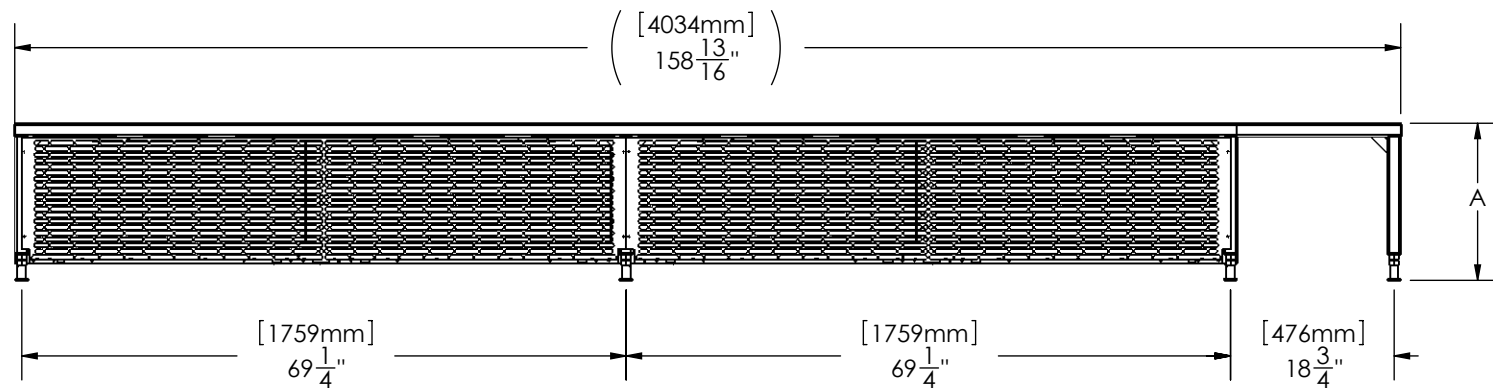
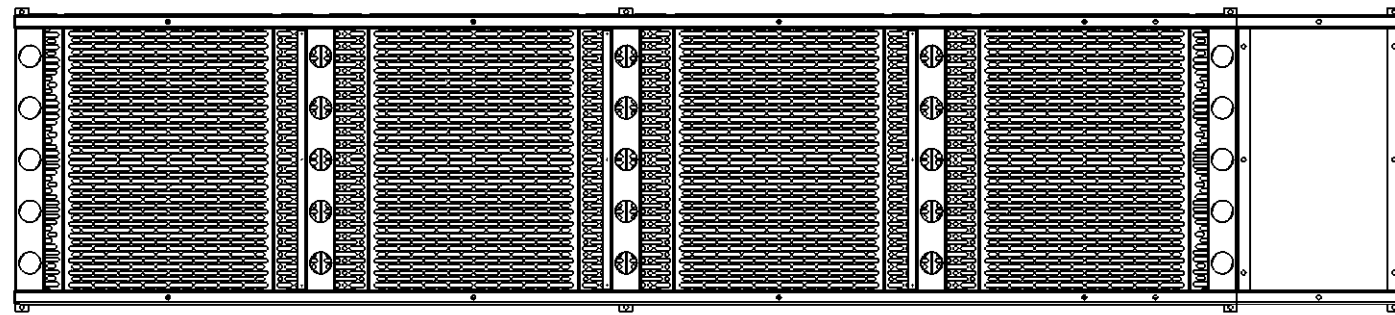
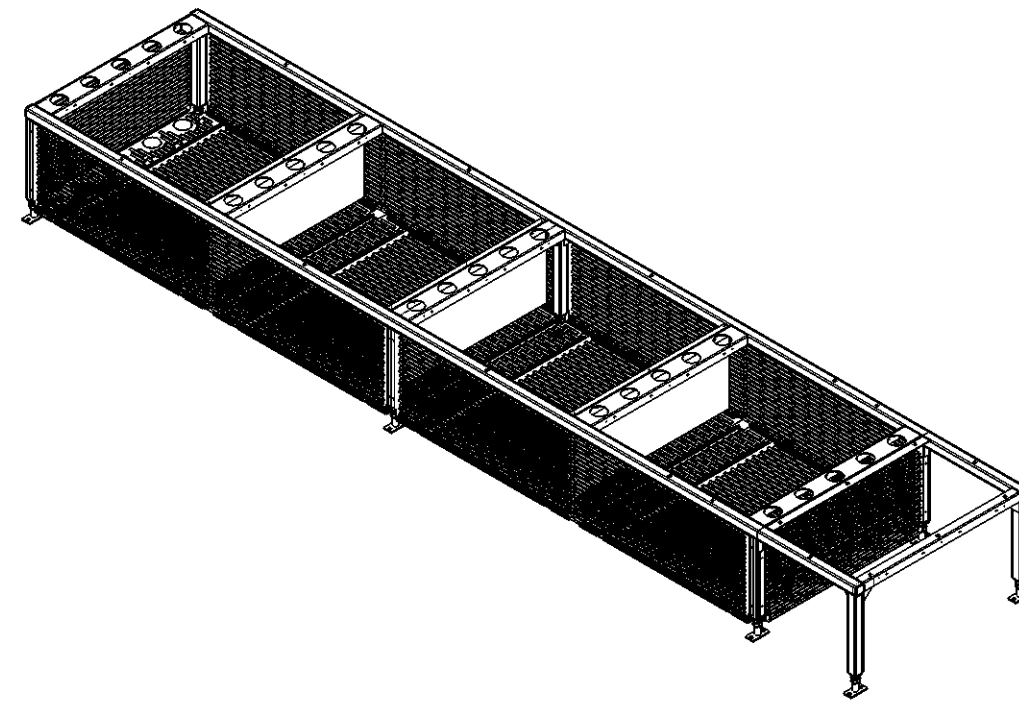


DATE PRINTED: 3/28/2013

REVISIONS			
REV.	DESCRIPTION	DATE	APPROVED
-	-	-	-
-	-	-	-



NOTES:

UNLESS OTHERWISE SPECIFIED  
DIMENSIONS ARE IN INCHES  
TOLERANCES:  
FRACTIONAL ± 1/8  
ANGULAR: ± 0.5° BEND ± 2°  
DECIMAL  
XXX = ±.010  
XX = ±.020  
X = ±.030  
HOLE DIA. +.003/-0.000

THIRD ANGLE PROJECTION

	BY	DATE
DRAWN	I.Z.	02/09/2010
CHECKED	P.S.	02/09/2010
CNC PROGRAM		
FINISH:	NONE	
MATERIAL	N/A	THICKNESS N/A



FINAL ASSEMBLY  
FLOOR STAND, STANDARD COOLING, 12'-24",  
147 TO 153 KW, WITH OSHA GUARD

PART NAME SPDF-O-KA

SIZE DWG. NO. SPDF-O-KA REV. SEE TABLE

BD N/A K SCALE: 1:20 SHEET 1 OF 1

A (HEIGHT)	ASSEMBLY PART NUMBER	FLOOR STAND PART NUMBER (ITEM 1)	FLOOR STAND, PLUS A, PART NUMBER (ITEM 2)
18"	580-120-0032-18	580-120-0019-18	780-100-0078
24"	580-120-0032-24	580-120-0019-24	780-100-0088

**CONFIDENTIAL:** THE COPYRIGHT OF THIS DOCUMENT IS RESERVED BY CLIMATEWORX. THIS DOCUMENT IS ISSUED ON THE CONDITION THAT IT IS NOT COPIED, REPRODUCED OR DISCLOSED TO ANY OTHER PARTY WITHOUT WRITTEN CONSENT OF CLIMATEWORX.