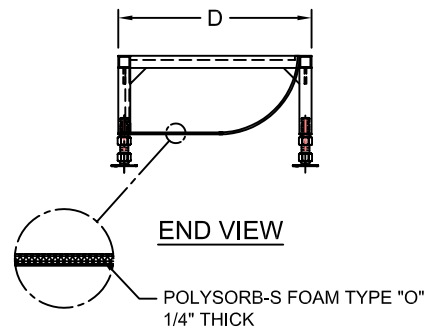
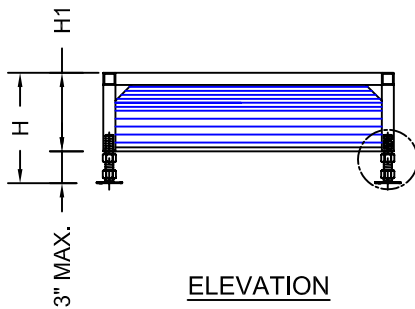


| ITEM | MATERIAL & COMPONENT |
|------|--|
| 1 | 1.500" Mild Steel Square Tube |
| 2 | 3/4" Heavy Semi-finished Hex Nut (Coarse thread) |
| 3 | Adjustable Pedestal (P/N: 9C401) - Qty: 4 |



NOTE: H - TOTAL HEIGHT OF FLOOR STAND (ADJUSTABLE TO $\pm 1.000"$)
H1 - HEIGHT OF FLOOR STAND w/o ADJUSTABLE PEDESTAL

| ITEM NO. | DESCRIPTION | A | D | H | H1 | X1 | X2 |
|----------|------------------------|---------|---------|----------------|----------|--------|---------|
| 6S652 | FLOOR STAND - Series 6 | 36.024" | 23.968" | H $\pm 1.000"$ | H-3.000" | 8.000" | 20.024" |

MATERIAL: FRAME - 1.50" MILD STEEL SQUARE TUBE

FINISH: PAINTED - POWDERED COATED - BLACK