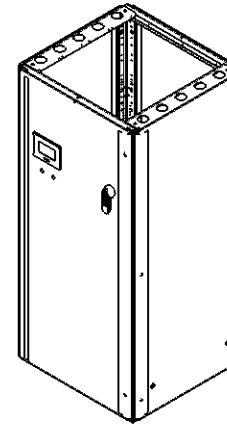
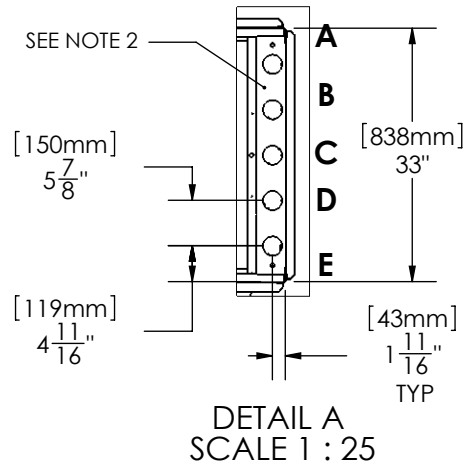
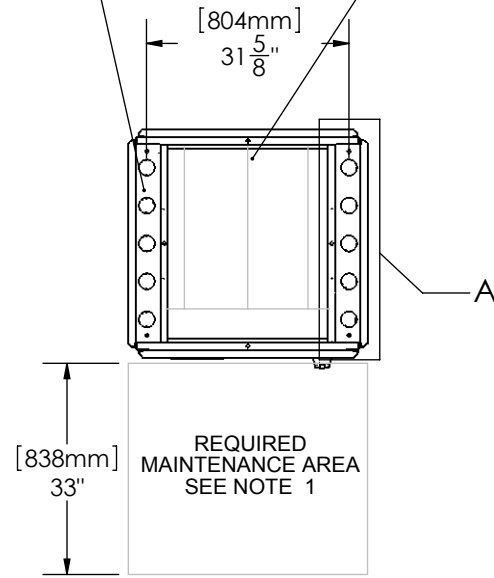


DATE PRINTED: 3/28/2013

ALL OPENINGS FACTORY SEALED WITH PLASTIC SNAP-IN PLUGS.

SEE NOTE 3 FOR FILTER INFORMATION



PIPING CONNECTION SIZES

SINGLE CIRCUIT CHILLED WATER PCD XXX	
A	HOT WATER REHEAT Ø 7/8" - RETURN
B	HOT WATER REHEAT Ø 7/8" - SUPPLY
C	CHILLED WATER Ø 1 1/8" - SUPPLY
D	CONDENSATE DRAIN Ø 3/4"
E	CHILLED WATER Ø 1 1/8" - RETURN

DUAL CIRCUIT CHILLED WATER PJD XXX	
A	CHILLED WATER B Ø 1 1/8" - RETURN
B	CHILLED WATER B Ø 1 1/8" - SUPPLY
C	CHILLED WATER A Ø 1 1/8" - SUPPLY
D	CONDENSATE DRAIN Ø 3/4"
E	CHILLED WATER A Ø 1 1/8" - RETURN

NOTES:

NOTES:

- FANS, MOTORS, VALVES AND ELECTRICAL PANEL ARE FRONT SERVICEABLE.
- ALL PIPING THROUGH BOTTOM PIPING HOLES UNLESS SPECIFIED AT TIME OF ORDER. UNUSED HOLES WILL BE FACTORY PLUGGED.
- IF NO RETURN AIR PLENUM FILTER BOX IS ORDERED, INTERNAL FILTER BOX SET WILL BE SUPPLIED. FILTER SIZE 20"X25", QUANTITY 2. (FILTER SIZE AND QUANTITY FOR INTERNAL FILTER BOX ONLY SEE R/A PLENUM DRAWING FOR OTHER SIZES). SEE MAINTENANCE AREA REQUIRED.
- ELECTRICAL WIRING THROUGH TOP OR BOTTOM HOLES. ALL ENTRY POINTS MUST BE SEALED BY CONTRACTOR.
- FANS AVAILABLE IN UPPER OR LOWERED POSITION. PLEASE SPECIFY WHEN ORDERED. FANS LOWERED INTO THE FLOOR WILL SHIP IN THE RAISED POSITION. SEE FACTORY LOWERING INSTRUCTIONS.
- AUTO TRANSFER SWITCH INDICATOR LIGHTS OPTIONAL.

UNLESS OTHERWISE SPECIFIED DIMENSIONS ARE IN INCHES
 TOLERANCES:
 FRACTIONAL ± 1/8
 ANGULAR: ± 0.5° BEND ±2°
 DECIMAL
 XXX = ±.010
 XX = ±.020
 X = ±.030
 HOLE DIA. +.003/-0.000

THIRD ANGLE PROJECTION

	BY	DATE
DRAWN	IZ	11/06/2009
CHECKED	GN	11/06/2009
CNC PROGRAM		
FINISH:	TEXTURED POWDERCOAT	
MATERIAL	N/A	THICKNESS N/A



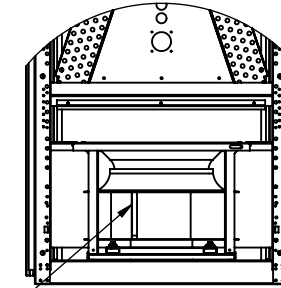
FINAL ASSEMBLY
 P SERIES, DOWNFLOW

PART NAME
 C SIZE, SUBMITTAL

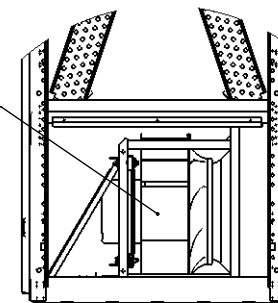
SIZE DWG. NO.
B SPDD-CP

REV. SEE TABLE
 BD N/A K SCALE: 1:20 SHEET 1 OF 1

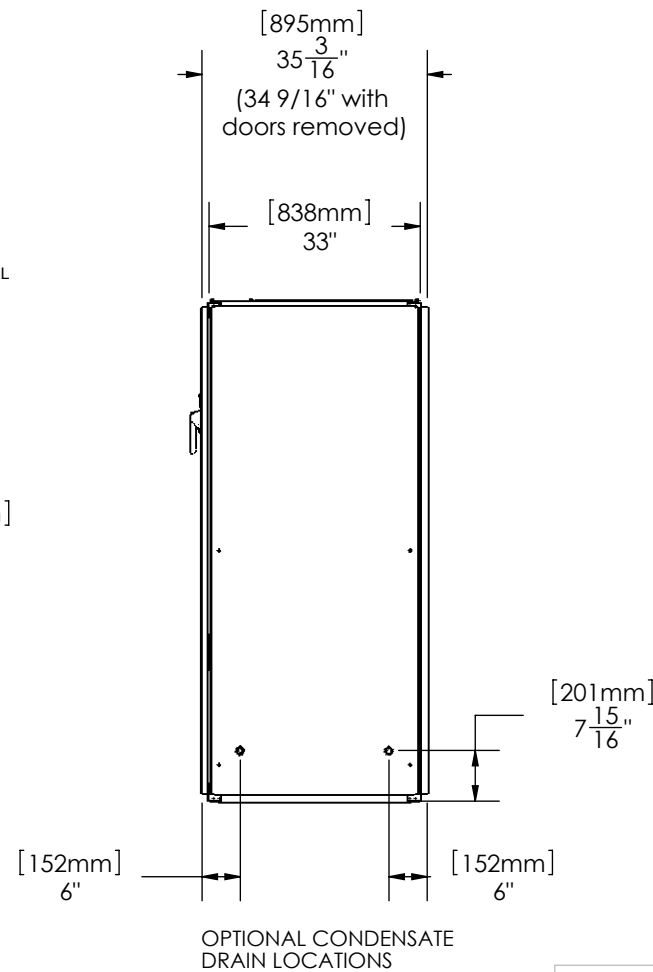
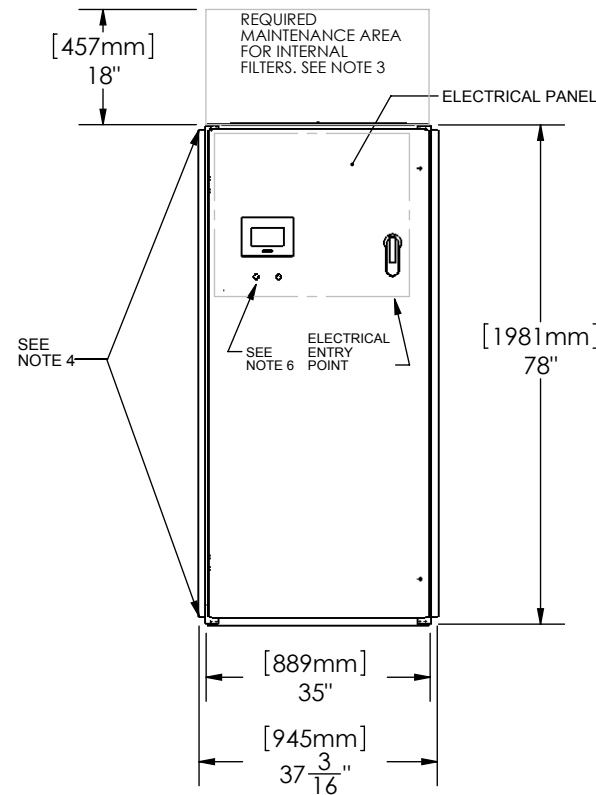
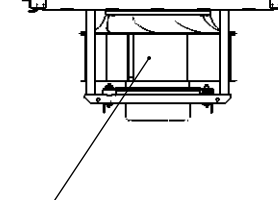
FANS IN RAISED WORKING POSITION (SHIPPING POSITION)



FANS IN SHIPPING POSITION SEE NOTE 5



FANS IN LOWERED WORKING POSITION (OPTIONAL)



CONFIDENTIAL: THE COPYRIGHT OF THIS DOCUMENT IS RESERVED BY CLIMATEWORX. THIS DOCUMENT IS ISSUED ON THE CONDITION THAT IT IS NOT COPIED, REPRODUCED OR DISCLOSED TO ANY OTHER PARTY WITHOUT WRITTEN CONSENT OF CLIMATEWORX.