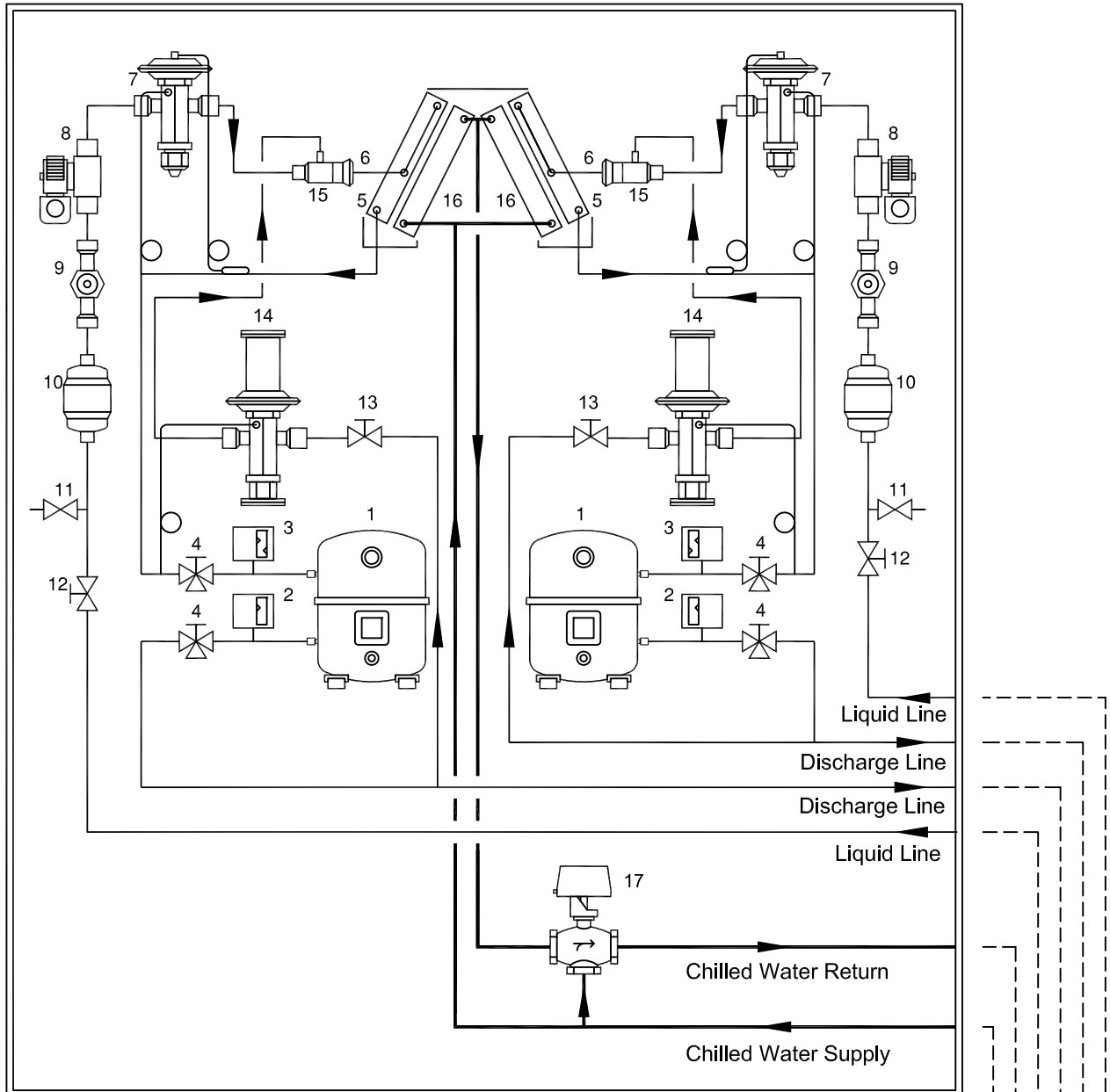


VERTICAL FLOOR MOUNT UNIT

COMPONENTS:

- | | | | |
|----|--------------------------------------|----|---|
| 1 | Compressor | 17 | 3-way modulating valve (optional 2-way valve) |
| 2 | High pressure switch | 18 | Gate valve (Supplied by others) |
| 3 | Low pressure switch | 19 | Globe valve (Supplied by others) |
| 4 | Rotalock valve | | |
| 5 | Evaporator | | |
| 6 | Refrigerant distributor | | |
| 7 | Thermostatic expansion valve | | |
| 8 | Liquid line solenoid valve | | |
| 9 | Sight glass | | |
| 10 | Filter- drier | | |
| 11 | Access valve | | |
| 12 | Shut off valve | | |
| 13 | Hot Gas Bypass Manual Shut-off Valve | | |
| 14 | Hotgas bypass valve | | |
| 15 | Side connection distributor | | |
| 16 | Chilled water cooling coil | | |

