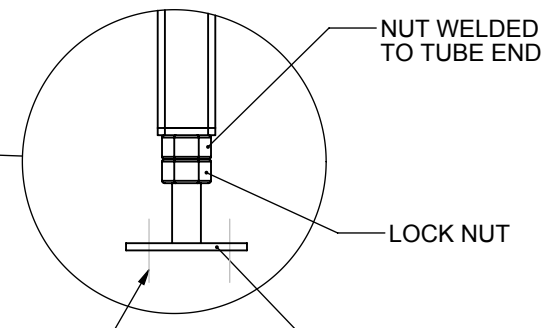
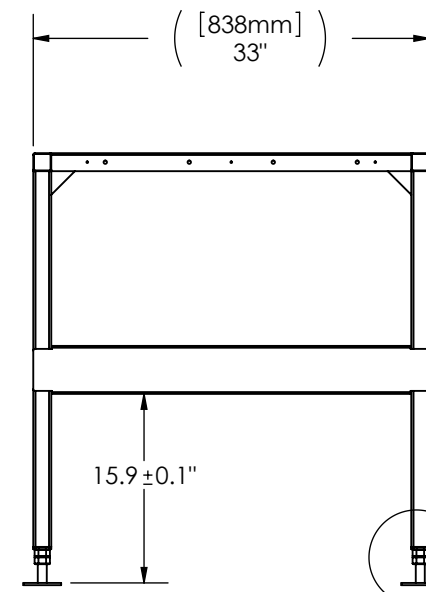
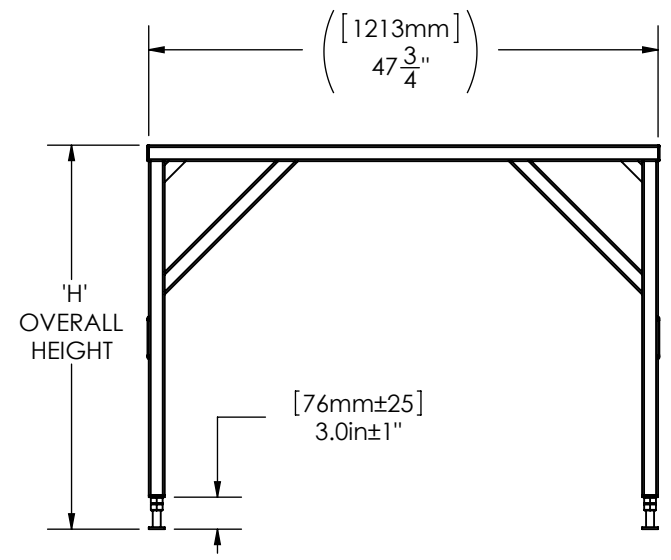
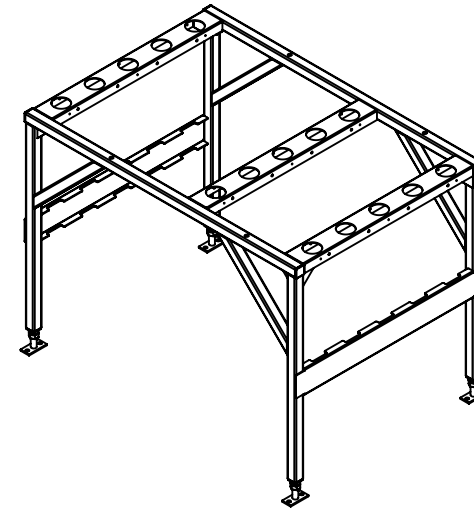
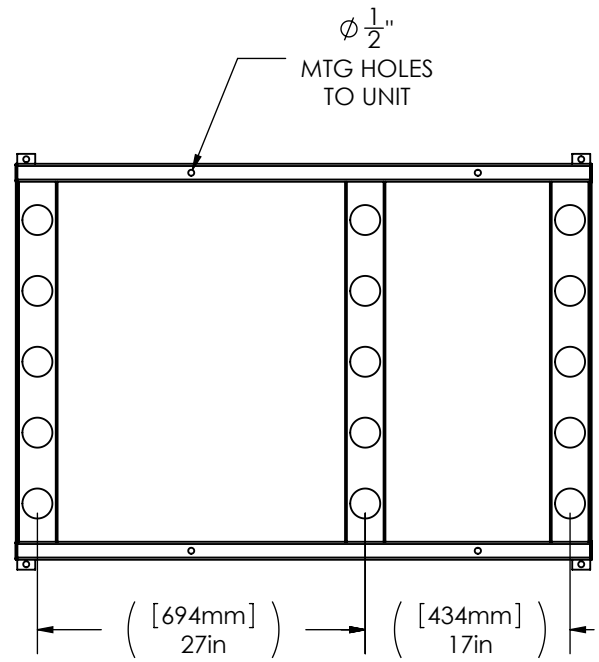


DATE PRINTED: 4/9/2013

REVISIONS			
REV.	DESCRIPTION	DATE	APPROVED
-	-	-	-
-	-	-	-



NOTES:

**NOTES:**  
 FLOORSTAND MATERIAL:  
 STRUCTURAL STEEL TUBE 1.5"x1.5"x1/8" WALL THICKNESS  
 FLOORSTAND FINISH:  
 BLACK SMOOTH POWDERCOAT  
 OVERALL HEIGHT:  
 MODEL AS SHOWN, SEE TABLE. OTHER HEIGHTS MAY NOT BE AS SHOWN AND MAY BE ON A DIFFERENT DRAWING. HEIGHTS NOT LISTED AVAILABLE ON REQUEST.

OVERALL HEIGHT "H"	PART NUMBER
36"	780-100-0101

UNLESS OTHERWISE SPECIFIED DIMENSIONS ARE IN INCHES  
 TOLERANCES:  
 FRACTIONAL ± 1/8  
 ANGULAR: ± 0.5° BEND ± 2°  
 DECIMAL  
 XXX = ±.010  
 XX = ±.020  
 X = ±.030  
 HOLE DIA. +.003/-0.000

		BY	DATE
DRAWN	PS	08/31/2009	
CHECKED	IZ	08/31/2009	
CNC PROGRAM			
---			
---			
---			
FINISH:	BLACK SMOOTH POWDERCOAT		
MATERIAL	N/A	THICKNESS	N/A

		FINAL ASSEMBLY	
		FLOOR STAND 36"	
		SUBMITTAL DRAWING	
PART NAME		SEE TABLE	
SIZE	DWG. NO.	REV.	
B	SPDF-DP-36	SEE TABLE	
BD	N/A	K	SCALE: 1:20 SHEET 1 OF 1

**CONFIDENTIAL:** THE COPYRIGHT OF THIS DOCUMENT IS RESERVED BY CLIMATEWORX. THIS DOCUMENT IS ISSUED ON THE CONDITION THAT IT IS NOT COPIED, REPRODUCED OR DISCLOSED TO ANY OTHER PARTY WITHOUT WRITTEN CONSENT OF CLIMATEWORX.

