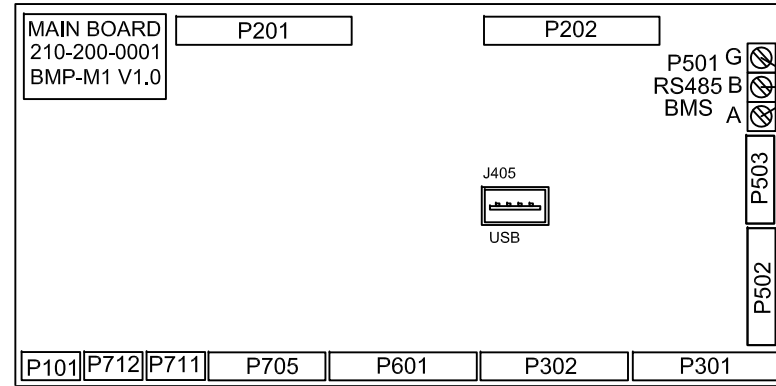
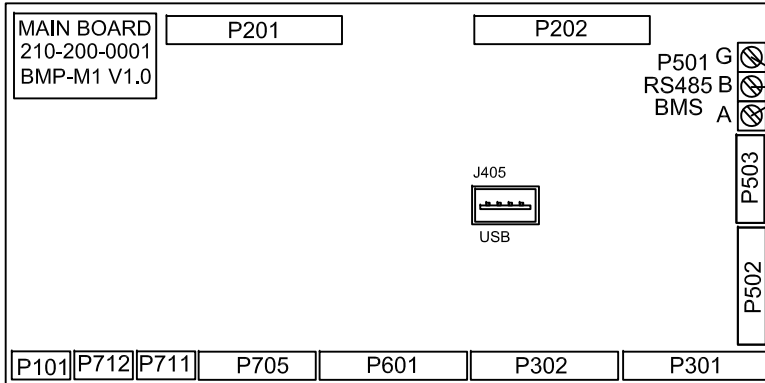


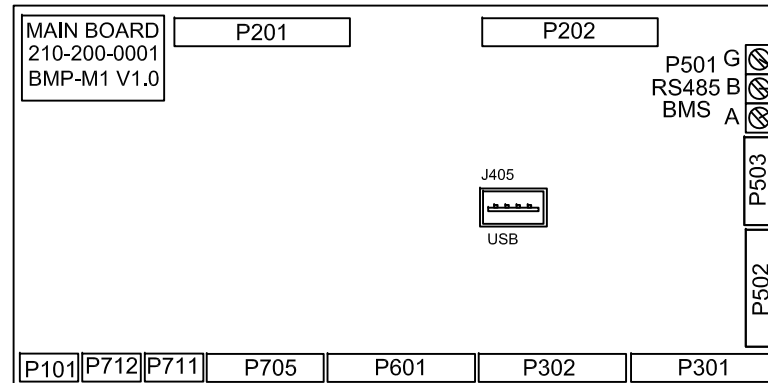
CRAC 1



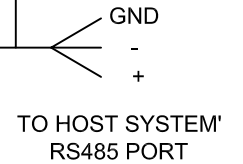
CRAC 3



CRAC 2



CRAC 4



NOTE: TWISTED PAIR CABLE SHOULD BE 24 AWG OR LARGER CONDUCTOR