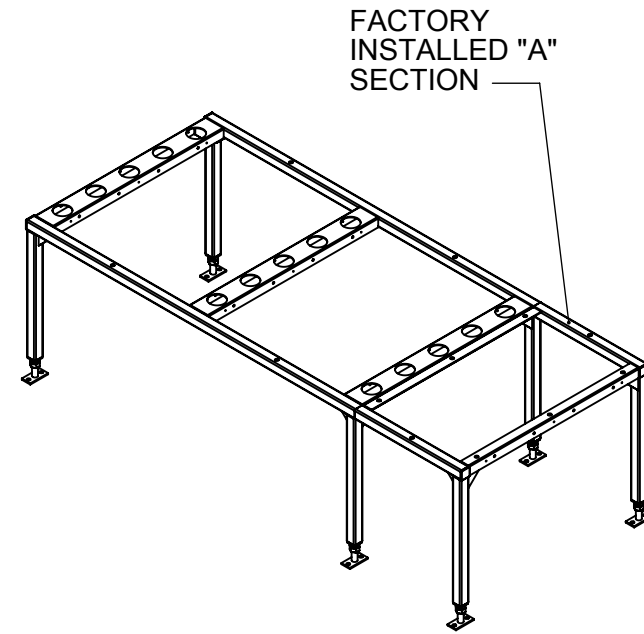
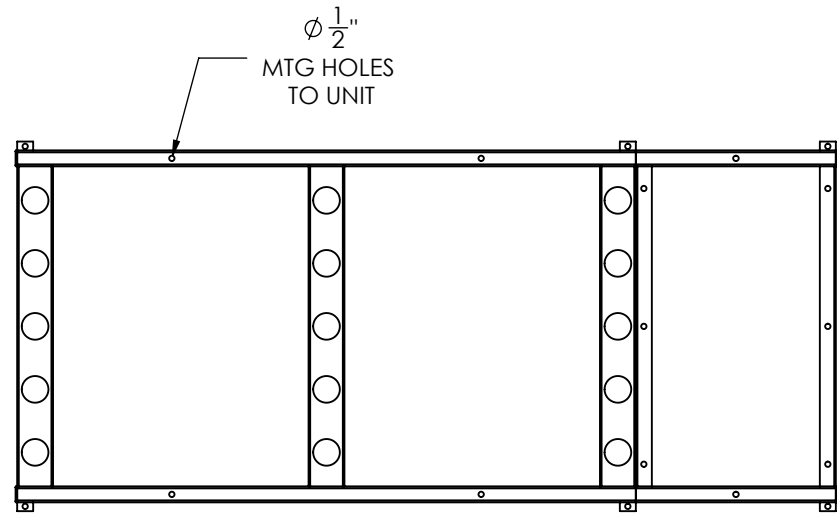
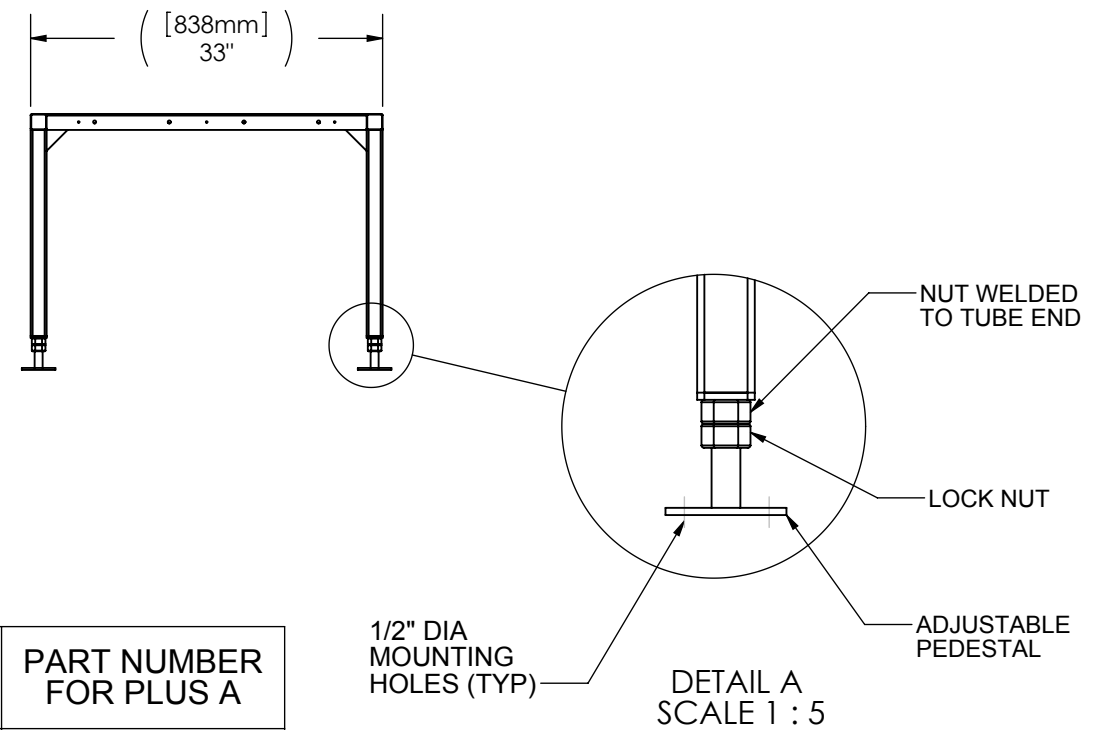
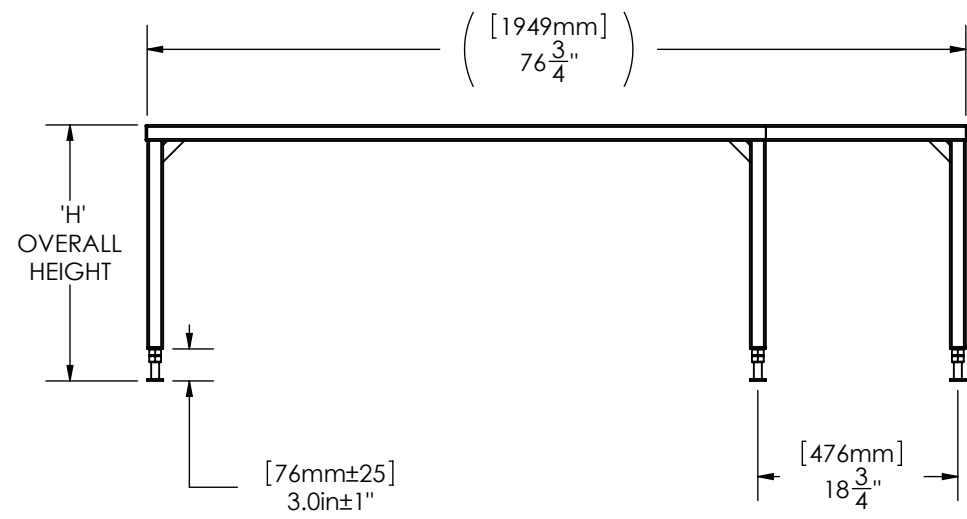


DATE PRINTED: 4/9/2013

REVISIONS			
REV.	DESCRIPTION	DATE	APPROVED
-	-	-	-
-	-	-	-



NOTES:



NOTES:
 FLOORSTAND MATERIAL:
 STRUCTURAL STEEL TUBE 1.5"x1.5"x1/8" WALL THICKNESS

 FLOORSTAND FINISH:
 BLACK SMOOTH POWDERCOAT

 OVERALL HEIGHT:
 MODEL AS SHOWN, SEE TABLE. OTHER HEIGHTS MAY NOT BE AS SHOWN AND MAY BE ON A DIFFERENT DRAWING.
 HEIGHTS NOT LISTED AVAILABLE ON REQUEST.

OVERALL HEIGHT "H"	PART NUMBER	PART NUMBER FOR PLUS A
12"	780-100-0072	780-100-0068
18"	780-100-0082	780-100-0078
24"	780-100-0092	780-100-0088

UNLESS OTHERWISE SPECIFIED DIMENSIONS ARE IN INCHES
 TOLERANCES:
 FRACTIONAL ± 1/8
 ANGULAR: ± 0.5° BEND ±2°
 DECIMAL
 XXX = ±.010
 XX = ±.020
 X = ±.030
 HOLE DIA. +.003/-0.000

BY		DATE
DRAWN	I.Z.	11/06/2009
CHECKED	G.N.	11/06/2009
CNC PROGRAM		

FINISH:	BLACK SMOOTH POWDERCOAT	
MATERIAL	N/A	THICKNESS N/A

FINAL ASSEMBLY: FLOOR STAND, 12", 18", 24", PLUS A
 SUBMITTAL DRAWING
 PART NAME: SEE TABLE
 SIZE: B DWG. NO.: SPDF-EPA
 REV.: SEE TABLE
 SCALE: 1:18 SHEET 1 OF 1

CONFIDENTIAL: THE COPYRIGHT OF THIS DOCUMENT IS RESERVED BY CLIMATEWORX. THIS DOCUMENT IS ISSUED ON THE CONDITION THAT IT IS NOT COPIED, REPRODUCED OR DISCLOSED TO ANY OTHER PARTY WITHOUT WRITTEN CONSENT OF CLIMATEWORX.

