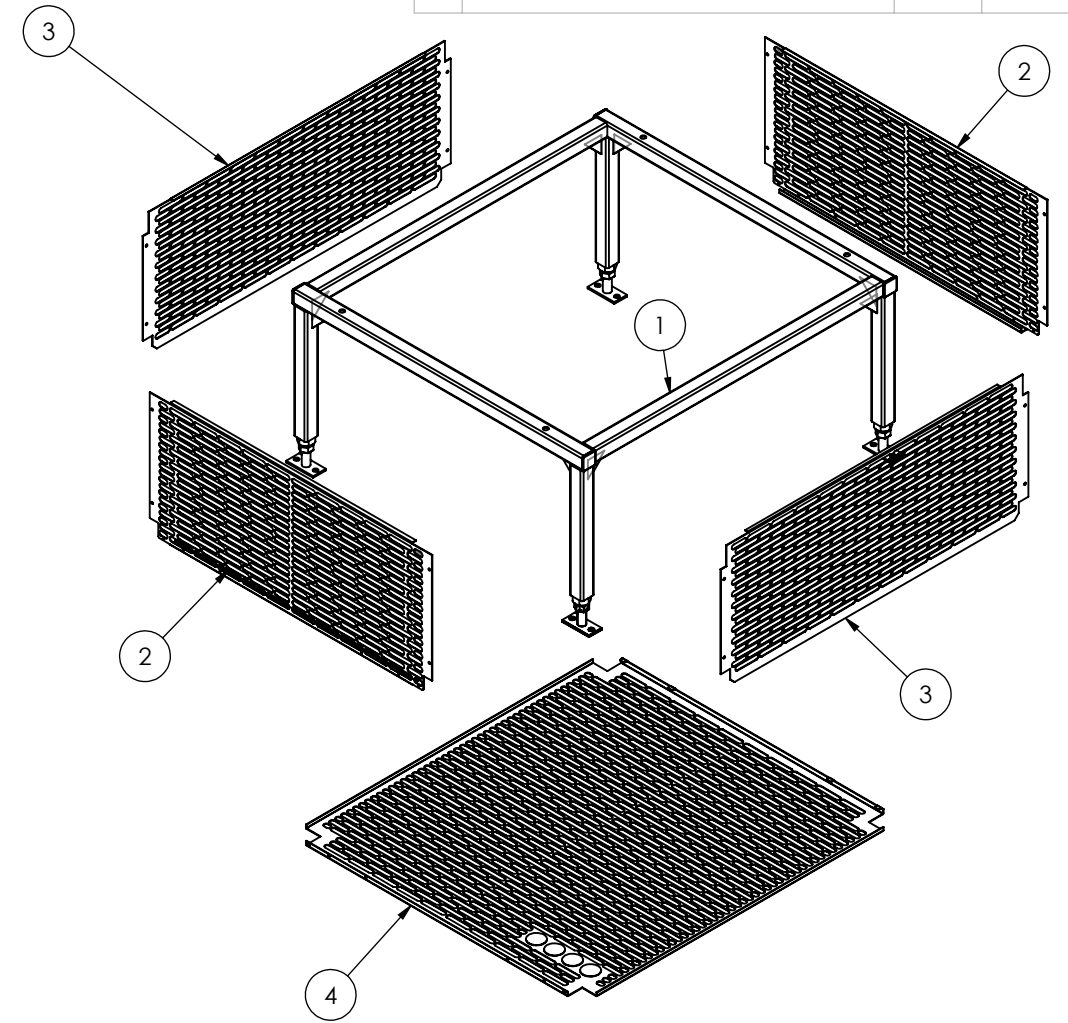
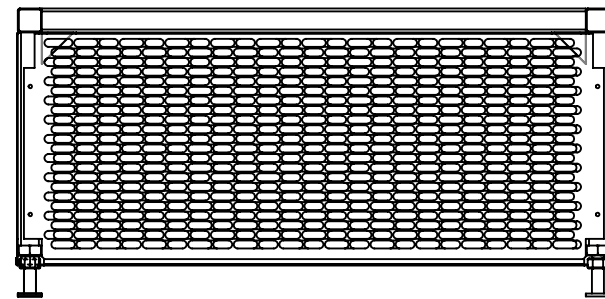
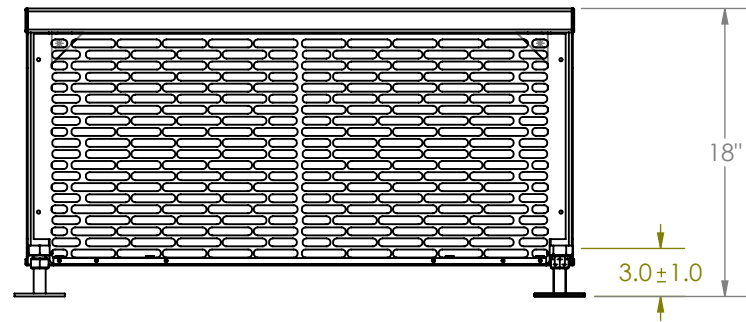
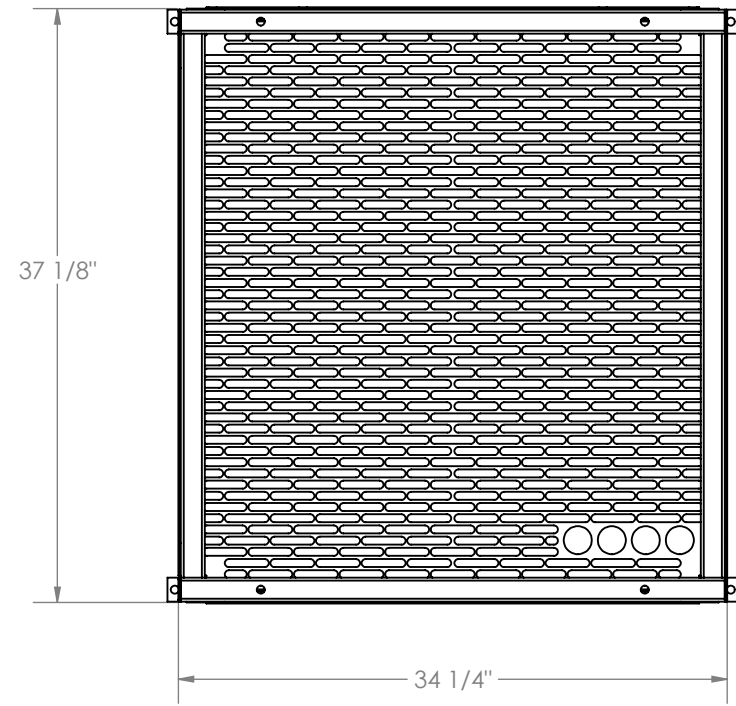


DATE PRINTED: 2016-12-12



| REVISIONS |  |            |          |
|-----------|--|------------|----------|
| REV.      | DESCRIPTION                                  | DATE       | APPROVED |
| A         | BOTTOM GUARD CHANGED FROM 3 PIECE TO 1 PIECE | 03.07.2013 | MG       |
| -         | -  | -          | -        |

| ITEM NO. | PART NUMBER     | DESCRIPTION                         | QTY. |
|----------|-----------------|-------------------------------------|------|
| 1        | 780-100-0258    | FLOORSTAND, 18", PS6                | 1    |
| 2        | 110-100-2510    | PANEL, FRONT, OSHA GUARDS, PS6      | 2    |
| 3        | 110-100-2511    | PANEL,SIDE, OSHA GUARD, PS6         | 2    |
| 4        | 110-100-2512    | PANEL, BOTTOM, OSHA GUARDS, PS6     | 1    |
| 5        | CAN-506         | FLOORSTAND FOOT                     | 4    |
| 6        | 0.75-10_HEX_NUT | Nut 3/4"-10 Coarse Thread Heavy Hex | 4    |

|  |             |    |      |            |                                    |                |                |            |
|--|-------------|----|------|------------|------------------------------------|----------------|----------------|------------|
| UNLESS OTHERWISE SPECIFIED<br>DIMENSIONS ARE IN INCHES<br>TOLERANCES:<br>FRACTIONAL ±<br>ANGULAR: MACH ± BEND ±2°<br>DECIMAL<br>XXX = ±.010<br>XX = ±.020<br>X = ±.030<br>HOLE DIA. +.003/-0.000 | BY          | MG | DATE | 01.21.2013 |                                    |                |                |            |
|  | CHECKED     | CL | DATE | 01.21.2013 |                                    |                |                |            |
|  | CNC PROGRAM |    |      |            | CUSTOMER                           | CLIMATEWORX    |                |            |
|  |             |    |      |            |                                    | FINAL ASSEMBLY | 580-500-0001   |            |
|  |             |    |      |            | 18" PS6 FLOORSTAND WITH OSHA GUARD |                |                |            |
|  |             |    |      |            | PART NAME                          | 580-500-0001   |                |            |
|  |             |    |      |            | SIZE                               | DWG. NO.       | SPS6DF-O-18    |            |
|  |             |    |      |            | FINISH:                            | BLACK          | REV. SEE TABLE |            |
|  |             |    |      |            | MATERIAL                           | N/A            | THICKNESS      | N/A        |
|  |             |    |      |            | BD                                 | -              | K              | SCALE:1:12 |
|  |             |    |      |            | SHEET 1 OF 1                       |                |                |            |

IN FOLDER V:\CANATAL\580 Series BMP Drawings\

**BMP METALS INC. CONFIDENTIAL:** THE COPYRIGHT OF THIS DOCUMENT IS RESERVED BY BMP METALS INC.. THIS DOCUMENT IS ISSUED ON THE CONDITION THAT IT IS NOT COPIED, REPRODUCED OR DISCLOSED TO ANY OTHER PARTY WITHOUT WRITTEN CONSENT OF BMP METALS INC.

THIRD ANGLE PROJECTION