

DATE PRINTED: 3/27/2013

REVISIONS			
REV.	DESCRIPTION	DATE	APPROVED
-	-	-	-
-	-	-	-

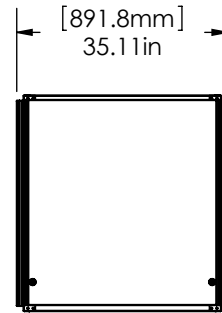
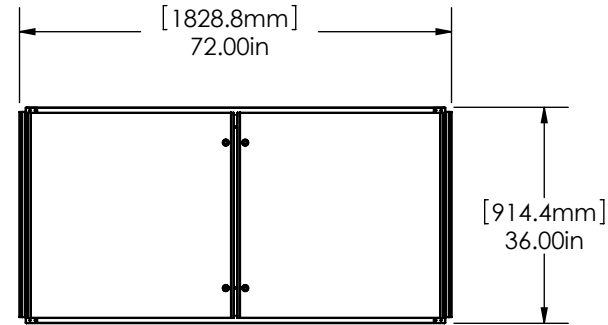
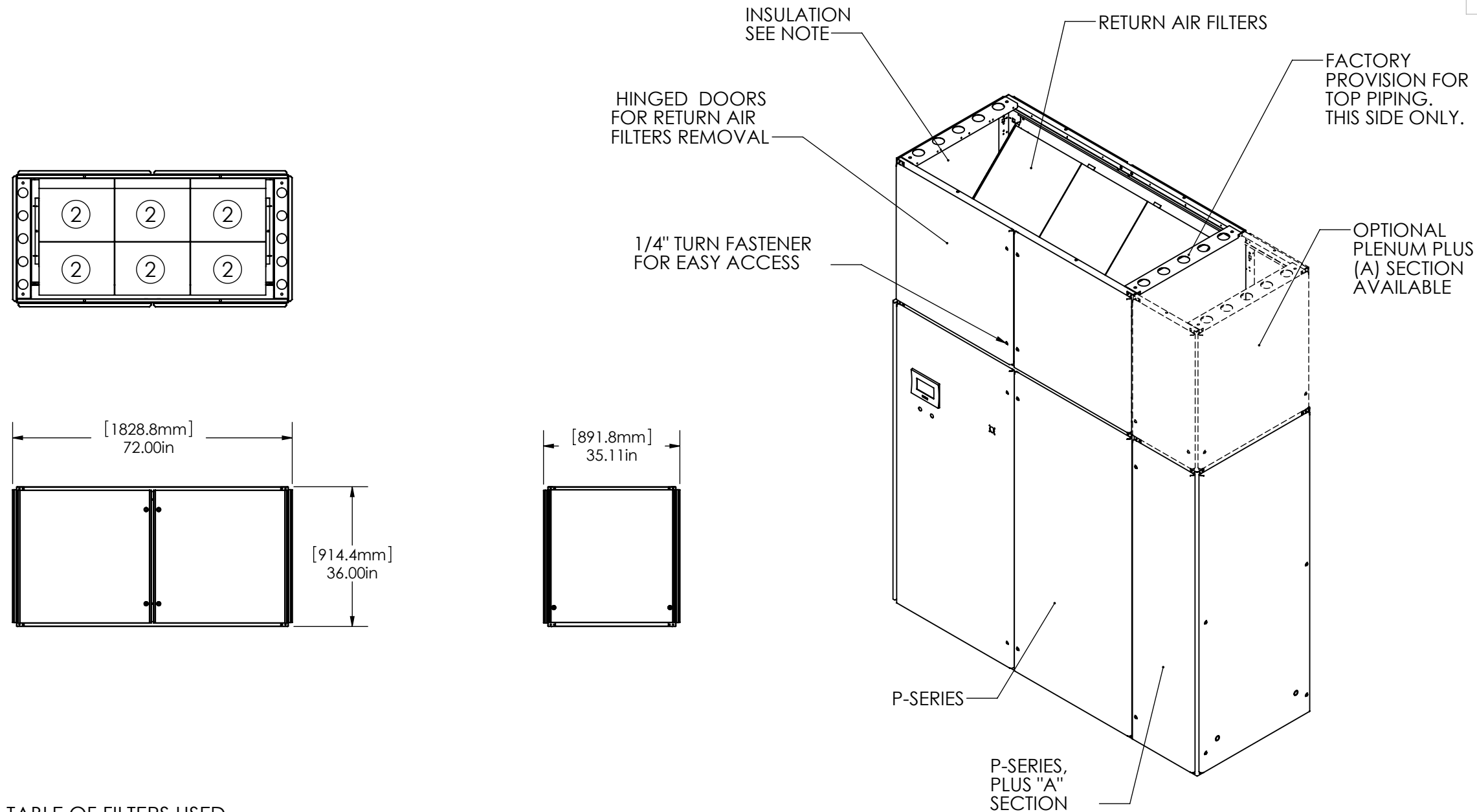


TABLE OF FILTERS USED

ITEM	FILTER SIZE	QTY
1	16X20X4	-
2	20X20X4	6
3	20X24X4	-
4	20X25X4	-

NOTE:

- 1/4" -UNIFOAM S82N UL-94 HF-1. (OPTIONAL).
- FIBRE INSULATION. NFPA-90A. A MIN 1" THICK, 24 kg/m3 (1 1/2 lb/ft3) DENSITY FIBRE INSULATION.

NOTE: OTHER FILTER ARRANGEMENTS ARE AVAILABLE ON REQUEST.

CONFIDENTIAL: THE COPYRIGHT OF THIS DOCUMENT IS RESERVED BY CLIMATEWORX. THIS DOCUMENT IS ISSUED ON THE CONDITION THAT IT IS NOT COPIED, REPRODUCED OR DISCLOSED TO ANY OTHER PARTY WITHOUT WRITTEN CONSENT OF CLIMATEWORX.

UNLESS OTHERWISE SPECIFIED DIMENSIONS ARE IN INCHES
 TOLERANCES:
 FRACTIONAL ± 1/8
 ANGULAR: ± 0.5° BEND ± 2°
 DECIMAL
 XXX = ±.010
 XX = ±.020
 X = ±.030
 HOLE DIA. +.003/-000

THIRD ANGLE PROJECTION

	BY	DATE
DRAWN	IZ	11/06/2009
CHECKED	GN	11/06/2009
CNC PROGRAM		
FINISH:	TEXTURED POWDERCOAT	
MATERIAL	N/A	THICKNESS N/A

		FINAL ASSEMBLY	
		DOWNFLOW DISCHARGE PLENUM	
PART NAME		SPDP-FP	
SIZE	DWG. NO.	REV.	
B	SPDP-FP	SEE TABLE	
BD	N/A	K	SCALE: 1:20 SHEET 1 OF 1