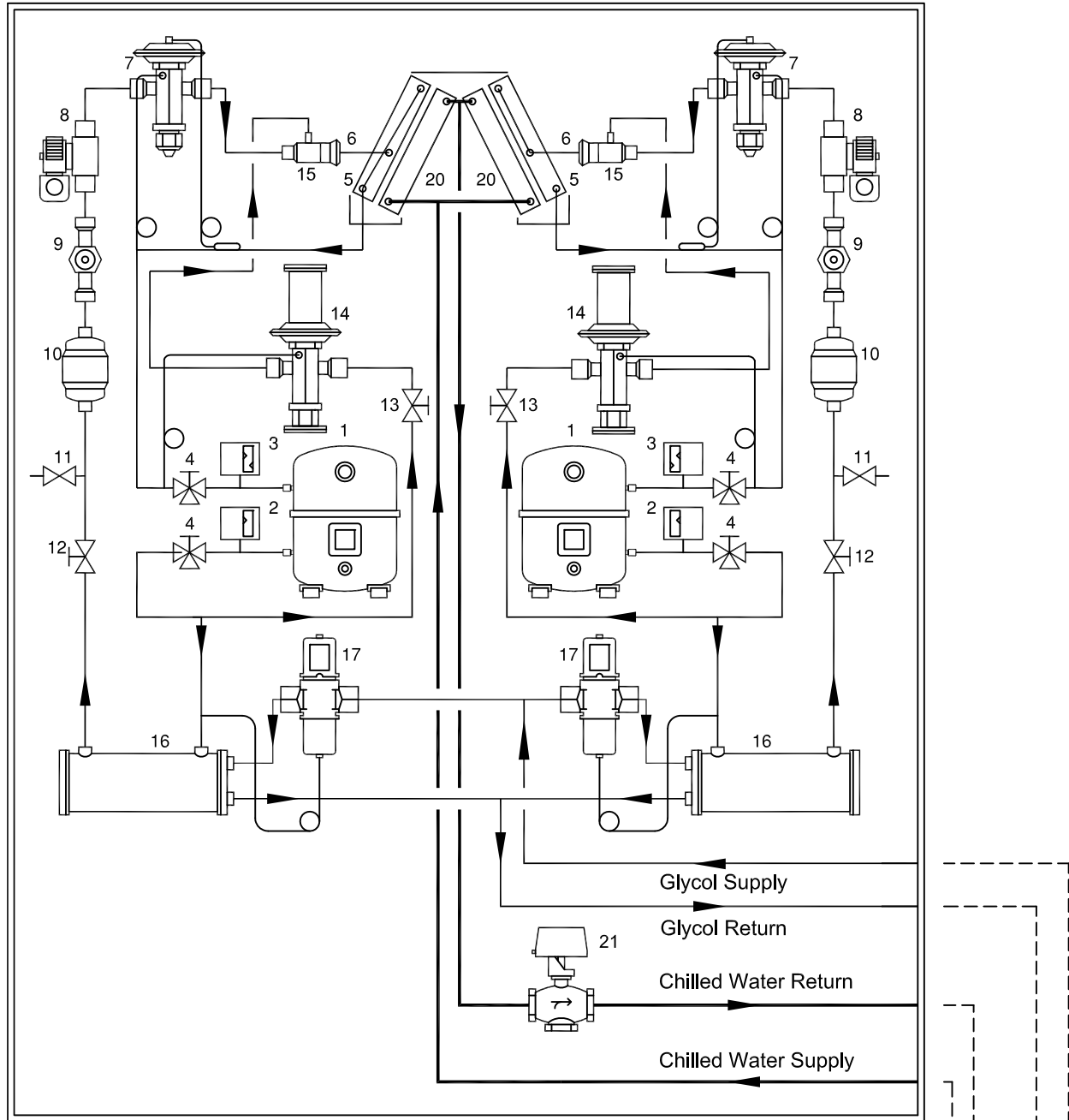
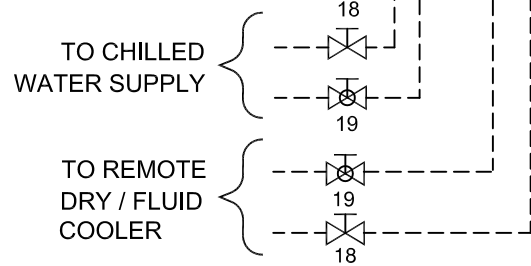


VERTICAL FLOOR MOUNT UNIT



COMPONENTS:

- 1 Compressor
- 2 High pressure switch
- 3 Low pressure switch
- 4 Rotalock valve
- 5 Evaporator
- 6 Refrigerant distributor
- 7 Thermostatic expansion valve
- 8 Liquid line solenoid valve
- 9 Sight glass
- 10 Filter-Drier
- 11 Access valve
- 12 Shut off valve
- 13 Hot Gas Bypass Manual Shut-off Valve
- 14 Hotgas bypass valve
- 15 Side connection distributor



- 16 Glycol cooled condenser/heat exchanger
- 17 Glycol regulating valve (Standard 2-way, optional 3-way)
- 18 Gate valve (supplied by others)
- 19 Globe valve (supplied by others)
- 20 Chilled water cooling coil
- 21 2-way modulating valve (optional 3-way valve)