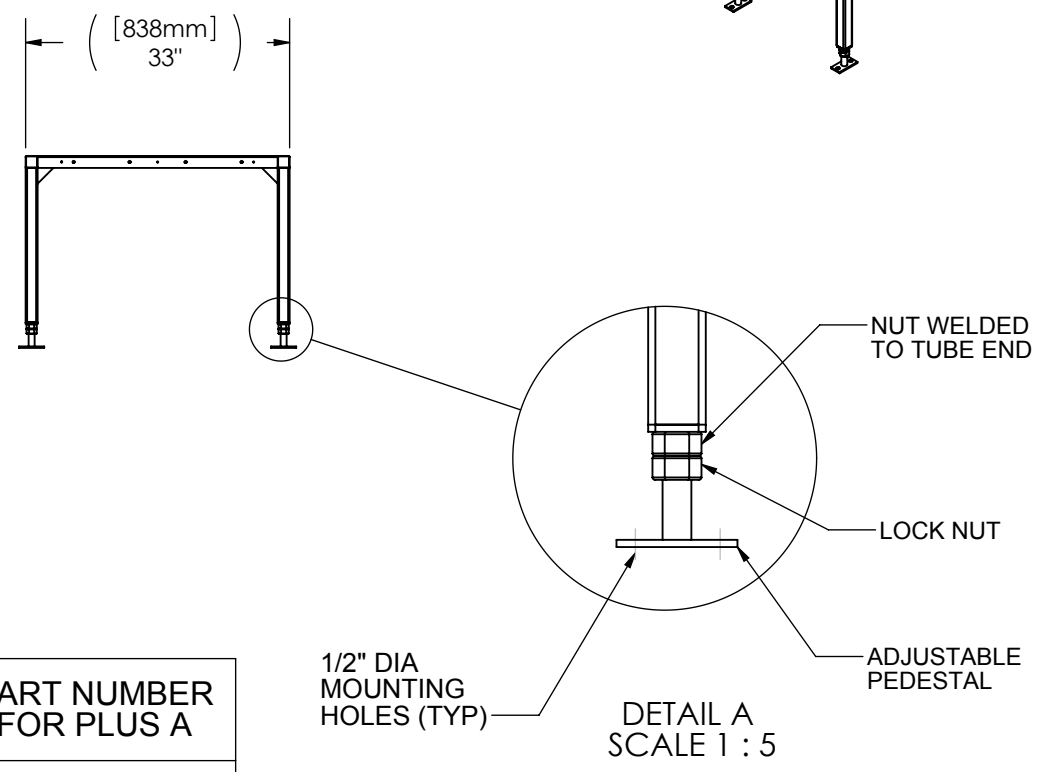
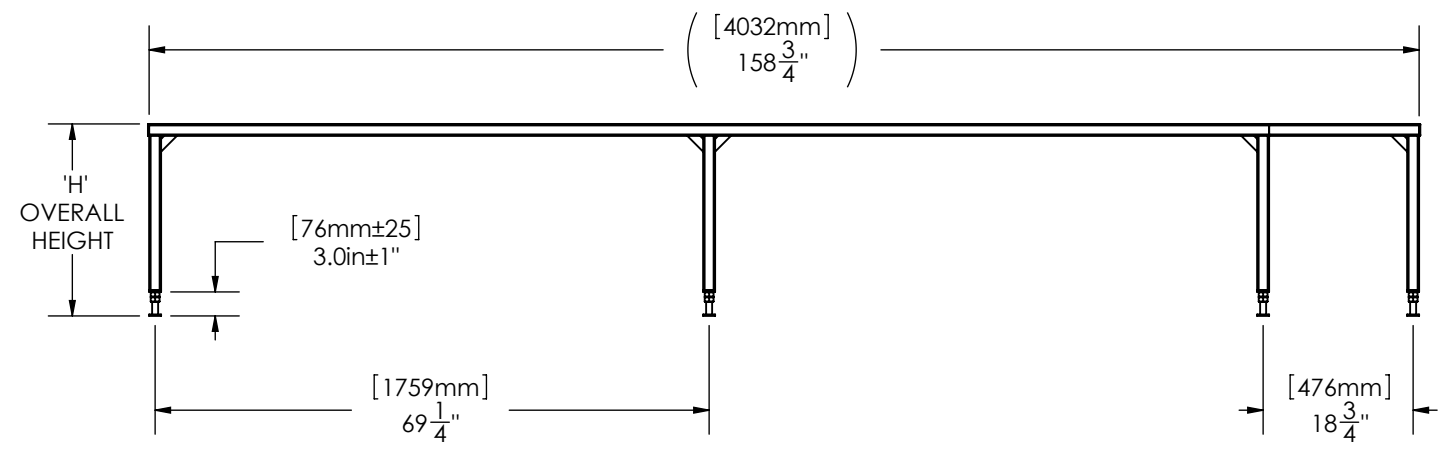
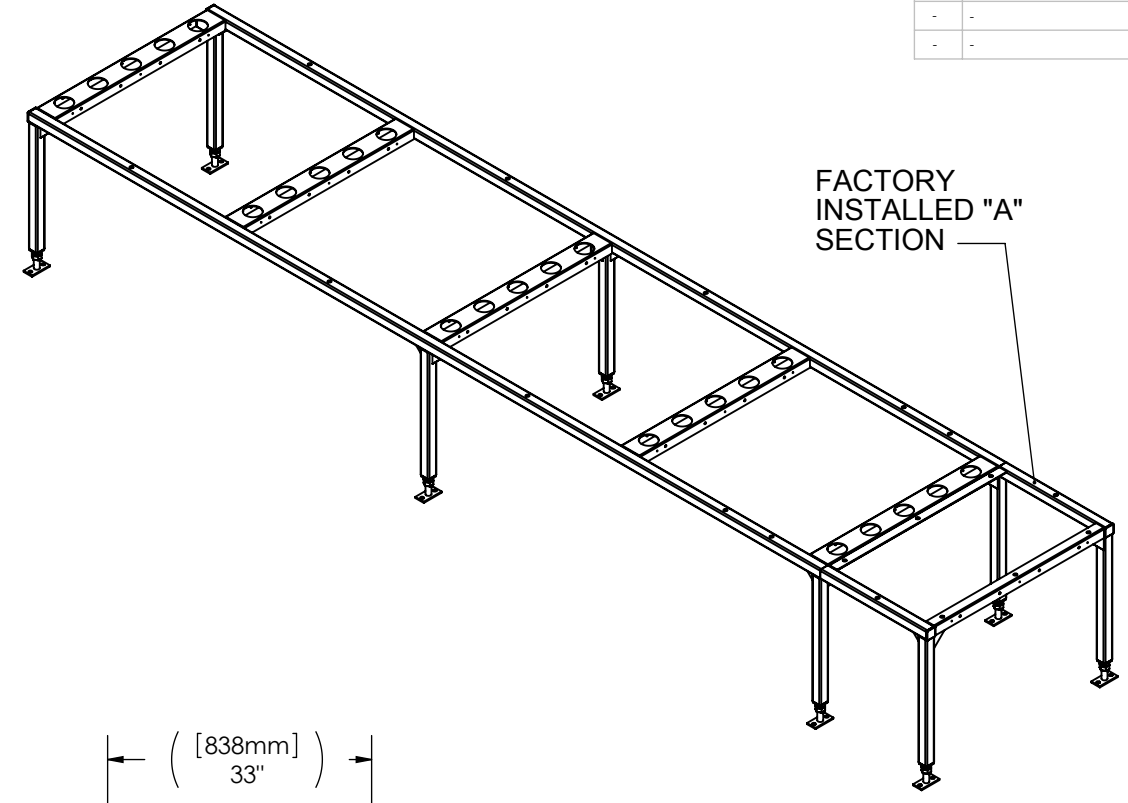
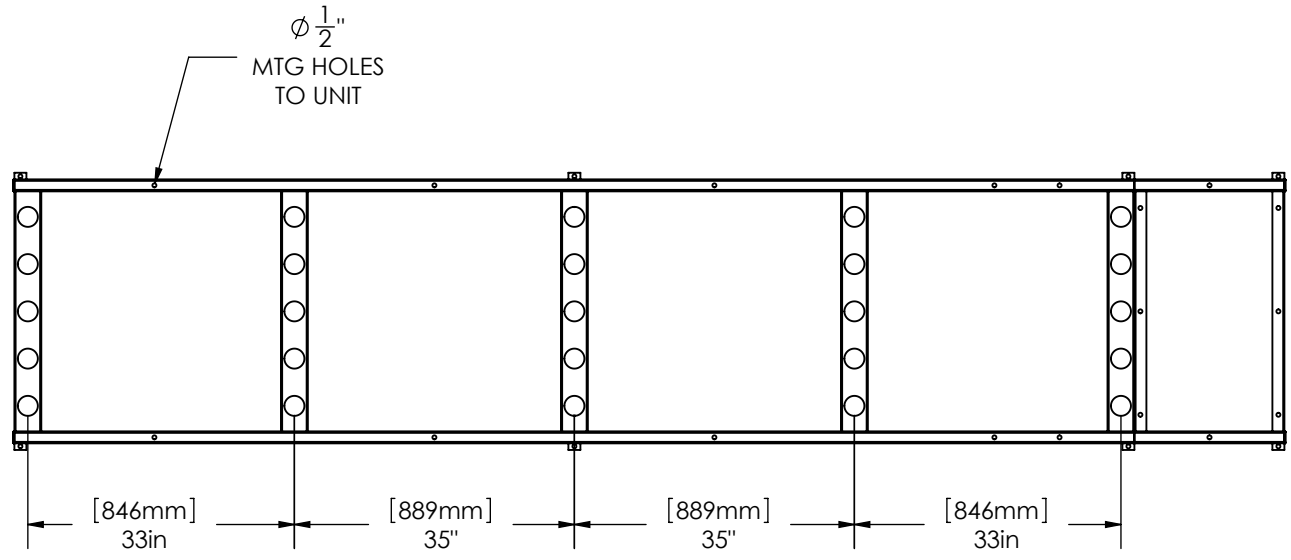


DATE PRINTED: 4/9/2013

REVISIONS			
REV.	DESCRIPTION	DATE	APPROVED
-	-	-	-
-	-	-	-



NOTES:

**NOTES:**

FLOORSTAND MATERIAL:  
STRUCTURAL STEEL TUBE 1.5"x1.5"x1/8" WALL THICKNESS

FLOORSTAND FINISH:  
BLACK SMOOTH POWDERCOAT

OVERALL HEIGHT:  
MODEL AS SHOWN, SEE TABLE. OTHER HEIGHTS MAY NOT BE AS SHOWN AND MAY BE ON A DIFFERENT DRAWING.  
HEIGHTS NOT LISTED AVAILABLE ON REQUEST.

OVERALL HEIGHT "H"	PART NUMBER	PART NUMBER FOR PLUS A
12"	780-100-0077	780-100-0068
18"	780-100-0087	780-100-0078
24"	780-100-0097	780-100-0088

UNLESS OTHERWISE SPECIFIED DIMENSIONS ARE IN INCHES  
TOLERANCES:  
FRACTIONAL ± 1/8  
ANGULAR: ± 0.5° BEND ± 2°  
DECIMAL  
XXX = ± .010  
XX = ± .020  
X = ± .030  
HOLE DIA. +.003/-0.000

BY		DATE
DRAWN	I.Z.	11/06/2009
CHECKED	G.N.	11/06/2009
CNC PROGRAM		
---		
---		
---		
FINISH: BLACK SMOOTH POWDERCOAT		
MATERIAL	THICKNESS	
N/A	N/A	

		FINAL ASSEMBLY	
		FLOOR STAND, 12", 18", 24", PLUS A	
SUBMITTAL DRAWING		PART NAME	
SEE TABLE		SEE TABLE	
SIZE	DWG. NO.	REV.	
B	SPDF-KPA	SEE TABLE	
BD	N/A	K	SCALE: 1:20 SHEET 1 OF 1

**CONFIDENTIAL:** THE COPYRIGHT OF THIS DOCUMENT IS RESERVED BY CLIMATEWORX. THIS DOCUMENT IS ISSUED ON THE CONDITION THAT IT IS NOT COPIED, REPRODUCED OR DISCLOSED TO ANY OTHER PARTY WITHOUT WRITTEN CONSENT OF CLIMATEWORX.

