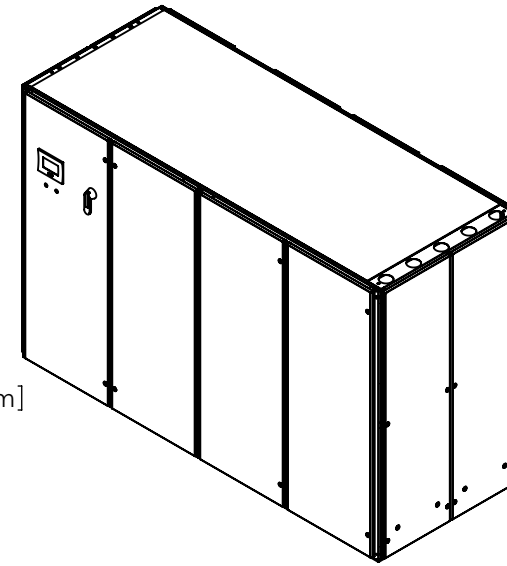
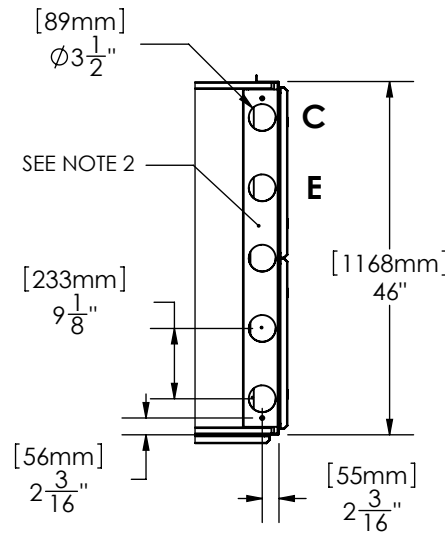
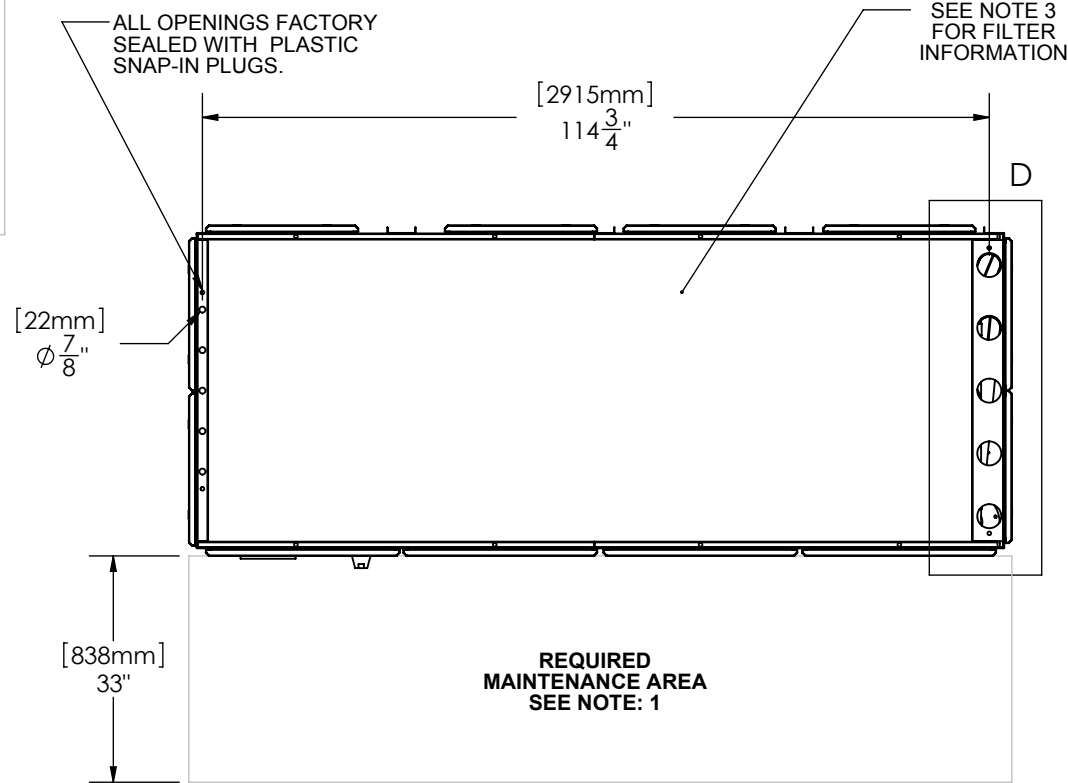


DATE PRINTED: 3/28/2013

REVISIONS			
REV.	DESCRIPTION	DATE	APPROVED
-	-	-	-



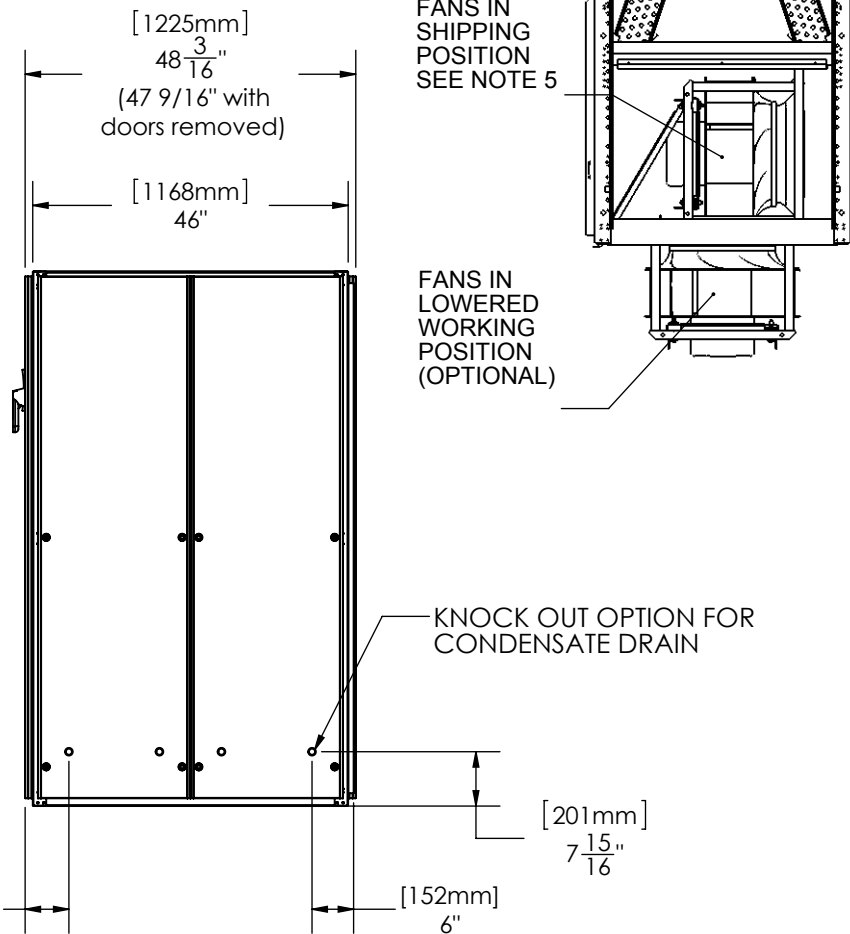
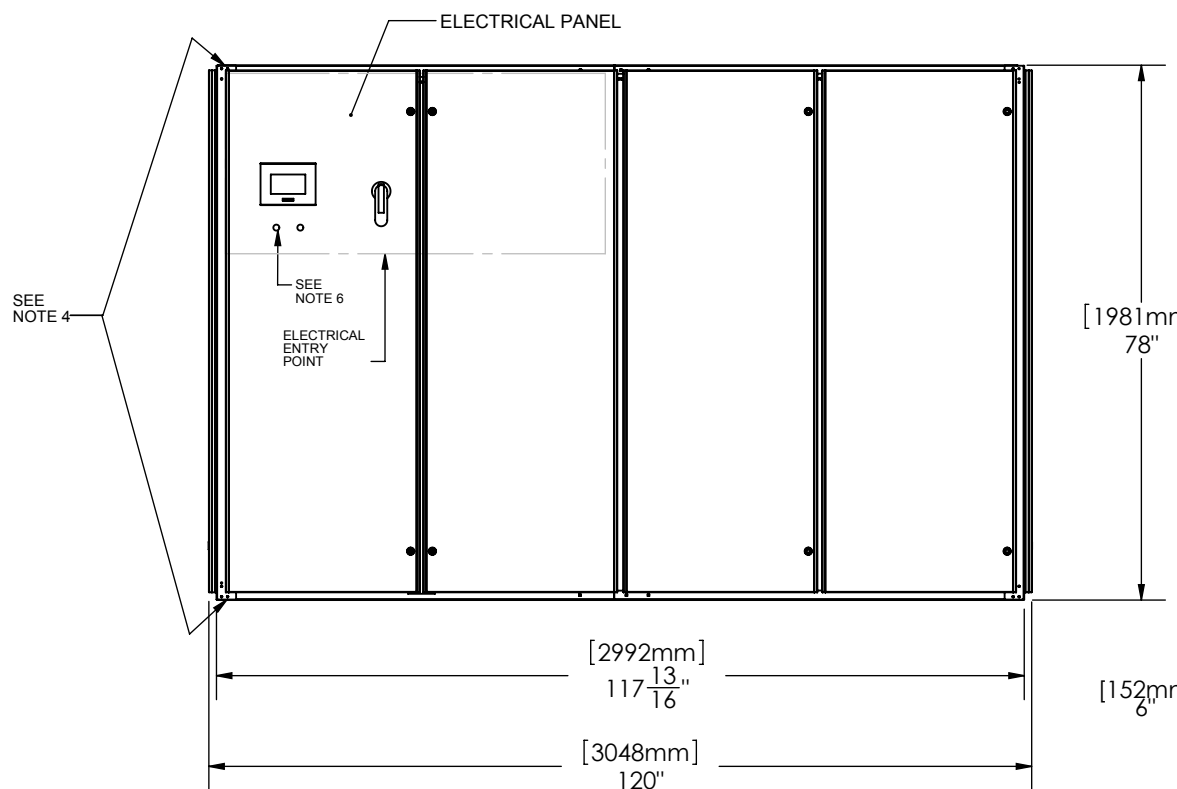
PIPING CONNECTION SIZES

SINGLE CIRCUIT CHILLED WATER PCD XXX
A = HOT WATER REHEAT ϕ 7/8" - RETURN
B = HOT WATER REHEAT ϕ 7/8" - SUPPLY
C = CHILLED WATER ϕ 3 1/8" - SUPPLY
D = CONDENSATE DRAIN ϕ 3/4"
E = CHILLED WATER ϕ 3 1/8" - RETURN

NOTES:

NOTES:

- FANS, MOTORS, VALVES AND ELECTRICAL PANEL ARE FRONT SERVICEABLE.
- ALL PIPING THROUGH BOTTOM PIPING HOLES UNLESS SPECIFIED AT TIME OF ORDER. UNUSED HOLES WILL BE FACTORY PLUGGED.
- RETURN AIR PLENUM FILTER BOX MUST BE ORDERED FOR FILTRATION. ORDERED SEPARATELY
- ELECTRICAL WIRING THROUGH TOP OR BOTTOM HOLES. ALL ENTRY POINTS MUST BE SEALED BY CONTRACTOR.
- FANS LOWERED INTO THE FLOOR WILL SHIP IN THE RAISED POSITION. SEE FACTORY LOWERING INSTRUCTIONS.
- AUTO TRANSFER SWITCH INDICATOR LIGHTS OPTIONAL.



UNLESS OTHERWISE SPECIFIED DIMENSIONS ARE IN INCHES
TOLERANCES:
FRACTIONAL \pm 1/8
ANGULAR: \pm 0.5° BEND \pm 2°
DECIMAL
XXX = \pm .010
XX = \pm .020
X = \pm .030
HOLE DIA. +.003/- .000

THIRD ANGLE PROJECTION

	BY	DATE
DRAWN	CL	05/13/2010
CHECKED	-	05/13/2010
CNC PROGRAM		
FINISH:		
MATERIAL	N/A	THICKNESS N/A

		FINAL ASSEMBLY	
		P-SERIES, DOWNFLOW	
		PCD180, L SIZE	
		PART NAME	
		PCD180 SUBMITTAL	
SIZE	DWG. NO.		REV. SEE TABLE
B	SPDD-LP		
BD	N/A	K	SCALE: 1:20 SHEET 1 OF 1

CONFIDENTIAL: THE COPYRIGHT OF THIS DOCUMENT IS RESERVED BY CLIMATEWORX. THIS DOCUMENT IS ISSUED ON THE CONDITION THAT IT IS NOT COPIED, REPRODUCED OR DISCLOSED TO ANY OTHER PARTY WITHOUT WRITTEN CONSENT OF CLIMATEWORX.