



**CLIMATEWORX**  
MISSION CRITICAL CLIMATE CONTROL

## Series 6

Intelligent Precision Air Conditioning System

---

***Technical Data - 50Hz***

## **Table of Contents**

|                                              |           |
|----------------------------------------------|-----------|
| <b>Table of Contents .....</b>               | <b>2</b>  |
| <b>Air-cooled System.....</b>                | <b>3</b>  |
| <b>Water-cooled System .....</b>             | <b>5</b>  |
| <b>Glycol-cooled System .....</b>            | <b>7</b>  |
| <b>Chilled-water System .....</b>            | <b>9</b>  |
| <b>Electrical Data (380V/3PH/50Hz) .....</b> | <b>11</b> |
| <b>Dimensional Drawings .....</b>            | <b>12</b> |

## Air-cooled System

| Model no. 6AU__/_6AD__                                                                   |                   | 02     | 03     | 04     | 05     |
|------------------------------------------------------------------------------------------|-------------------|--------|--------|--------|--------|
| <b>Cooling Capacity - Rated at standard air volume, 35°C ambient temperature</b>         |                   |        |        |        |        |
| <b>24°C(75.2°F)DB, 50%rh</b>                                                             |                   |        |        |        |        |
| Total                                                                                    | kW                | 8.3    | 11.4   | 14.4   | 18.9   |
| Sensible                                                                                 | kW                | 8.1    | 10.7   | 13.3   | 17.7   |
| THR                                                                                      | kW                | 10.0   | 13.9   | 17.8   | 23.1   |
| <b>24°C(75.2°F)DB, 45%rh</b>                                                             |                   |        |        |        |        |
| Total                                                                                    | kW                | 8.1    | 11.2   | 14.1   | 18.7   |
| Sensible                                                                                 | kW                | 8.1    | 11.2   | 14.1   | 18.7   |
| THR                                                                                      | kW                | 9.9    | 13.6   | 17.5   | 22.8   |
| <b>22°C(71.6°F)DB, 50%rh</b>                                                             |                   |        |        |        |        |
| Total                                                                                    | kW                | 7.9    | 10.9   | 13.7   | 18.0   |
| Sensible                                                                                 | kW                | 7.5    | 10.4   | 13.0   | 17.0   |
| THR                                                                                      | kW                | 9.6    | 13.3   | 17.1   | 22.2   |
| <b>22°C(71.6°F)DB, 45%rh</b>                                                             |                   |        |        |        |        |
| Total                                                                                    | kW                | 7.7    | 10.7   | 13.4   | 17.8   |
| Sensible                                                                                 | kW                | 7.7    | 10.7   | 13.4   | 17.8   |
| THR                                                                                      | kW                | 9.5    | 13.1   | 16.8   | 21.9   |
| <b>20°C(68.0°F)DB, 50%rh</b>                                                             |                   |        |        |        |        |
| Total                                                                                    | kW                | 7.5    | 10.3   | 13.0   | 17.1   |
| Sensible                                                                                 | kW                | 7.1    | 10.2   | 12.9   | 16.8   |
| THR                                                                                      | kW                | 9.3    | 12.8   | 16.4   | 21.3   |
| <b>20°C(68.0°F)DB, 45%rh</b>                                                             |                   |        |        |        |        |
| Total                                                                                    | kW                | 7.3    | 10.1   | 12.8   | 16.9   |
| Sensible                                                                                 | kW                | 7.3    | 10.1   | 12.8   | 16.9   |
| THR                                                                                      | kW                | 9.1    | 12.6   | 16.2   | 21.1   |
| <b>Fan Section - Single belt, variable pitch, single shaft centrifugal blower system</b> |                   |        |        |        |        |
| Standard Air Volume                                                                      | m <sup>3</sup> /h | 2380   | 3230   | 4080   | 5100   |
| External Static Pressure                                                                 | Pa                | 25     | 25     | 25     | 25     |
| Quantity of Fans                                                                         |                   | 1      | 1      | 1      | 1      |
| Total Fan Motor Power                                                                    | kW                | 0.75   | 0.75   | 0.75   | 1.12   |
| Absorbed Power                                                                           | kW                | 0.18   | 0.31   | 0.54   | 1.03   |
| <b>Compressor - Refrigerant R22</b>                                                      |                   |        |        |        |        |
| Quantity of Compressors                                                                  |                   | 1      | 1      | 1      | 1      |
| Type                                                                                     |                   | Scroll | Scroll | Scroll | Scroll |

| Model no.                                                                            | 6AU__ /6AD__   | 02               | 03    | 04    | 05    |
|--------------------------------------------------------------------------------------|----------------|------------------|-------|-------|-------|
| <b>Evaporator Coil - Copper tube / aluminium fin - Stainless steel drain pan</b>     |                |                  |       |       |       |
| Face Area                                                                            | m <sup>2</sup> | 0.58             | 0.58  | 0.58  | 0.58  |
| Rows Deep                                                                            |                | 3                | 3     | 3     | 4     |
| Fins per inch                                                                        |                | 12               | 12    | 12    | 12    |
| Face Velocity                                                                        | m/s            | 1.14             | 1.55  | 1.95  | 2.44  |
| Refrigerant Charge                                                                   | kg             | 1.5              | 1.5   | 1.5   | 2.0   |
| <b>Reheat Section – Electric Reheat - finned tubular type heater, SCR controlled</b> |                |                  |       |       |       |
| Capacity                                                                             | kW             | 9                | 9     | 9     | 9     |
| Quantity of Heaters                                                                  |                | 3                | 3     | 3     | 3     |
| <b>Humidifier - Electrode boiler type, Serviceable Bottle</b>                        |                |                  |       |       |       |
| Steam Generation Capacity                                                            | kg/h           | 4.5              | 4.5   | 4.5   | 4.5   |
| Humidifier Power                                                                     | kW             | 3.4              | 3.4   | 3.4   | 3.4   |
| <b>Filter Section - Pleated disposable type</b>                                      |                |                  |       |       |       |
| Quantity of Filters                                                                  |                | 3                | 3     | 3     | 3     |
| Nominal Size                                                                         | LxWxD mm       | 610 x 457 x 51   |       |       |       |
| <b>Piping Connection Size</b>                                                        |                |                  |       |       |       |
| Liquid Line                                                                          | -ODM-mm        | 13               | 13    | 13    | 13    |
| Hot Gas Line                                                                         | -ODM-mm        | 22               | 22    | 22    | 22    |
| Humidifier Water                                                                     | -ODM-mm        | 6.4              | 6.4   | 6.4   | 6.4   |
| Condensate Drain                                                                     | -ODM-mm        | 19               | 19    | 19    | 19    |
| <b>Physical Details</b>                                                              |                |                  |       |       |       |
| Width x Depth x Height                                                               | mm             | 915 x 637 x 1880 |       |       |       |
| Weight                                                                               | kg             | 235              | 265   | 265   | 270   |
| <b>Air Cooled Condenser – Factory Matched</b>                                        |                |                  |       |       |       |
| Model                                                                                |                | KCV03            | KCV05 | KCV05 | KCV08 |
| No. of Condenser                                                                     |                | 1                | 1     | 1     | 1     |
| <b>Alternative Air Cooled Condenser</b>                                              |                |                  |       |       |       |
| Model                                                                                |                | -                | -     | -     | KD107 |
| No. of Condenser                                                                     |                | -                | -     | -     | 1     |

## Water-cooled System

| Model no. 6WU__/6WD__                                                                    |                   | 02     | 03     | 04     | 05     |
|------------------------------------------------------------------------------------------|-------------------|--------|--------|--------|--------|
| <b>Cooling Capacity - Rated at standard air volume, 35°C ambient temperature</b>         |                   |        |        |        |        |
| <b>24°C(75.2°F)DB, 50%rh</b>                                                             |                   |        |        |        |        |
| Total                                                                                    | kW                | 8.4    | 11.4   | 14.8   | 19.1   |
| Sensible                                                                                 | kW                | 8.2    | 10.7   | 13.5   | 17.8   |
| THR                                                                                      | kW                | 10.2   | 13.8   | 18.2   | 23.2   |
| <b>24°C(75.2°F)DB, 45%rh</b>                                                             |                   |        |        |        |        |
| Total                                                                                    | kW                | 8.2    | 11.2   | 14.5   | 18.8   |
| Sensible                                                                                 | kW                | 8.2    | 11.2   | 14.5   | 18.8   |
| THR                                                                                      | kW                | 10.0   | 13.6   | 17.9   | 23.0   |
| <b>22°C(71.6°F)DB, 50%rh</b>                                                             |                   |        |        |        |        |
| Total                                                                                    | kW                | 8.0    | 10.8   | 14.0   | 18.1   |
| Sensible                                                                                 | kW                | 7.6    | 10.3   | 13.2   | 17.1   |
| THR                                                                                      | kW                | 9.7    | 13.2   | 17.4   | 22.3   |
| <b>22°C(71.6°F)DB, 45%rh</b>                                                             |                   |        |        |        |        |
| Total                                                                                    | kW                | 7.8    | 10.6   | 13.7   | 17.9   |
| Sensible                                                                                 | kW                | 7.8    | 10.6   | 13.7   | 17.9   |
| THR                                                                                      | kW                | 9.6    | 13.0   | 17.1   | 22.0   |
| <b>20°C(68.0°F)DB, 50%rh</b>                                                             |                   |        |        |        |        |
| Total                                                                                    | kW                | 7.5    | 10.2   | 13.2   | 17.2   |
| Sensible                                                                                 | kW                | 7.2    | 10.1   | 13.0   | 16.8   |
| THR                                                                                      | kW                | 9.3    | 12.6   | 16.6   | 21.3   |
| <b>20°C(68.0°F)DB, 45%rh</b>                                                             |                   |        |        |        |        |
| Total                                                                                    | kW                | 7.4    | 10.0   | 13.0   | 16.9   |
| Sensible                                                                                 | kW                | 7.4    | 10.0   | 13.0   | 16.9   |
| THR                                                                                      | kW                | 9.2    | 12.4   | 16.3   | 21.1   |
| <b>Fan Section - Single belt, variable pitch, single shaft centrifugal blower system</b> |                   |        |        |        |        |
| Standard Air Volume                                                                      | m <sup>3</sup> /h | 2380   | 3230   | 4080   | 5100   |
| External Static Pressure                                                                 | Pa                | 75     | 75     | 75     | 75     |
| Quantity of Fans                                                                         |                   | 1      | 1      | 1      | 1      |
| Total Fan Motor Power                                                                    | kW                | 0.75   | 0.75   | 0.75   | 1.12   |
| Absorbed Power                                                                           | kW                | 0.18   | 0.31   | 0.54   | 1.03   |
| <b>Compressor - Refrigerant R22</b>                                                      |                   |        |        |        |        |
| Quantity of Compressors                                                                  |                   | 1      | 1      | 1      | 1      |
| Type                                                                                     |                   | Scroll | Scroll | Scroll | Scroll |

| Model no.                                                                            | 6WU__ /6WD__   | 02               | 03             | 04             | 05             |
|--------------------------------------------------------------------------------------|----------------|------------------|----------------|----------------|----------------|
| <b>Evaporator Coil - Copper tube / aluminium fin - Stainless steel drain pan</b>     |                |                  |                |                |                |
| Face Area                                                                            | m <sup>2</sup> | 0.58             | 0.58           | 0.58           | 0.58           |
| Rows Deep                                                                            |                | 3                | 3              | 3              | 4              |
| Fins per inch                                                                        |                | 12               | 12             | 12             | 12             |
| Face Velocity                                                                        | m/s            | 1.14             | 1.54           | 1.95           | 2.44           |
| <b>Reheat Section – Electric Reheat - finned tubular type heater, SCR controlled</b> |                |                  |                |                |                |
| Capacity                                                                             | kW             | 9                | 9              | 9              | 9              |
| Quantity of Heaters                                                                  |                | 3                | 3              | 3              | 3              |
| <b>Humidifier - Electrode boiler type, Serviceable Bottle</b>                        |                |                  |                |                |                |
| Steam Generation Capacity                                                            | kg/h           | 4.5              | 4.5            | 4.5            | 4.5            |
| Humidifier Power                                                                     | kW             | 3.4              | 3.4            | 3.4            | 3.4            |
| <b>Filter Section - Pleated disposable type</b>                                      |                |                  |                |                |                |
| Quantity of Filters                                                                  |                | 3                | 3              | 3              | 3              |
| Nominal Size                                                                         | LxWxD mm       | 610 x 457 x 51   | 610 x 457 x 51 | 610 x 457 x 51 | 610 x 457 x 51 |
| <b>Condensing Water Requirement</b>                                                  |                |                  |                |                |                |
| 35°C EWT                                                                             |                |                  |                |                |                |
| Flow Rate                                                                            | l/s            | 0.52             | 0.69           | 0.77           | 1.14           |
| Unit Pressure Drop                                                                   | kPa            | 75.3             | 104.6          | 98.5           | 114.4          |
| 32.2°C EWT                                                                           |                |                  |                |                |                |
| Flow Rate                                                                            | l/s            | 0.28             | 0.33           | 0.44           | 0.66           |
| Unit Pressure Drop                                                                   | kPa            | 28.6             | 28.9           | 36.2           | 43.8           |
| <b>Water Regulating Valve - 2-way, head pressure controlled</b>                      |                |                  |                |                |                |
| Size                                                                                 | mm             | 19.1             | 19.1           | 19.1           | 25.4           |
| <b>Piping Connection Size</b>                                                        |                |                  |                |                |                |
| Liquid Line                                                                          | - ODM-mm       | 13               | 13             | 13             | 13             |
| Hot Gas Line                                                                         | - ODM-mm       | 22               | 22             | 22             | 22             |
| Humidifier Water                                                                     | - ODM-mm       | 6.4              | 6.4            | 6.4            | 6.4            |
| Condensate Drain                                                                     | - ODM-mm       | 19               | 19             | 19             | 19             |
| Condensing Water                                                                     | - ODM-mm       | 28.6             | 28.6           | 28.6           | 28.6           |
| <b>Physical Details*</b>                                                             |                |                  |                |                |                |
| Width x Depth x Height                                                               | mm             | 915 x 637 x 1880 |                |                |                |
| Weight                                                                               | kg             | 264              | 276            | 276            | 281            |

## Glycol-cooled System

| Model no. 6GU__/_6GD__                                                                   |                   | 02     | 03     | 04     | 05     |
|------------------------------------------------------------------------------------------|-------------------|--------|--------|--------|--------|
| <b>Cooling Capacity - Rated at standard air volume, 35°C ambient temperature</b>         |                   |        |        |        |        |
| <b>24°C(75.2°F)DB, 50%rh</b>                                                             |                   |        |        |        |        |
| Total                                                                                    | kW                | 8.4    | 11.4   | 14.8   | 19.1   |
| Sensible                                                                                 | kW                | 8.2    | 10.7   | 13.5   | 17.8   |
| THR                                                                                      | kW                | 10.2   | 13.8   | 18.2   | 23.2   |
| <b>24°C(75.2°F)DB, 45%rh</b>                                                             |                   |        |        |        |        |
| Total                                                                                    | kW                | 8.2    | 11.2   | 14.5   | 18.8   |
| Sensible                                                                                 | kW                | 8.2    | 11.2   | 14.5   | 18.8   |
| THR                                                                                      | kW                | 10.0   | 13.6   | 17.9   | 23.0   |
| <b>22°C(71.6°F)DB, 50%rh</b>                                                             |                   |        |        |        |        |
| Total                                                                                    | kW                | 8.0    | 10.8   | 14.0   | 18.1   |
| Sensible                                                                                 | kW                | 7.6    | 10.3   | 13.2   | 17.1   |
| THR                                                                                      | kW                | 9.7    | 13.2   | 17.4   | 22.3   |
| <b>22°C(71.6°F)DB, 45%rh</b>                                                             |                   |        |        |        |        |
| Total                                                                                    | kW                | 7.8    | 10.6   | 13.7   | 17.9   |
| Sensible                                                                                 | kW                | 7.8    | 10.6   | 13.7   | 17.9   |
| THR                                                                                      | kW                | 9.6    | 13.0   | 17.1   | 22.0   |
| <b>20°C(68.0°F)DB, 50%rh</b>                                                             |                   |        |        |        |        |
| Total                                                                                    | kW                | 7.5    | 10.2   | 13.2   | 17.2   |
| Sensible                                                                                 | kW                | 7.2    | 10.1   | 13.0   | 16.8   |
| THR                                                                                      | kW                | 9.3    | 12.6   | 16.6   | 21.3   |
| <b>20°C(68.0°F)DB, 45%rh</b>                                                             |                   |        |        |        |        |
| Total                                                                                    | kW                | 7.4    | 10.0   | 13.0   | 16.9   |
| Sensible                                                                                 | kW                | 7.4    | 10.0   | 13.0   | 16.9   |
| THR                                                                                      | kW                | 9.2    | 12.4   | 16.3   | 21.1   |
| <b>Fan Section - Single belt, variable pitch, single shaft centrifugal blower system</b> |                   |        |        |        |        |
| Standard Air Volume                                                                      | m <sup>3</sup> /h | 2380   | 3230   | 4080   | 5100   |
| External Static Pressure                                                                 | Pa                | 75     | 75     | 75     | 75     |
| Quantity of Fans                                                                         |                   | 1      | 1      | 1      | 1      |
| Total Fan Motor Power                                                                    | kW                | 0.75   | 0.75   | 0.75   | 1.12   |
| Absorbed Power                                                                           | kW                | 0.18   | 0.31   | 0.54   | 1.03   |
| <b>Compressor - Refrigerant R22</b>                                                      |                   |        |        |        |        |
| Quantity of Compressors                                                                  |                   | 1      | 1      | 1      | 1      |
| Type                                                                                     |                   | Scroll | Scroll | Scroll | Scroll |

| Model no.                                                                            | 6GU__ /6GD__   | 02               | 03             | 04             | 05             |
|--------------------------------------------------------------------------------------|----------------|------------------|----------------|----------------|----------------|
| <b>Evaporator Coil - Copper tube / aluminium fin - Stainless steel drain pan</b>     |                |                  |                |                |                |
| Face Area                                                                            | m <sup>2</sup> | 0.58             | 0.58           | 0.58           | 0.58           |
| Rows Deep                                                                            |                | 3                | 3              | 3              | 4              |
| Fins per inch                                                                        |                | 12               | 12             | 12             | 12             |
| Face Velocity                                                                        | m/s            | 1.14             | 1.54           | 1.95           | 2.44           |
| <b>Reheat Section – Electric Reheat - finned tubular type heater, SCR controlled</b> |                |                  |                |                |                |
| Capacity                                                                             | kW             | 9                | 9              | 9              | 9              |
| Quantity of Heaters                                                                  |                | 3                | 3              | 3              | 3              |
| <b>Humidifier - Electrode boiler type, Serviceable Bottle</b>                        |                |                  |                |                |                |
| Steam Generation Capacity                                                            | kg/h           | 4.5              | 4.5            | 4.5            | 4.5            |
| Humidifier Power                                                                     | kW             | 3.4              | 3.4            | 3.4            | 3.4            |
| <b>Filter Section - Pleated disposable type</b>                                      |                |                  |                |                |                |
| Quantity of Filters                                                                  |                | 3                | 3              | 3              | 3              |
| Nominal Size                                                                         | LxWxD mm       | 610 x 457 x 51   | 610 x 457 x 51 | 610 x 457 x 51 | 610 x 457 x 51 |
| <b>Glycol Solution Requirement</b>                                                   |                |                  |                |                |                |
| 40.5°C EWT                                                                           |                |                  |                |                |                |
| Flow Rate                                                                            | l/s            | 0.63             | 0.59           | 0.79           | 1.10           |
| Unit Pressure Drop                                                                   | kPa            | 80.0             | 50.4           | 81.5           | 74.4           |
| 35°C EWT                                                                             |                |                  |                |                |                |
| Flow Rate                                                                            | l/s            | 0.25             | 0.30           | 0.34           | 0.56           |
| Unit Pressure Drop                                                                   | kPa            | 17.4             | 18.8           | 18.5           | 26.6           |
| <b>Glycol Solution Regulating Valve - 2-way, head pressure controlled</b>            |                |                  |                |                |                |
| Size                                                                                 | mm             | 19.1             | 19.1           | 19.1           | 25.4           |
| <b>Piping Connection Size</b>                                                        |                |                  |                |                |                |
| Liquid Line                                                                          | - ODM-mm       | 13               | 13             | 13             | 13             |
| Hot Gas Line                                                                         | - ODM-mm       | 15.9             | 15.9           | 15.9           | 15.9           |
| Humidifier Water                                                                     | - ODM-mm       | 6.4              | 6.4            | 6.4            | 6.4            |
| Condensate Drain                                                                     | - ODM-mm       | 19               | 19             | 19             | 19             |
| Glycol Solution                                                                      | - ODM-mm       | 41.3             | 41.3           | 41.3           | 41.3           |
| <b>Physical Details*</b>                                                             |                |                  |                |                |                |
| Width x Depth x Height                                                               | mm             | 915 x 637 x 1880 |                |                |                |
| Weight                                                                               | kg             | 273              | 285            | 285            | 290            |



## Chilled-water System

| Model no.                                                                                                 | 6CU__/_6CD__      | 02   | 03   | 04   | 05   |
|-----------------------------------------------------------------------------------------------------------|-------------------|------|------|------|------|
| <b>Cooling Capacity - Rated at standard air volume, 7.2°C entering water &amp; 5.6°C temperature rise</b> |                   |      |      |      |      |
| <b>26°C(78.8°F)DB, 50%rh</b>                                                                              |                   |      |      |      |      |
| Total                                                                                                     | kW                | 12.5 | 16.3 | 19.4 | 28.3 |
| Sensible                                                                                                  | kW                | 9.7  | 12.3 | 14.7 | 21.0 |
| Flow Rate                                                                                                 | l/s               | 0.54 | 0.70 | 0.83 | 1.22 |
| Unit Pressure Drop                                                                                        | kPa               | 22   | 34   | 45   | 106  |
| <b>26°C(78.8°F)DB, 45%rh</b>                                                                              |                   |      |      |      |      |
| Total                                                                                                     | kW                | 11.3 | 14.7 | 17.4 | 25.3 |
| Sensible                                                                                                  | kW                | 9.9  | 12.6 | 15.0 | 21.2 |
| Flow Rate                                                                                                 | l/s               | 0.48 | 0.63 | 0.74 | 1.09 |
| Unit Pressure Drop                                                                                        | kPa               | 19   | 29   | 37   | 88   |
| <b>24°C(75.2°F)DB, 50%rh</b>                                                                              |                   |      |      |      |      |
| Total                                                                                                     | kW                | 9.8  | 12.8 | 15.1 | 22.0 |
| Sensible                                                                                                  | kW                | 8.5  | 10.8 | 12.9 | 18.3 |
| Flow Rate                                                                                                 | l/s               | 0.42 | 0.55 | 0.65 | 0.95 |
| Unit Pressure Drop                                                                                        | kPa               | 15   | 23   | 30   | 70   |
| <b>24°C(75.2°F)DB, 45%rh</b>                                                                              |                   |      |      |      |      |
| Total                                                                                                     | kW                | 8.7  | 11.0 | 13.1 | 20.1 |
| Sensible                                                                                                  | kW                | 8.7  | 11.0 | 13.1 | 18.8 |
| Flow Rate                                                                                                 | l/s               | 0.37 | 0.47 | 0.56 | 0.86 |
| Unit Pressure Drop                                                                                        | kPa               | 14   | 18   | 24   | 60   |
| <b>22°C(71.6°F)DB, 50%rh</b>                                                                              |                   |      |      |      |      |
| Total                                                                                                     | kW                | 7.4  | 9.3  | 11.1 | 15.9 |
| Sensible                                                                                                  | kW                | 7.4  | 9.3  | 11.1 | 15.9 |
| Flow Rate                                                                                                 | l/s               | 0.32 | 0.40 | 0.47 | 0.68 |
| Unit Pressure Drop                                                                                        | kPa               | 10   | 14   | 18   | 41   |
| <b>22°C(71.6°F)DB, 45%rh</b>                                                                              |                   |      |      |      |      |
| Total                                                                                                     | kW                | 7.4  | 9.3  | 11.1 | 15.9 |
| Sensible                                                                                                  | kW                | 7.4  | 9.3  | 11.1 | 15.9 |
| Flow Rate                                                                                                 | l/s               | 0.32 | 0.40 | 0.47 | 0.68 |
| Unit Pressure Drop                                                                                        | kPa               | 10   | 14   | 18   | 41   |
| <b>Fan Section - Single belt, variable pitch, single shaft centrifugal blower system</b>                  |                   |      |      |      |      |
| Standard Air Volume                                                                                       | m <sup>3</sup> /h | 2380 | 3230 | 4080 | 5100 |
| External Static Pressure                                                                                  | Pa                | 75   | 75   | 75   | 75   |
| Quantity of Fans                                                                                          |                   | 1    | 1    | 1    | 1    |
| Total Fan Motor Power                                                                                     | kW                | 0.75 | 0.75 | 0.75 | 1.12 |
| Absorbed Power                                                                                            | kW                | 0.18 | 0.31 | 0.54 | 1.03 |

| Model no.                                                                            | 6CU__/6CD__    | 02               | 03             | 04             | 05             |
|--------------------------------------------------------------------------------------|----------------|------------------|----------------|----------------|----------------|
| <b>Evaporator Coil - Copper tube / aluminium fin - Stainless steel drain pan</b>     |                |                  |                |                |                |
| Face Area                                                                            | m <sup>2</sup> | 0.58             | 0.58           | 0.58           | 0.58           |
| Rows Deep                                                                            |                | 3                | 3              | 4              | 4              |
| Fins per inch                                                                        |                | 12               | 12             | 12             | 12             |
| Face Velocity                                                                        | m/s            | 1.14             | 1.55           | 1.95           | 2.44           |
| <b>Reheat Section - Electric Reheat - finned tubular type heater, SCR controlled</b> |                |                  |                |                |                |
| Capacity                                                                             | kW             | 9                | 9              | 9              | 9              |
| Quantity of Heaters                                                                  |                | 3                | 3              | 3              | 3              |
| <b>Humidifier - Electrode boiler type, Serviceable Bottle</b>                        |                |                  |                |                |                |
| Steam Generation Capacity                                                            | kg/h           | 4.5              | 4.5            | 4.5            | 4.5            |
| Humidifier Power                                                                     | kW             | 3.4              | 3.4            | 3.4            | 3.4            |
| <b>Filter Section - Pleated disposable type</b>                                      |                |                  |                |                |                |
| Quantity of Filters                                                                  |                | 3                | 3              | 3              | 3              |
| Nominal Size                                                                         | LxWxD mm       | 610 x 457 x 51   | 610 x 457 x 51 | 610 x 457 x 51 | 610 x 457 x 51 |
| <b>Chilled-water Valve - 3-Way modulating</b>                                        |                |                  |                |                |                |
| Valve Size                                                                           | mm             | 25.4             | 25.4           | 25.4           | 25.4           |
| <b>Piping Connection Size</b>                                                        |                |                  |                |                |                |
| Chilled-water - ODM                                                                  | mm             | 29               | 29             | 29             | 29             |
| Humidifier Water - ODM                                                               | mm             | 6.4              | 6.4            | 6.4            | 6.4            |
| Condensate Drain- ODM                                                                | mm             | 19               | 19             | 19             | 19             |
| <b>Physical Details</b>                                                              |                |                  |                |                |                |
| Width x Depth x Height                                                               | mm             | 915 x 637 x 1880 |                |                |                |
| Weight                                                                               | kg             | 235              | 235            | 240            | 240            |

## Electrical Data (380V/3PH/50Hz)

### Air/Water/Glycol Cooled Systems\*†

| Model                     | 6 02 |      |     | 6 03 |      |     | 6 04 |      |     | 6 05 |      |     |
|---------------------------|------|------|-----|------|------|-----|------|------|-----|------|------|-----|
|                           | FLA  | MCA  | MFS | FLA  | MCA  | MFS | FLA  | MCA  | MFS | FLA  | MCA  | MFS |
| Reheat/Humidifier Option  |      |      |     |      |      |     |      |      |     |      |      |     |
| Electric (9kW)/Boiler     | 20.9 | 25.2 | 30  | 22.3 | 27.0 | 30  | 24.1 | 29.2 | 35  | 26.7 | 32.3 | 35  |
| Electric (9kW)/None       | 20.9 | 25.2 | 30  | 22.3 | 27.0 | 30  | 24.1 | 29.2 | 35  | 26.7 | 32.3 | 35  |
| Electric (6kW)/Boiler     | 16.5 | 19.7 | 25  | 17.9 | 21.4 | 25  | 19.7 | 23.7 | 25  | 22.3 | 26.7 | 30  |
| Electric (6kW)/None       | 16.5 | 19.7 | 25  | 17.9 | 21.4 | 25  | 19.7 | 23.7 | 25  | 22.3 | 26.7 | 30  |
| None, Non-electric/Boiler | 16.3 | 19.4 | 25  | 17.7 | 21.2 | 25  | 19.5 | 23.4 | 25  | 22.1 | 26.5 | 30  |
| None, Non-electric/None   | 7.3  | 8.3  | 15  | 8.7  | 10.0 | 15  | 10.5 | 12.3 | 20  | 13.1 | 15.3 | 25  |

### Chilled Water Systems\*

| Model 6                      | CU/CD02 |      |     | 6CU/CD03 |      |     | 6CU/CD04 |      |     | 6CU/CD05 |      |     |
|------------------------------|---------|------|-----|----------|------|-----|----------|------|-----|----------|------|-----|
|                              | FLA     | MCA  | MFS | FLA      | MCA  | MFS | FLA      | MCA  | MFS | FLA      | MCA  | MFS |
| Reheat/Humidifier Option     |         |      |     |          |      |     |          |      |     |          |      |     |
| Electric (9kW)/Boiler        | 24.9    | 28.4 | 30  | 24.9     | 28.4 | 30  | 24.9     | 28.4 | 30  | 25.7     | 29.4 | 35  |
| Electric (9kW)/None          | 15.9    | 19.5 | 25  | 15.9     | 19.5 | 25  | 15.9     | 19.5 | 25  | 16.7     | 20.5 | 25  |
| Electric (6kW)/Boiler        | 20.4    | 22.8 | 25  | 20.4     | 22.8 | 25  | 20.4     | 22.8 | 25  | 21.2     | 23.8 | 25  |
| Electric (6kW)/None          | 11.5    | 13.9 | 15  | 11.5     | 13.9 | 15  | 11.5     | 13.9 | 15  | 12.3     | 14.9 | 20  |
| None, Non-electric/Boiler 11 | .3      | 13.7 | 15  | 11.3     | 13.7 | 15  | 11.3     | 13.7 | 15  | 12.1     | 14.7 | 20  |
| None, Non-electric/None      | 2.3     | 2.5  | 15  | 2.3      | 2.5  | 15  | 2.3      | 2.5  | 15  | 3.1      | 3.5  | 15  |

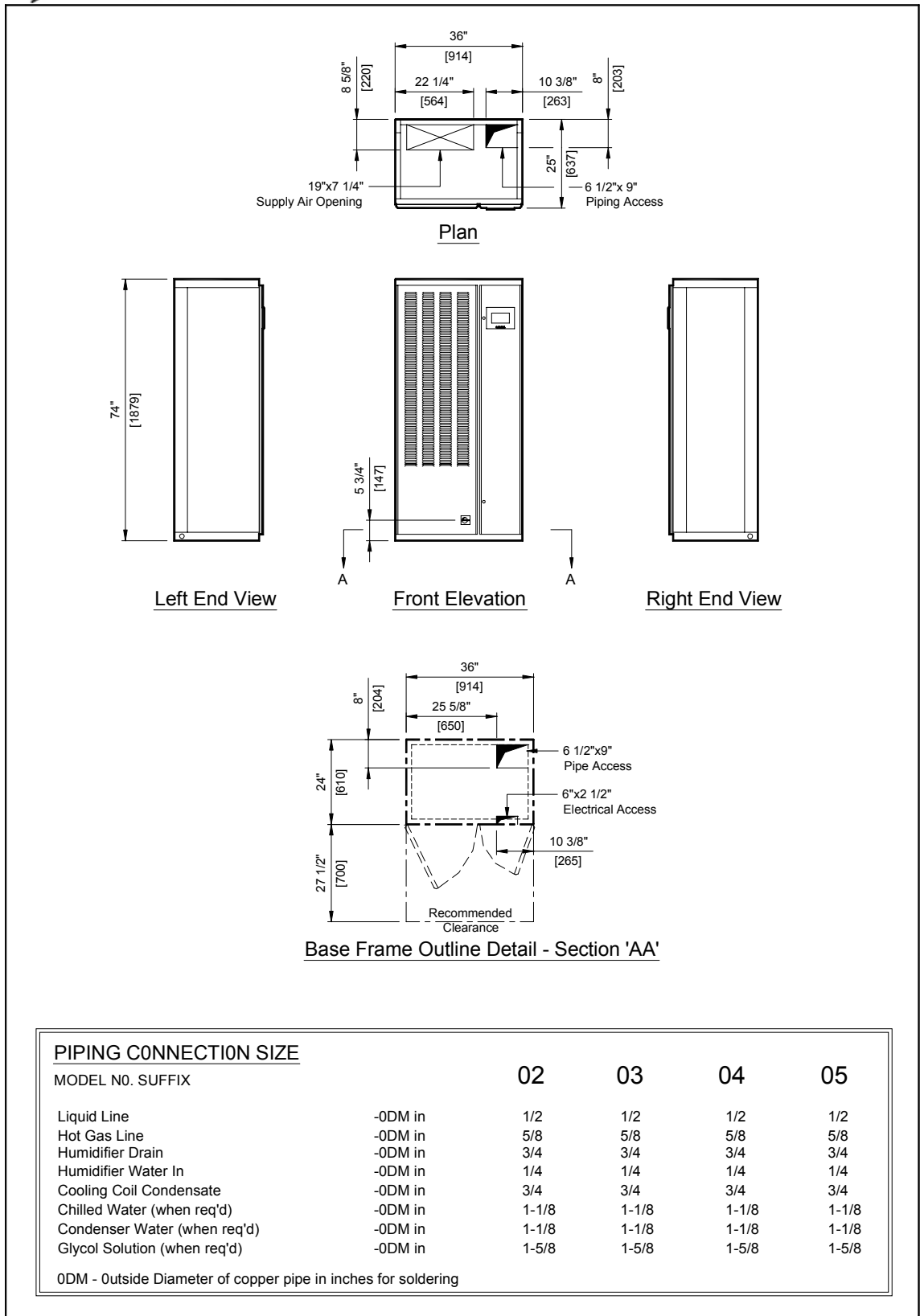
- † Above FLA does not include air-cooled condenser amps.
- FLA is based on full load current of individual components that result in maximum electrical load condition during normal operation.  
FLA = Full Load Amps, MCA = Minimum Circuit Ampacity, MFS = Maximum Fuse Size

## ***Dimensional Drawings***

| <b><u>Drawing Title</u></b>               | <b><u>Drawing Number</u></b> | <b><u>Page No.</u></b> |
|-------------------------------------------|------------------------------|------------------------|
| Upflow System                             | S6DD101                      | 13                     |
| Downflow System                           | S6DD102                      | 14                     |
| Upflow System with Ducted Return Plenum   | S6DD103                      | 15                     |
| Downflow System with Ducted Return Plenum | S6DD104                      | 16                     |



**SERIES 6 - VERTICAL FLOOR MOUNT UPFLOW UNIT  
DIMENSIONAL DETAIL**

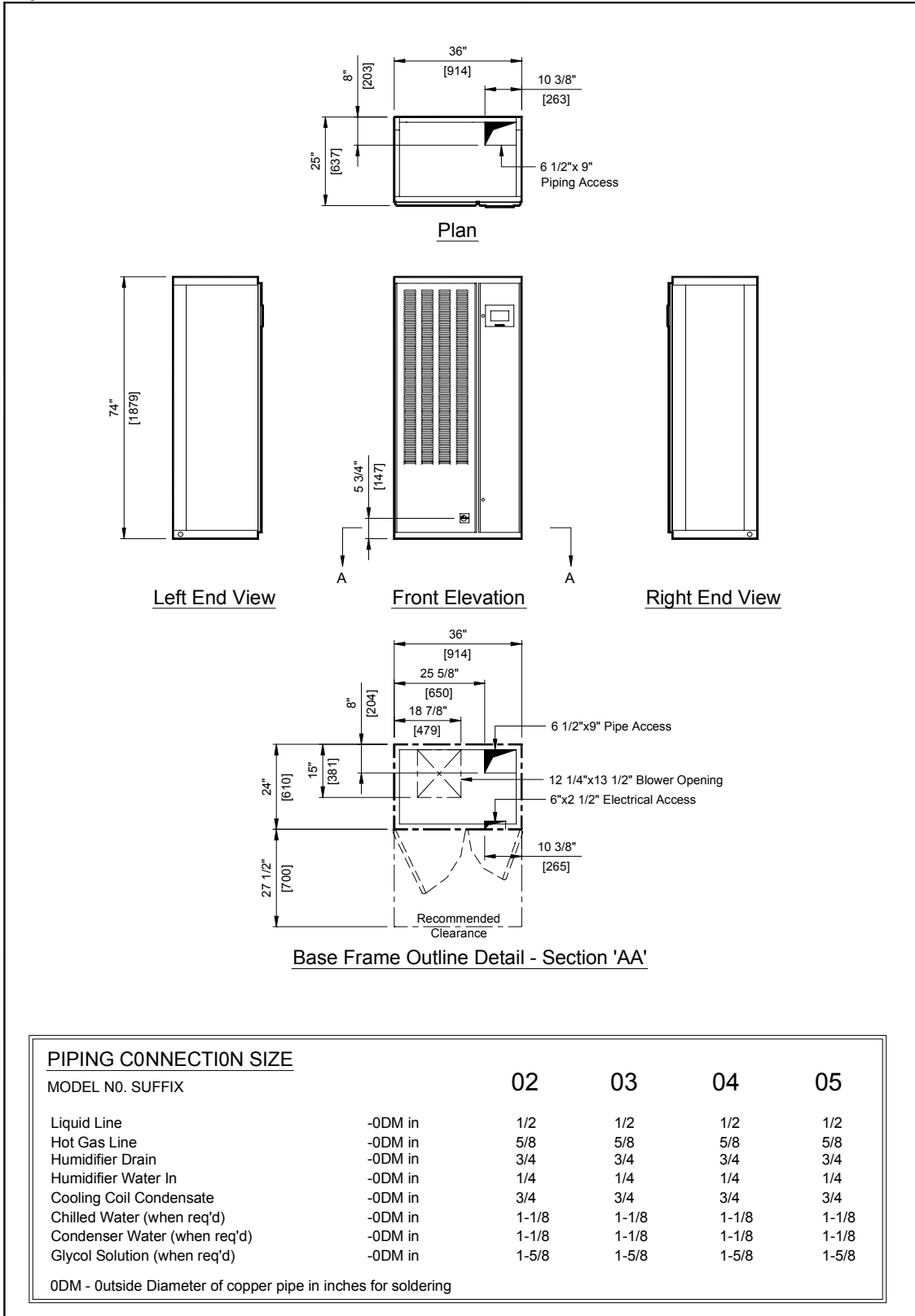


| PIPING CONNECTION SIZE       |         | 02    | 03    | 04    | 05    |
|------------------------------|---------|-------|-------|-------|-------|
| MODEL NO. SUFFIX             |         |       |       |       |       |
| Liquid Line                  | -ODM in | 1/2   | 1/2   | 1/2   | 1/2   |
| Hot Gas Line                 | -ODM in | 5/8   | 5/8   | 5/8   | 5/8   |
| Humidifier Drain             | -ODM in | 3/4   | 3/4   | 3/4   | 3/4   |
| Humidifier Water In          | -ODM in | 1/4   | 1/4   | 1/4   | 1/4   |
| Cooling Coil Condensate      | -ODM in | 3/4   | 3/4   | 3/4   | 3/4   |
| Chilled Water (when req'd)   | -ODM in | 1-1/8 | 1-1/8 | 1-1/8 | 1-1/8 |
| Condenser Water (when req'd) | -ODM in | 1-1/8 | 1-1/8 | 1-1/8 | 1-1/8 |
| Glycol Solution (when req'd) | -ODM in | 1-5/8 | 1-5/8 | 1-5/8 | 1-5/8 |

ODM - Outside Diameter of copper pipe in inches for soldering



SERIES 6 - VERT. FLOOR MOUNT DOWNFLOW UNIT  
DIMENSIONAL DETAIL



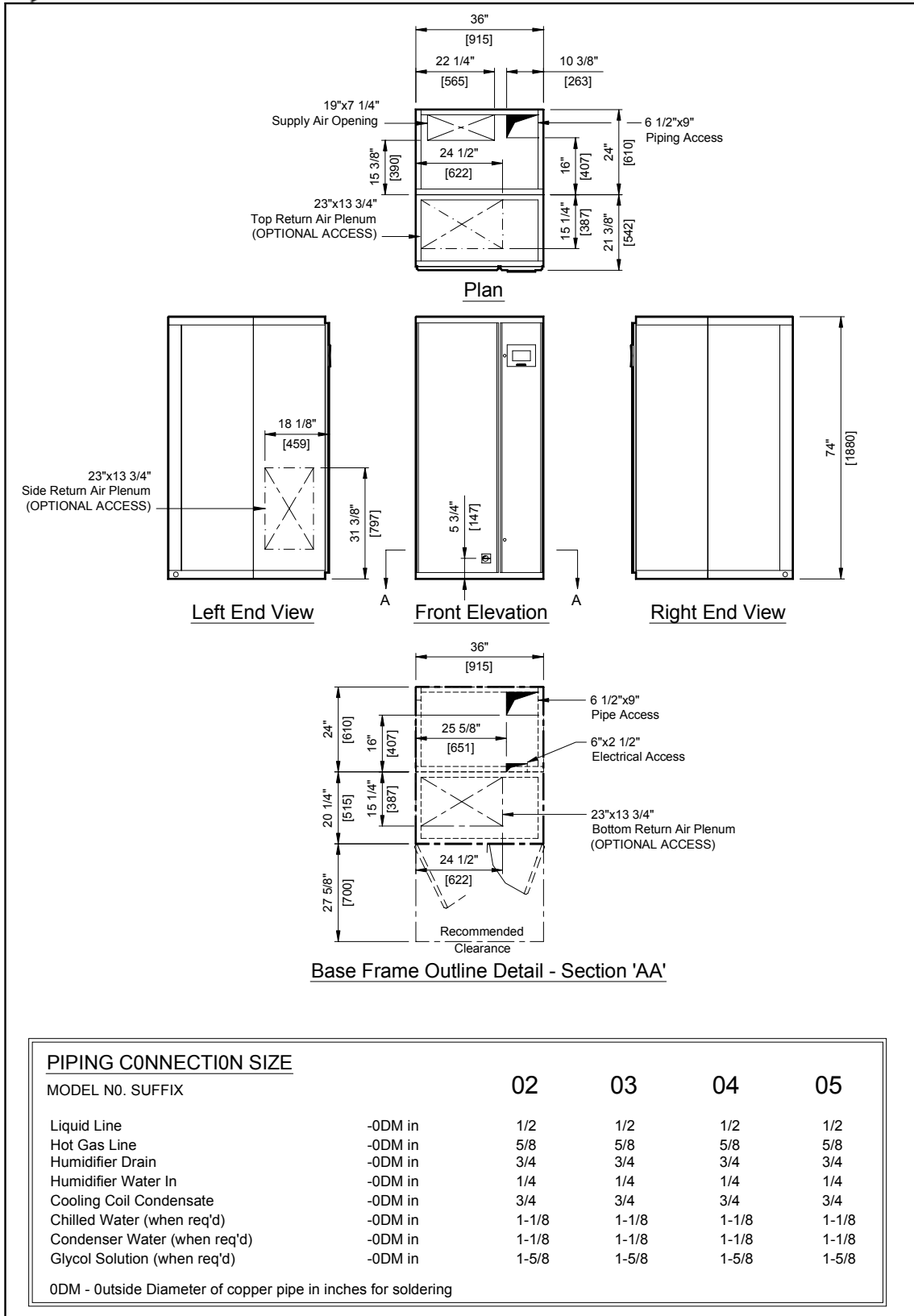
S6DD102A

25 JULY 2001

NOT TO SCALE



## SERIES 6 - VERT. FLOOR MOUNT UPFLOW UNIT DUCTED RETURN PLENUM DIMENSIONAL DETAIL



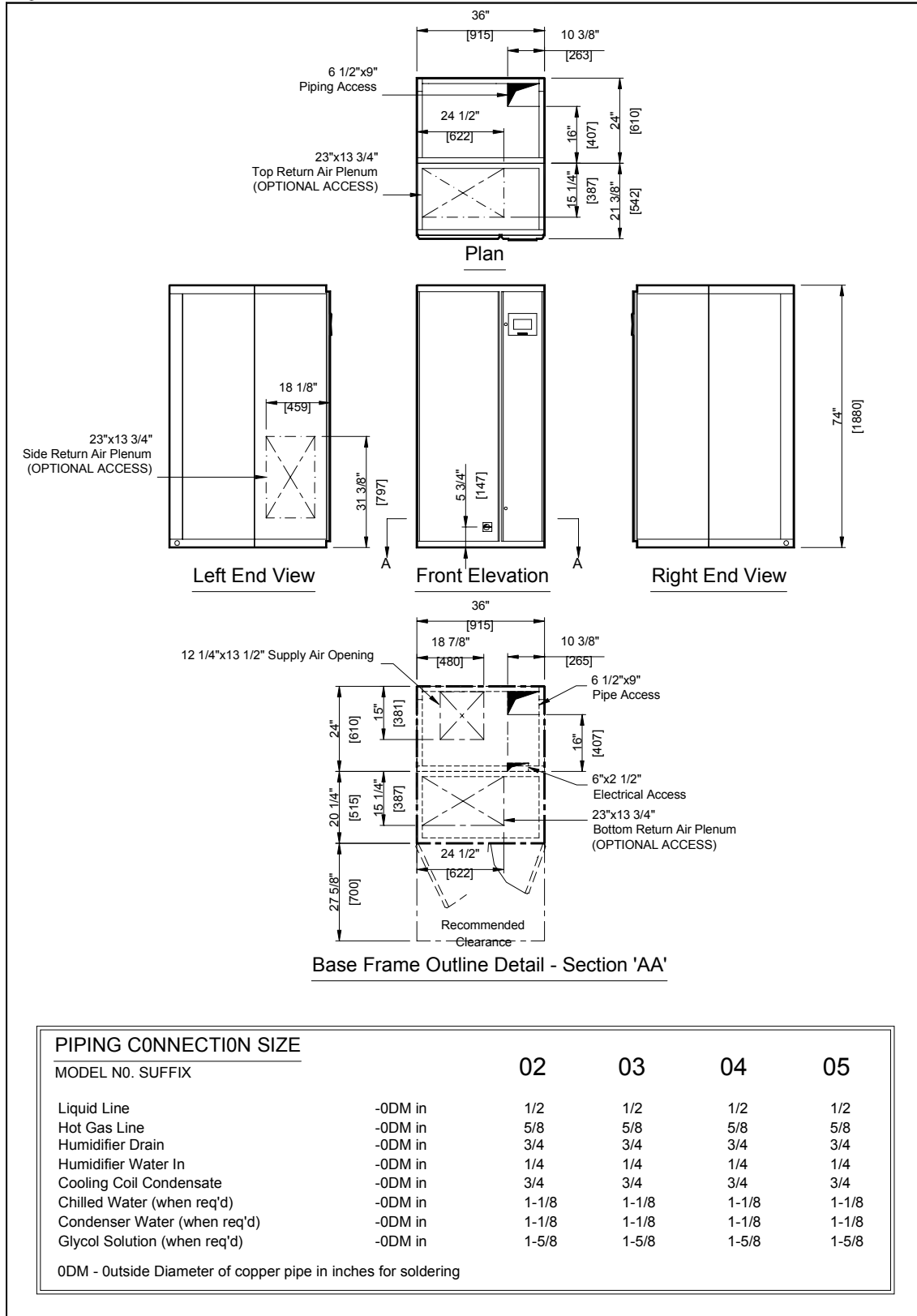
S6DD103A

30 JULY 2001

NOT TO SCALE



**SERIES 6 - VERT. FLOOR MOUNT DOWNFLOW UNIT  
DUCTED RETURN PLENUM DIMENSIONAL DETAIL**



**PIPING CONNECTION SIZE**

| MODEL NO. SUFFIX             |         | 02    | 03    | 04    | 05    |
|------------------------------|---------|-------|-------|-------|-------|
| Liquid Line                  | -ODM in | 1/2   | 1/2   | 1/2   | 1/2   |
| Hot Gas Line                 | -ODM in | 5/8   | 5/8   | 5/8   | 5/8   |
| Humidifier Drain             | -ODM in | 3/4   | 3/4   | 3/4   | 3/4   |
| Humidifier Water In          | -ODM in | 1/4   | 1/4   | 1/4   | 1/4   |
| Cooling Coil Condensate      | -ODM in | 3/4   | 3/4   | 3/4   | 3/4   |
| Chilled Water (when req'd)   | -ODM in | 1-1/8 | 1-1/8 | 1-1/8 | 1-1/8 |
| Condenser Water (when req'd) | -ODM in | 1-1/8 | 1-1/8 | 1-1/8 | 1-1/8 |
| Glycol Solution (when req'd) | -ODM in | 1-5/8 | 1-5/8 | 1-5/8 | 1-5/8 |

ODM - Outside Diameter of copper pipe in inches for soldering